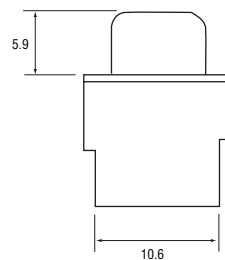
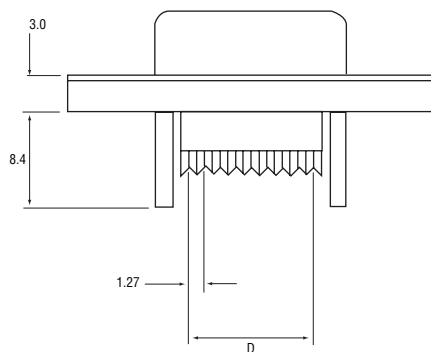
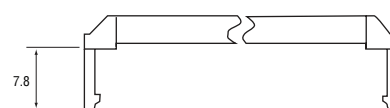
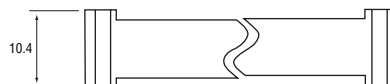
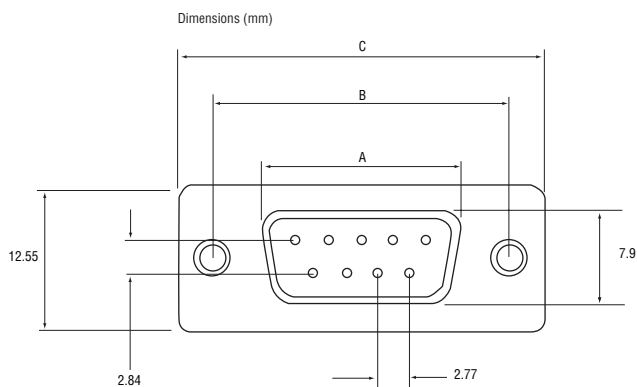


Order code	No. of ways	Dimensions			
		A	B	C	D
19-0410	09	16.92	24.99	30.81	10.16
19-0415	15	25.50	33.32	39.42	17.78
19-0400	25	38.95	47.04	53.34	30.48



Specifications

Contact resistance	30mΩ max. at 100mA DC
Insulation resistance	1000MΩ min.
Current rating	1 Amp
Dielectric withstanding voltage	500V for 1 minute
Operating temperature	-55°C to +105°C
Contact material	Brass
Single contact insertion force	500g max.
Single contact withdrawal force	30g min.