



### Features:

- Universal / Full range AC input
- Fixed AC mains lead (bare ends)
- Class II power (no earth)
- Small & Compact design
- Built-in wall-mounting tabs
- Cost effective and high reliability
- Protections: Over Voltage, Short circuit & Over Temp.
- Approvals: CE
- Level V ErP/EuP efficiency compliant
- MTBF >50,000 hours
- 1 Year Warranty



Output Characteristics			
Part Number	T4456ST	T4457ST	T4458ST
Rated Voltage	12Vdc	12Vdc	12Vdc
Voltage Range	11.4 - 12.6Vdc	11.4 - 12.6Vdc	11.4 - 12.6Vdc
Current Max.	1A	1.5A	2.0A
Current Min.	0A	0A	0A
Power (watts)	12W	18W	24W
Line Regulation	+/-1%	+/-1%	+/-1%
Load Regulation	+/-5%	+/-5%	+/-5%
Ripple & Noise (mV p-p)	<120mV	<300mV	<300mV
Protections	Over Current: Current Limiting over 100-150% Short Circuit: Output shut down and auto restart (Hiccup) Temperature: No ignition, smoke or deformation of the case		
Case Size (See below)	81 x 37 x 30mm	81 x 37 x 30mm	81 x 37 x 30mm
Weight (approx.)	210g	220g	240g
DC Cord	1.8 Metre	1.8 Metre	1.8 Metre
DC Plug (mm)	Straight 2.1 C+ve	Straight 2.1 C+ve	Straight 2.1 C+ve

Input Characteristics			
Rated Input Voltage	100-240Vac		
Full Input Voltage Range	90-264Vac		
Rated Frequency	50-60Hz		
Efficiency (min.)	>80%	>80%	>80%
Input Current (RMS Max.)	400mA	700mA	700mA
Input Power (no load)	<0.3W Max. (Level V ErP/EuP/CEC Compliant)		
AC Mains Lead	2 Metre bare ends	2 Metre bare ends	2 Metre bare ends

Safety, Mechanical and Other Characteristics	
Range Model Designations	SPA120XXX-SP (specified individually on each product label)
Hi-Pot Specification	3000Vac 10mA 1Min. (I.P. to O.P.)
Operating Temperature	0°C to 40°C
Storage Temperature	-10°C to 70°C
Operating Humidity	10% to 90%
Storage Humidity	5% to 90%
Safety Approvals	EN60065 / EN60950
EMI Standards	EN55022B
PB-free	Yes. RoHS Compliant
MTBF	50K Hours (mean time before failure)



## Stontronics Ltd

Chancerygate Business Centre, Cradock Road, Reading, Berkshire, RG2 0AH.

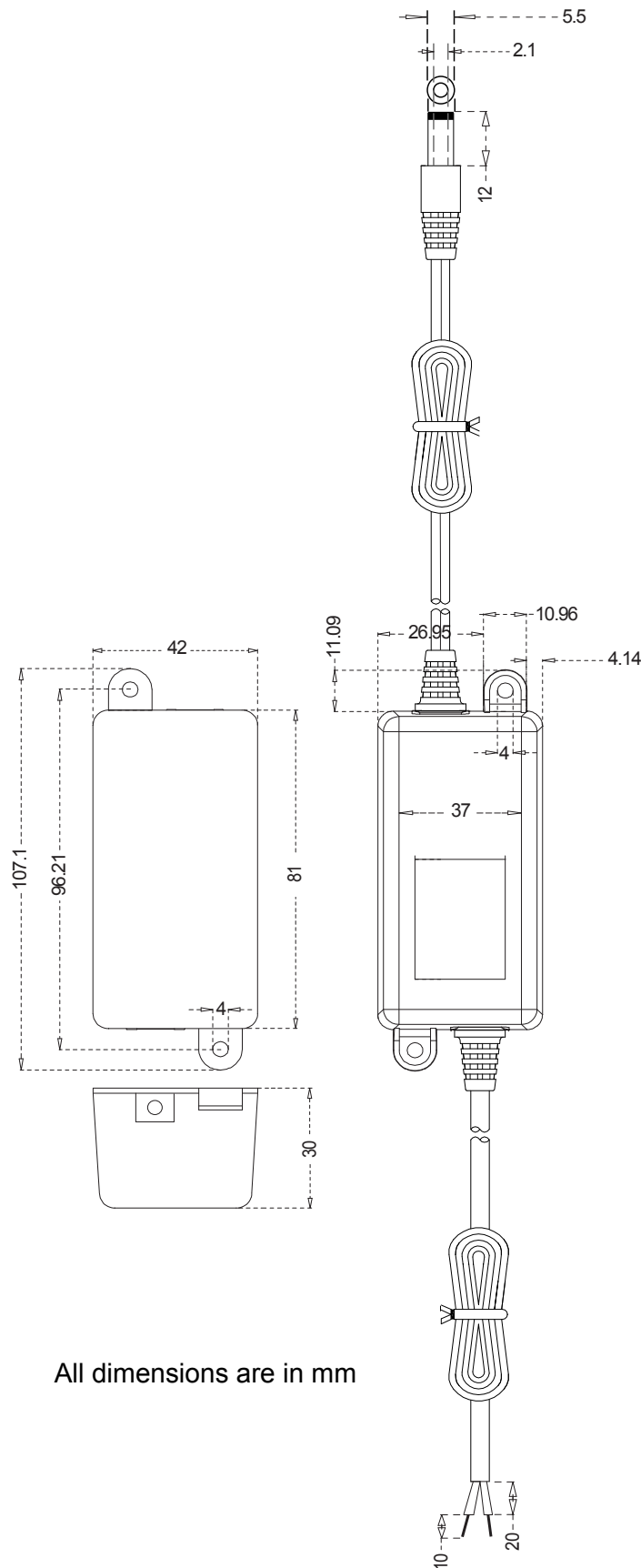
Tel: +44 (0) 118 931 1199 • Fax: +44 (0) 118 931 1145 • Email: info@stontronics.co.uk • Web: www.stontronics.co.uk

Please Note: Image shown is representative of entire range. Individual PSU image &/or drawings or data sheets available on request.

Stontronics Ltd accepts no responsibility for typographical errors in the production of this leaflet. Product specifications are subject to change without notice.

## Case Drawing:

- 81 x 37 x 30mm:



All dimensions are in mm