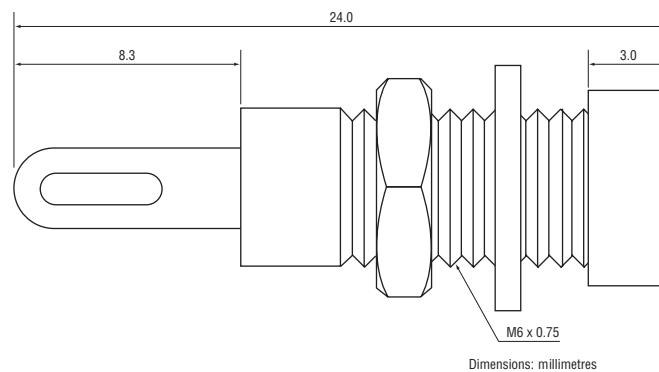
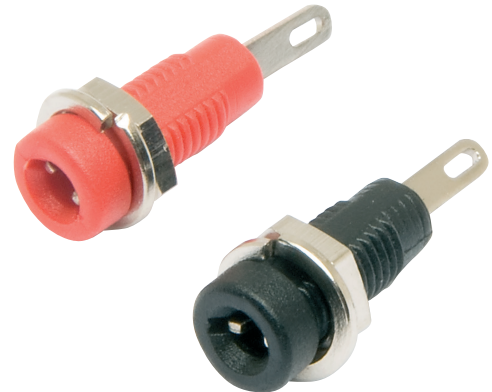


Features:

This product includes the following features:

Voltage rating:	AC:30V
Current rating:	24A
Connector type:	4mm Banana plug
Contact plating:	Nickel
Contact material:	Brass
Insulator material:	PVC
Length:	61.5mm Max
Cable diameter:	3.5mm
Mounting type:	Cable
Termination type:	Screw



Specifications:

Material: Brass body nickel plated with ABS housing.

Part Number Table:

Description	Order code
Socket, 2mm, Panel, Red	17-2891
Socket, 2mm, Panel, Black	17-2892