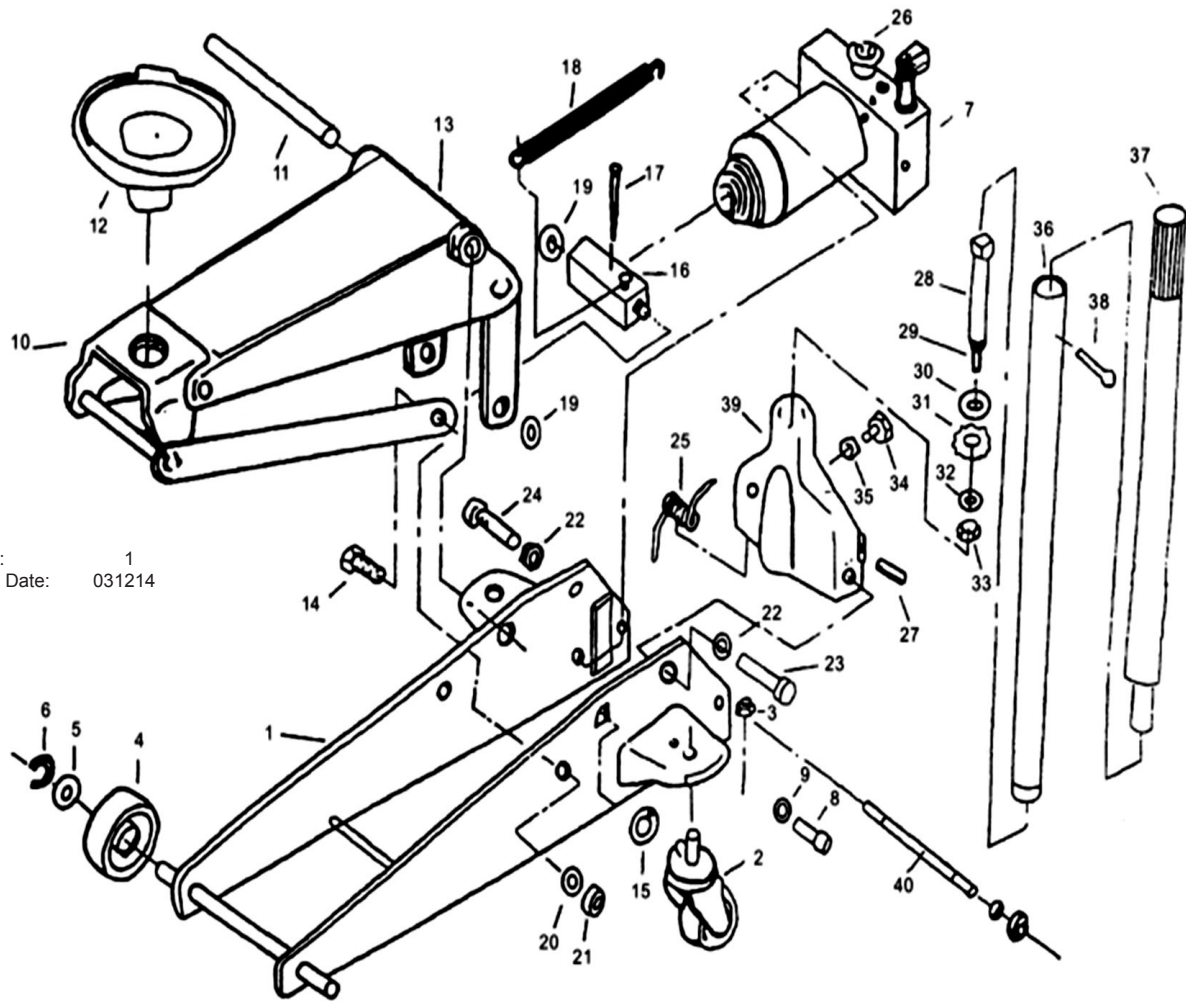




PARTS FOR:
TROLLEY JACK 2tonne SHORT CHASSIS
 MODEL: **1250CX.V2**



Issue: 1
 Issue Date: 031214

ITEM	PART NO	DESCRIPTION	ITEM	PART NO	DESCRIPTION
1	1250CX.V2-01	SIDE FRAME	21	1250CX.V2-21	HEX NUT
2	1250CX.V2-02	CASTOR ASS'Y	22	1250CX.V2-22	LOCK WASHER
3	1250CX.V2-03	LOCK NUT	23	1250CX.V2-23	BOLT
4	1250CX.V2-04	FRONT WHEEL	24	1250CX.V2-24	BOLT
5	1250CX.V2-05	WASHER	25	1250CX.V2-25	TORSION SPRING
6	1250CX.V2-06	RETAINING RING	26	1250CX.V2-26	VALVE GEAR
7	1250CX.V2-07	POWER UNIT ASS'Y	27	1250CX.V2-27	PLUNGER PIN
8	1250CX.V2-08	SOCKET HEAD CAP SCREW	28	1250CX.V2-28	GEAR SHAFT
9	1250CX.V2-09	LOCK WASHER	29	1250CX.V2-29	COTTER PIN
10	1250CX.V2-10	LIFT ARM ASS'Y	30	1250CX.V2-30	WASHER
11	1250CX.V2-11	SHAFT ARM	31	1250CX.V2-31	GEAR, HANDLE SOCKET
12	1250CX.V2-12	SADDLE	32	1250CX.V2-32	LOCK WASHER
13	1250CX.V2-13	GREASE FITTING	33	1250CX.V2-33	HEX NUT
14	1250CX.V2-14	LINK BOLT	34	1250CX.V2-34	HANDLE SOCKET BOLT
15	1250CX.V2-15	RETAINING RING	35	1250CX.V2-35	SPACER
16	1250CX.V2-16	LINK BOLT (RAM)	36	1250CX.V2-36	HANDLE, LOWER
17	1250CX.V2-17	COTTER PIN	37	1250CX.V2-37	HANDLE, UPPER
18	1250CX.V2-18	RETURN SPRING	38	1250CX.V2-38	HANDLE SCREW
19	1250CX.V2-19	RETAINING RING	39	1250CX.V2-39	HANDLE SOCKET
20	1250CX.V2-20	LOCK WASHER	40	1250CX.V2-40	HANDLE SOCKET AXLE

NOTE: It is our policy to continually improve products and as such we reserve the right to alter data, specifications and component parts without prior notice.

IMPORTANT: No liability is accepted for incorrect use of product.

WARRANTY: Guarantee is 12 months from purchase date, proof of which will be required for any claim.

INFORMATION: For a copy of our latest catalogue and promotions call us on 01284 757525 and leave your full name and address, including postcode.



Sole UK Distributor,
 Sealey Group, Kempson Way,
 Suffolk Business Park,
 Bury St Edmunds, Suffolk, IP32 7AR



01284 757500



01284 703534



www.sealey.co.uk



sales@sealey.co.uk