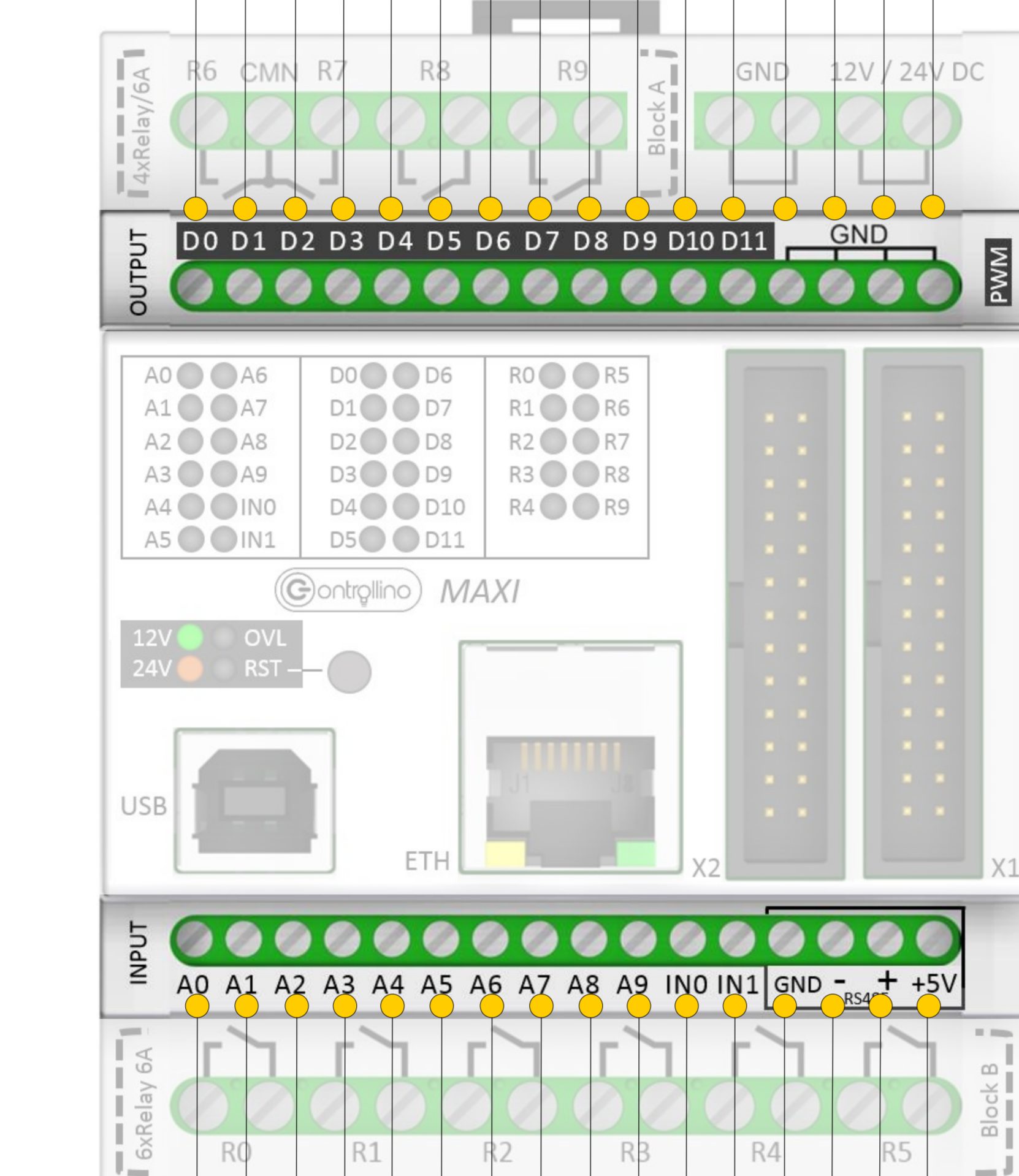
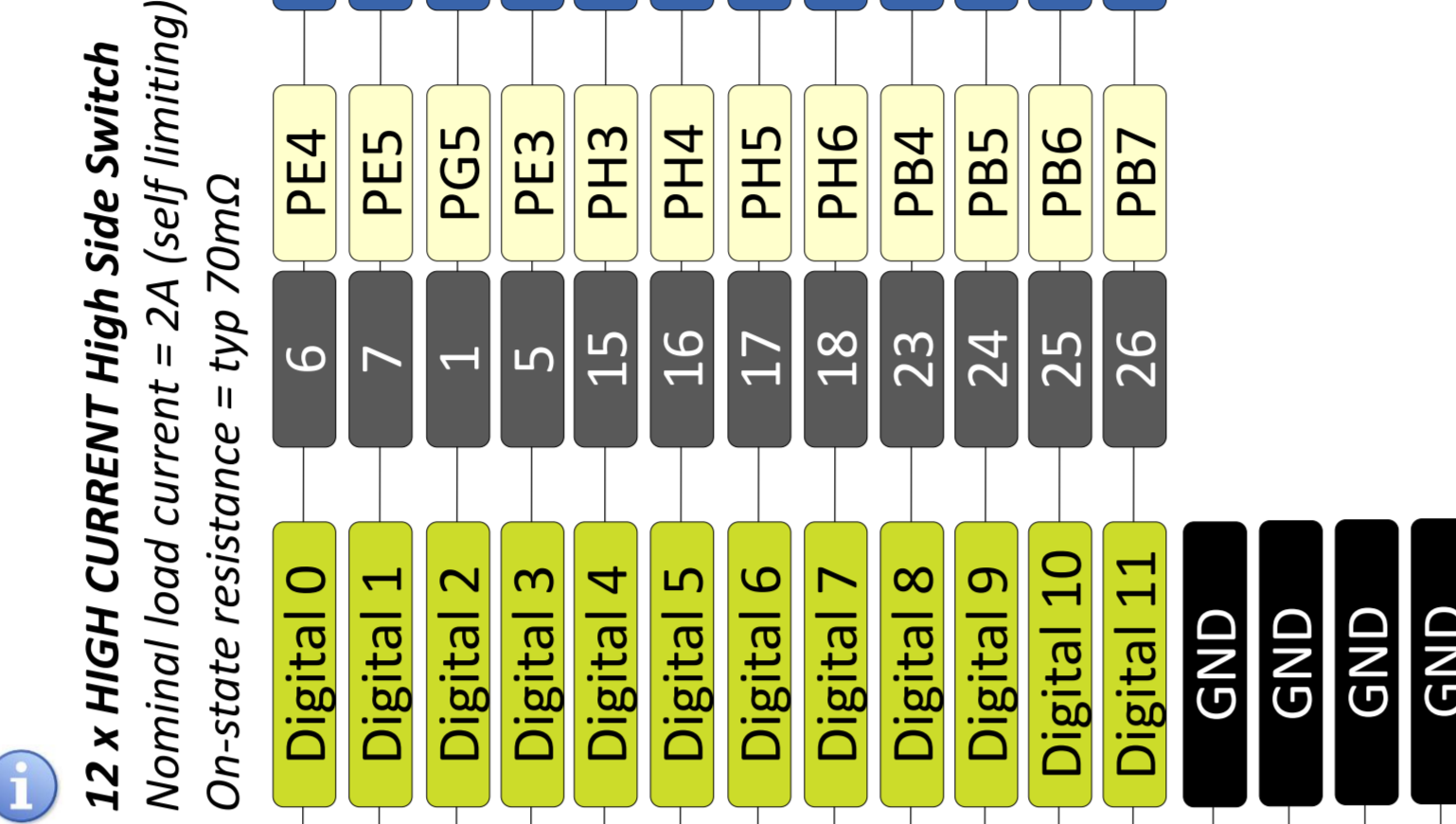
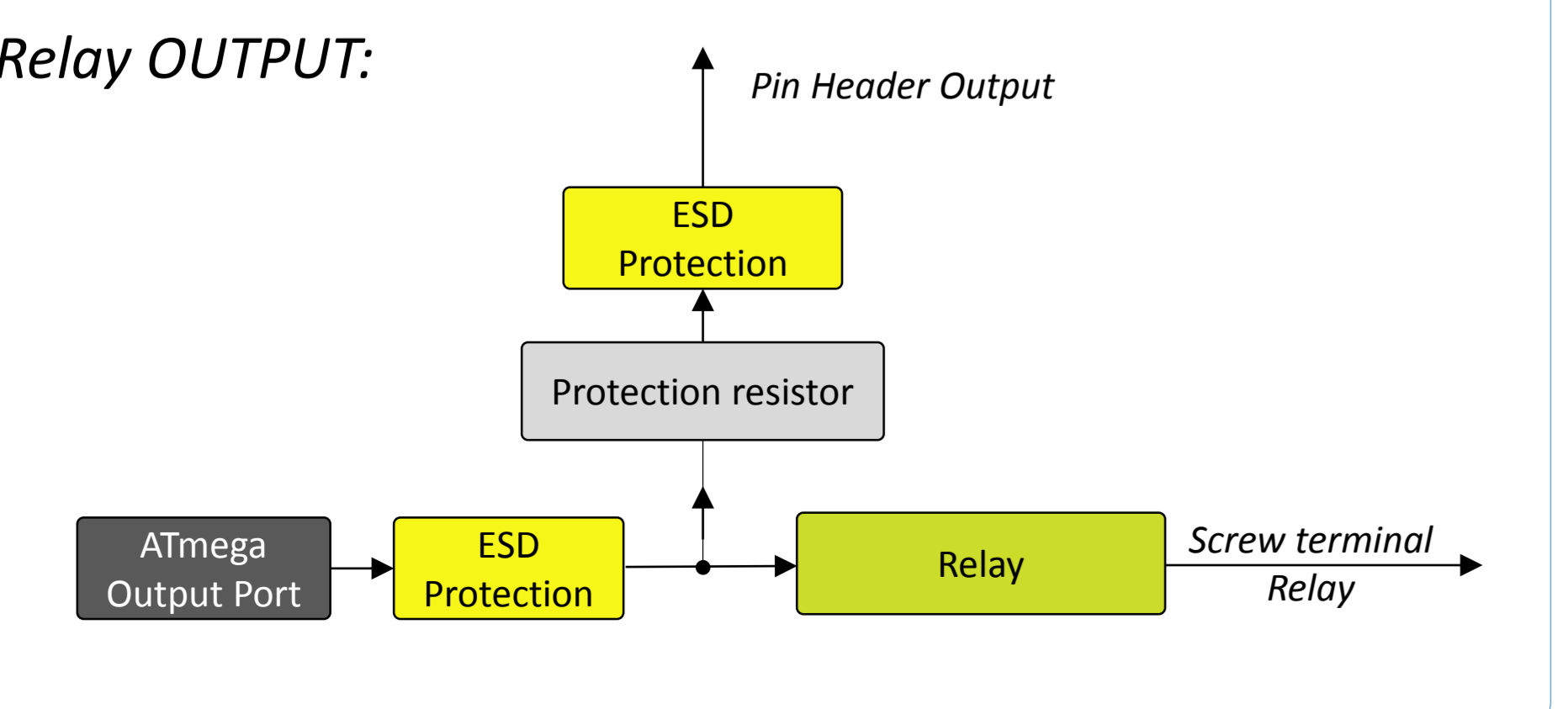
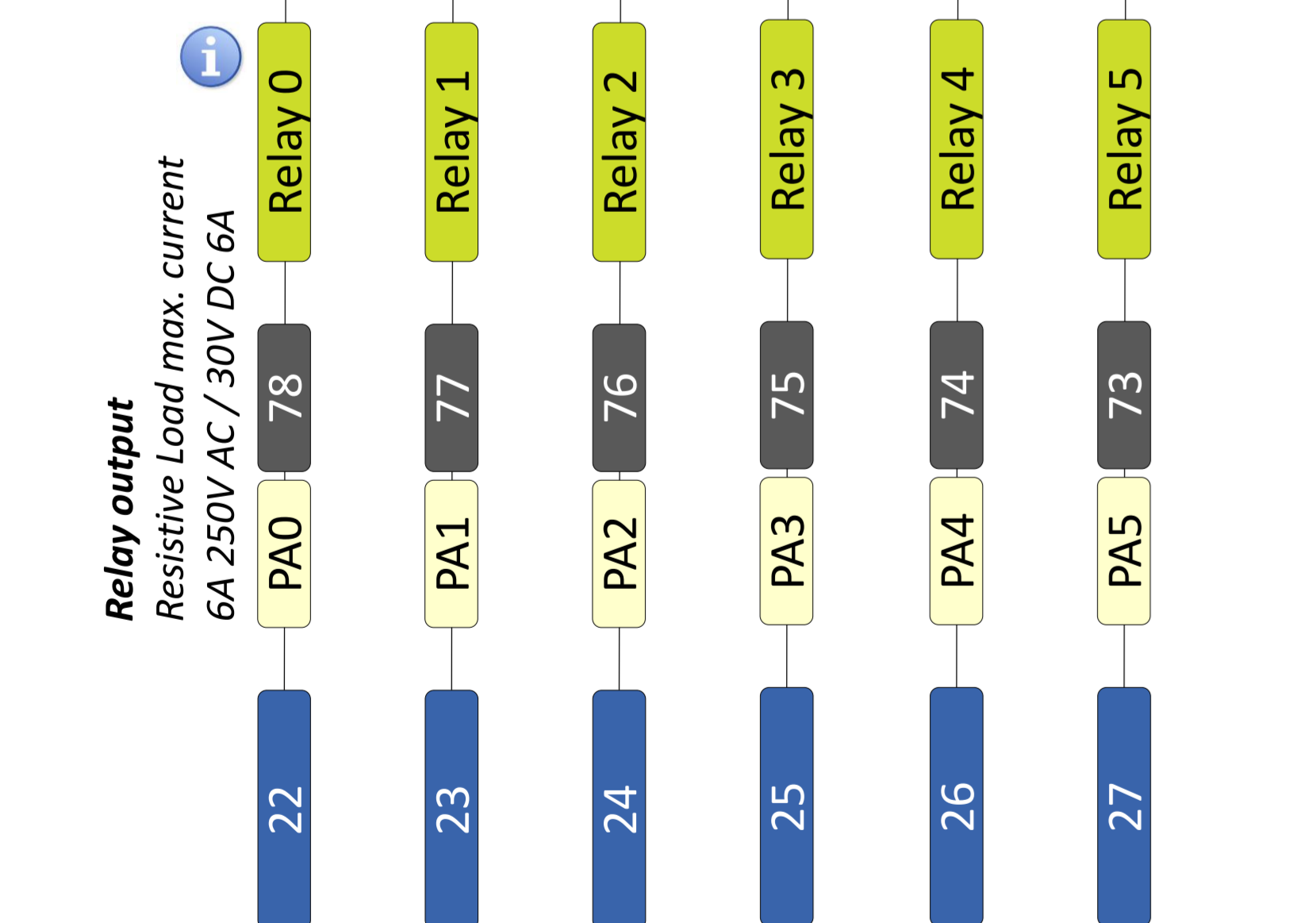
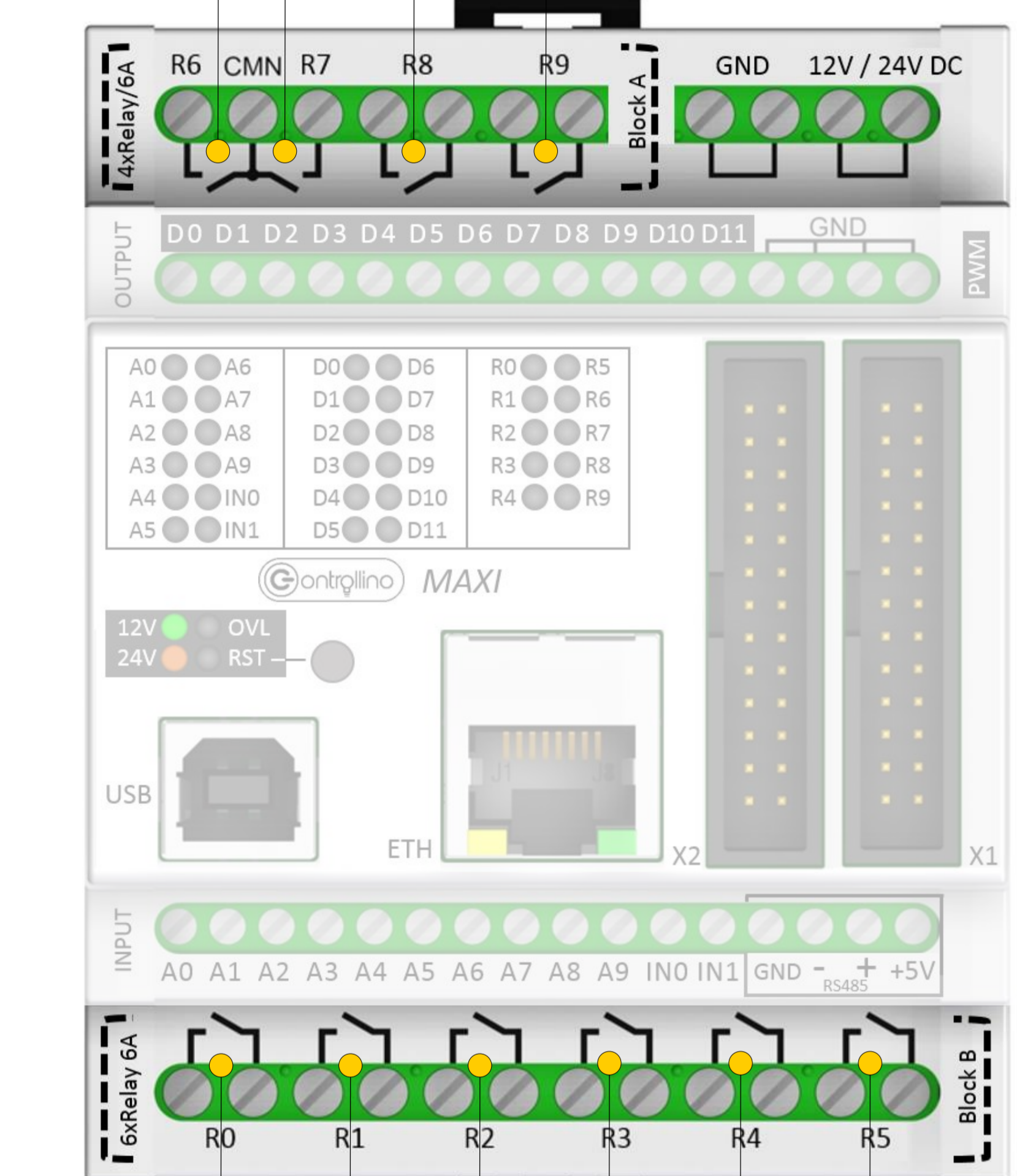
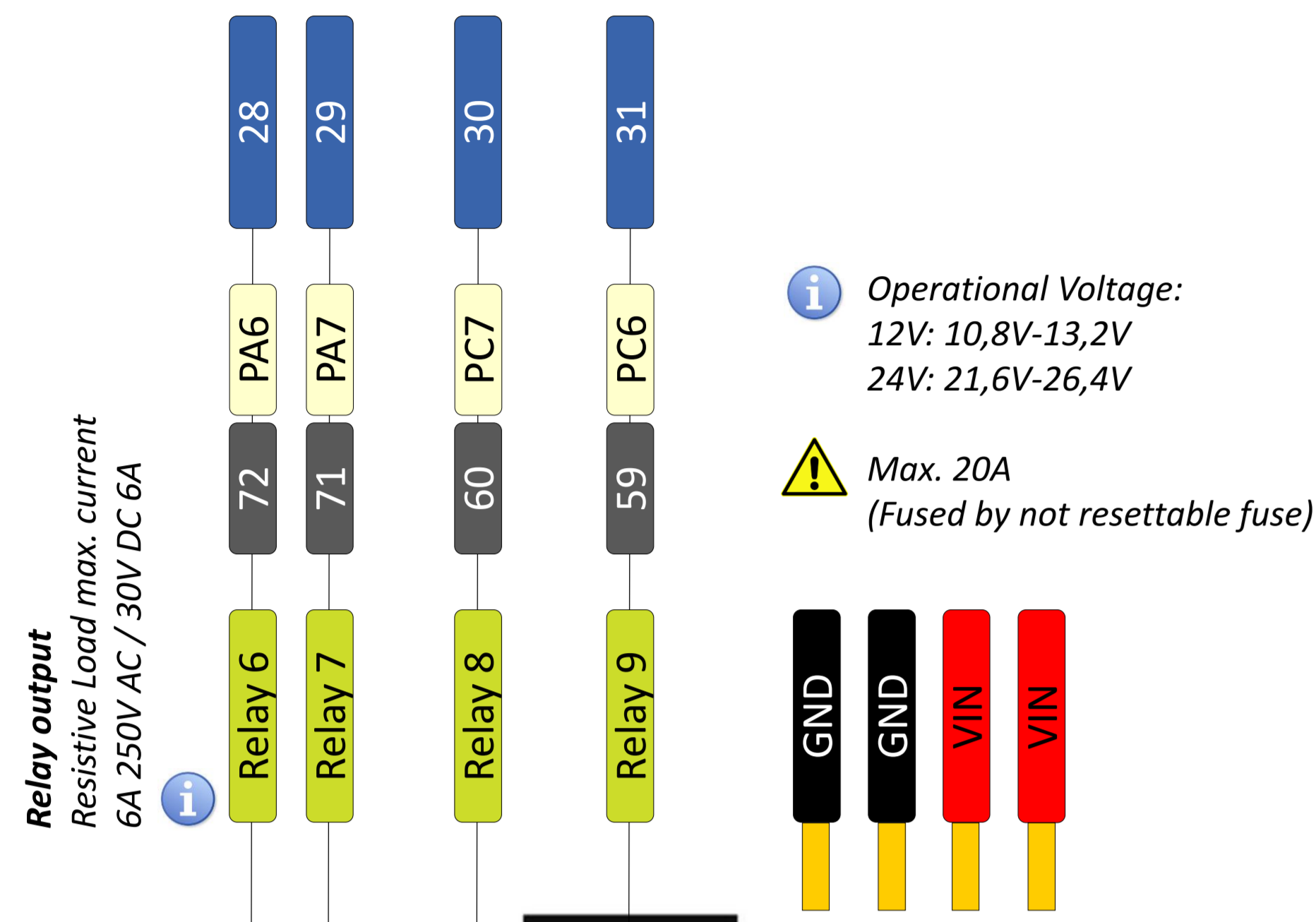
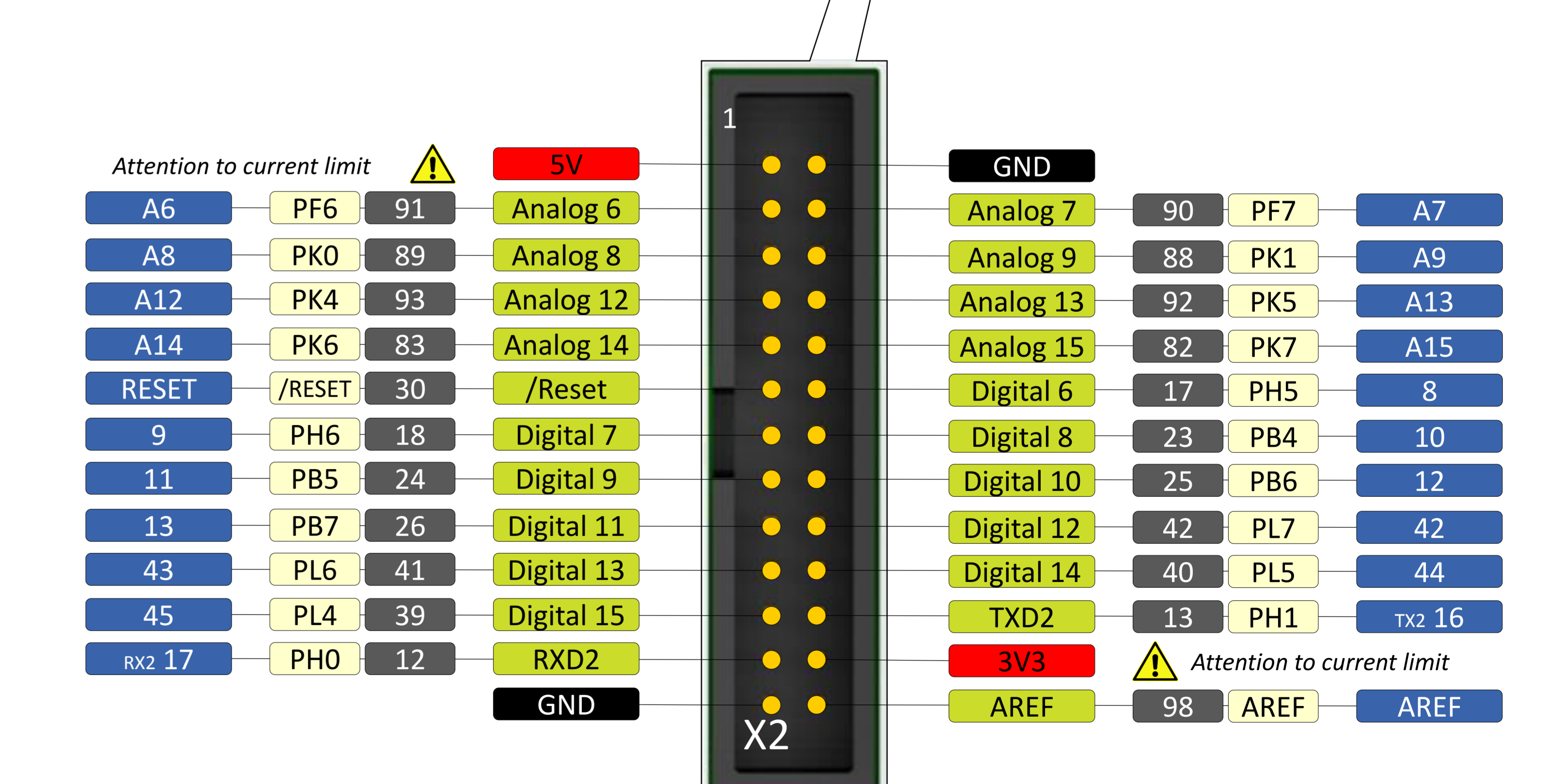
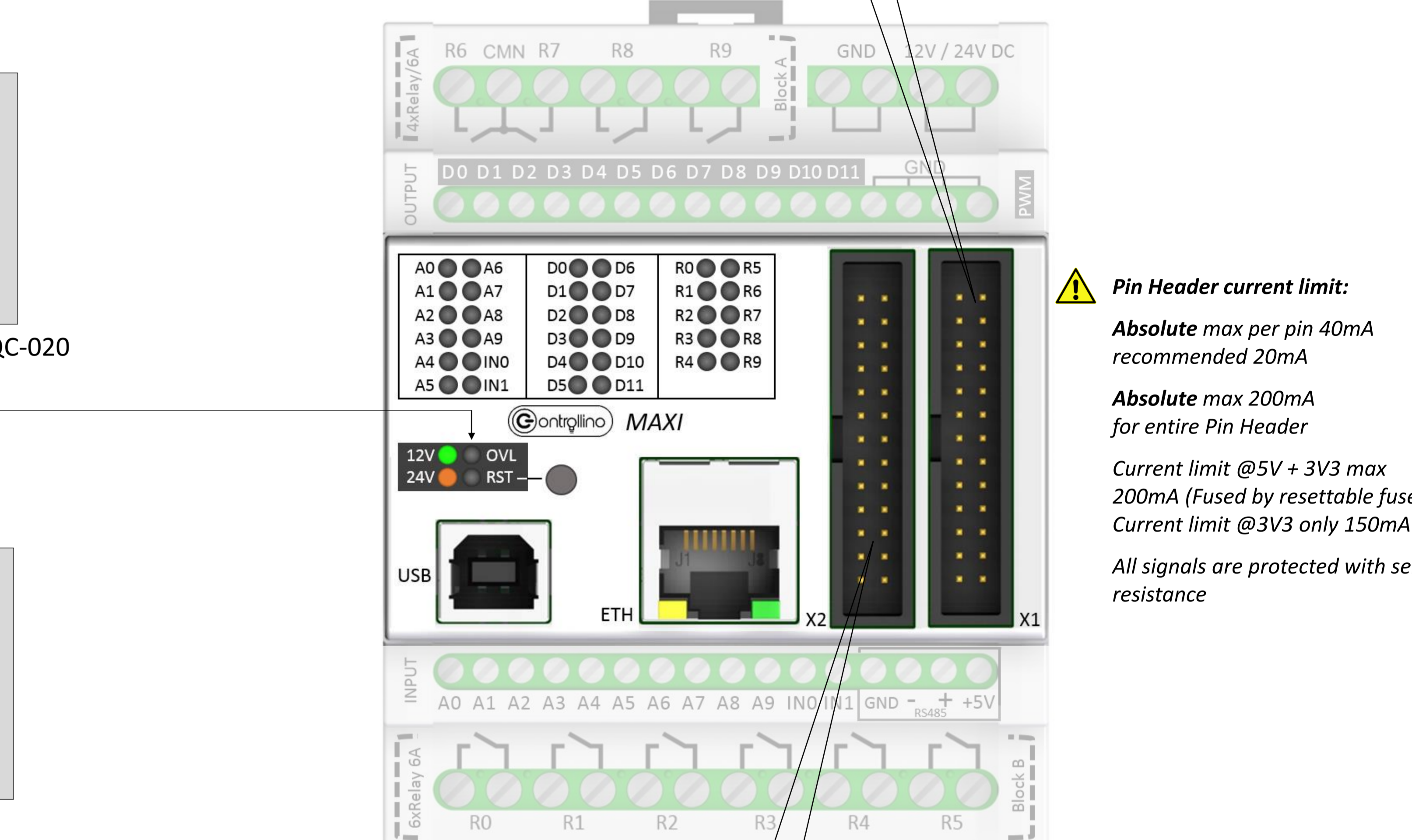
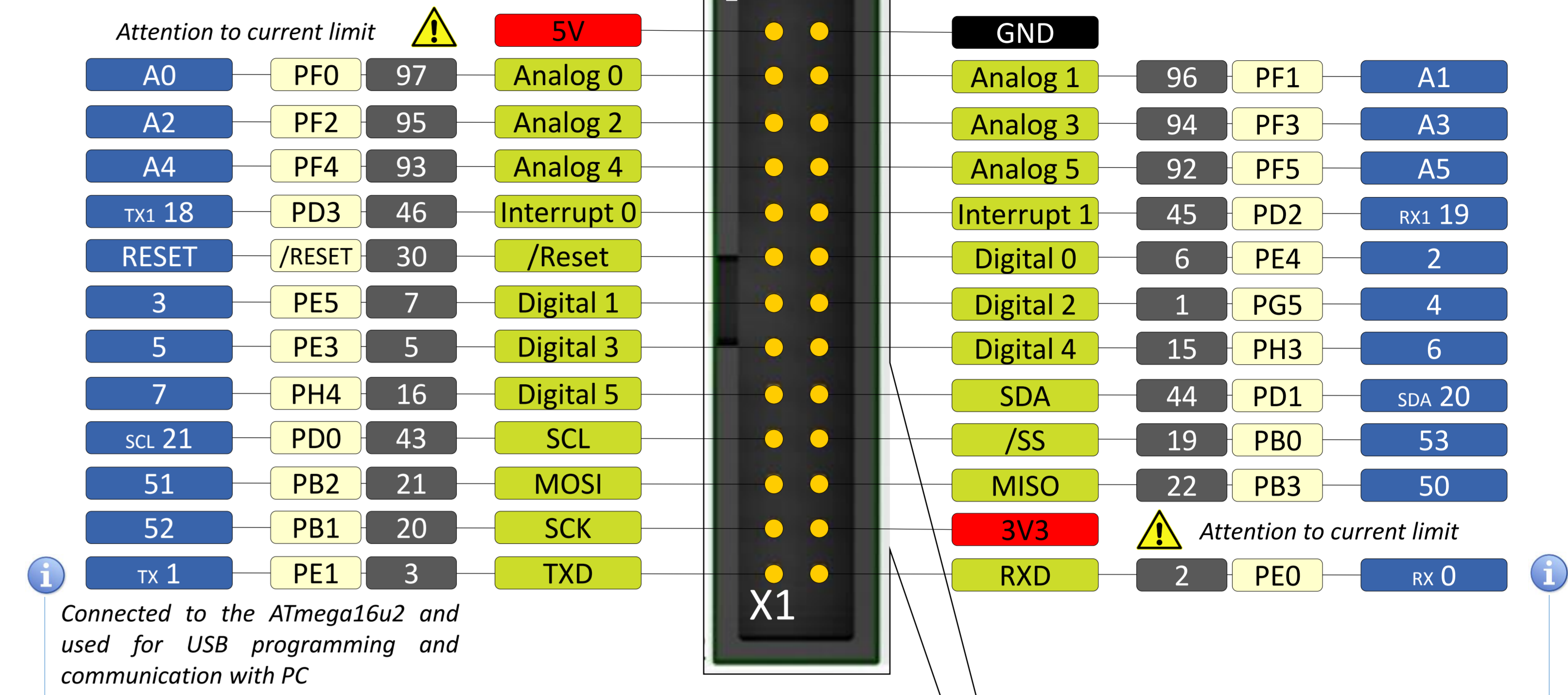
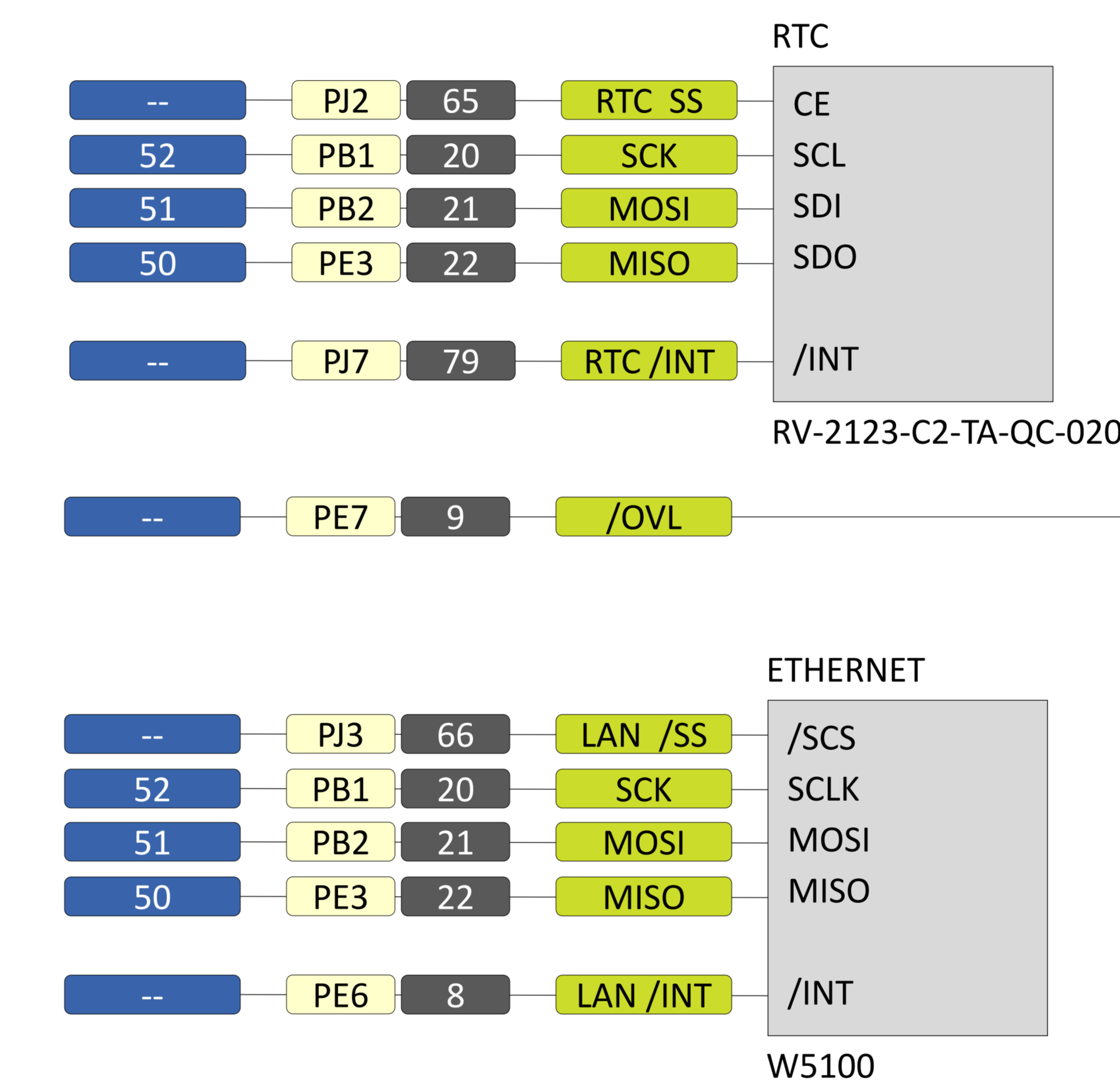
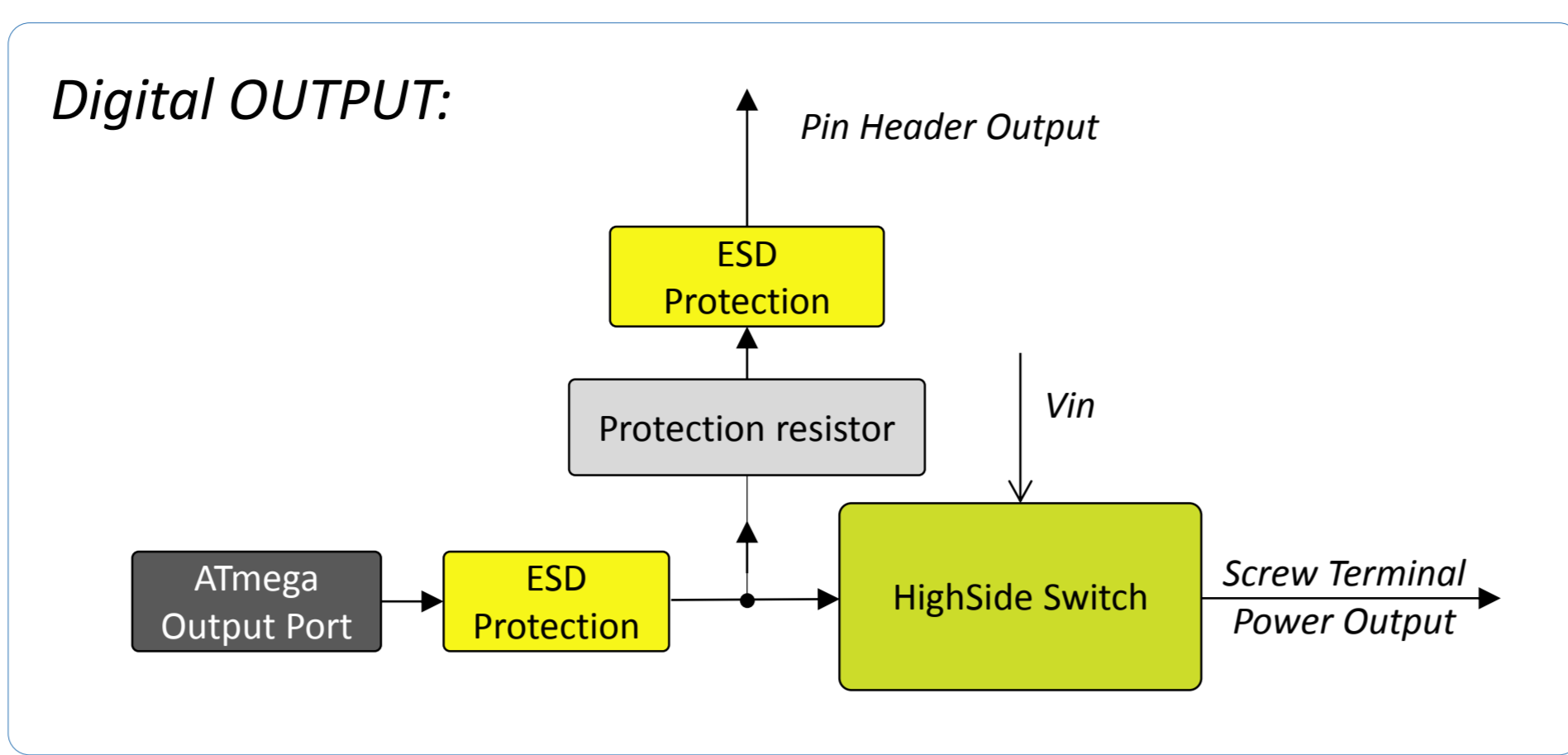
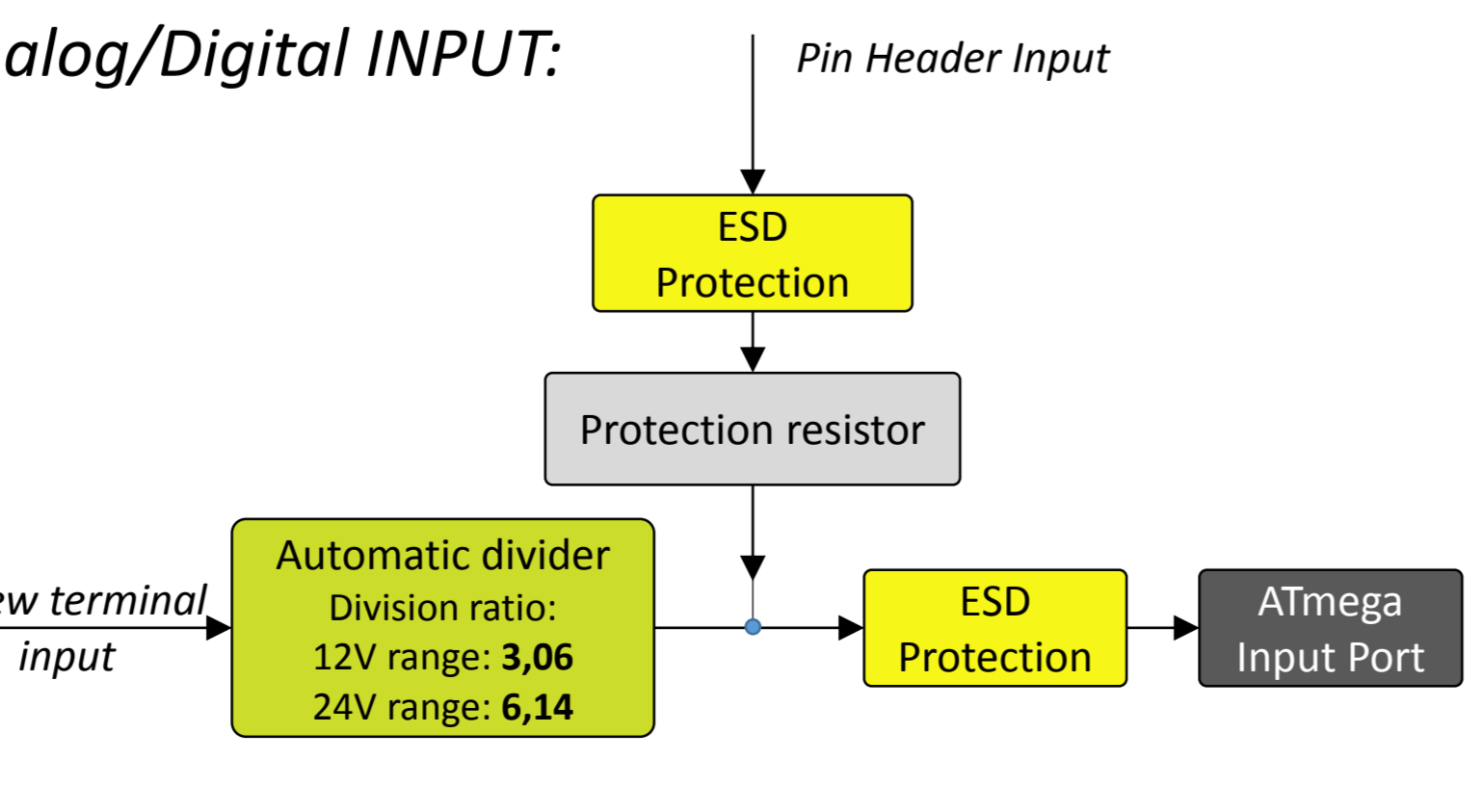
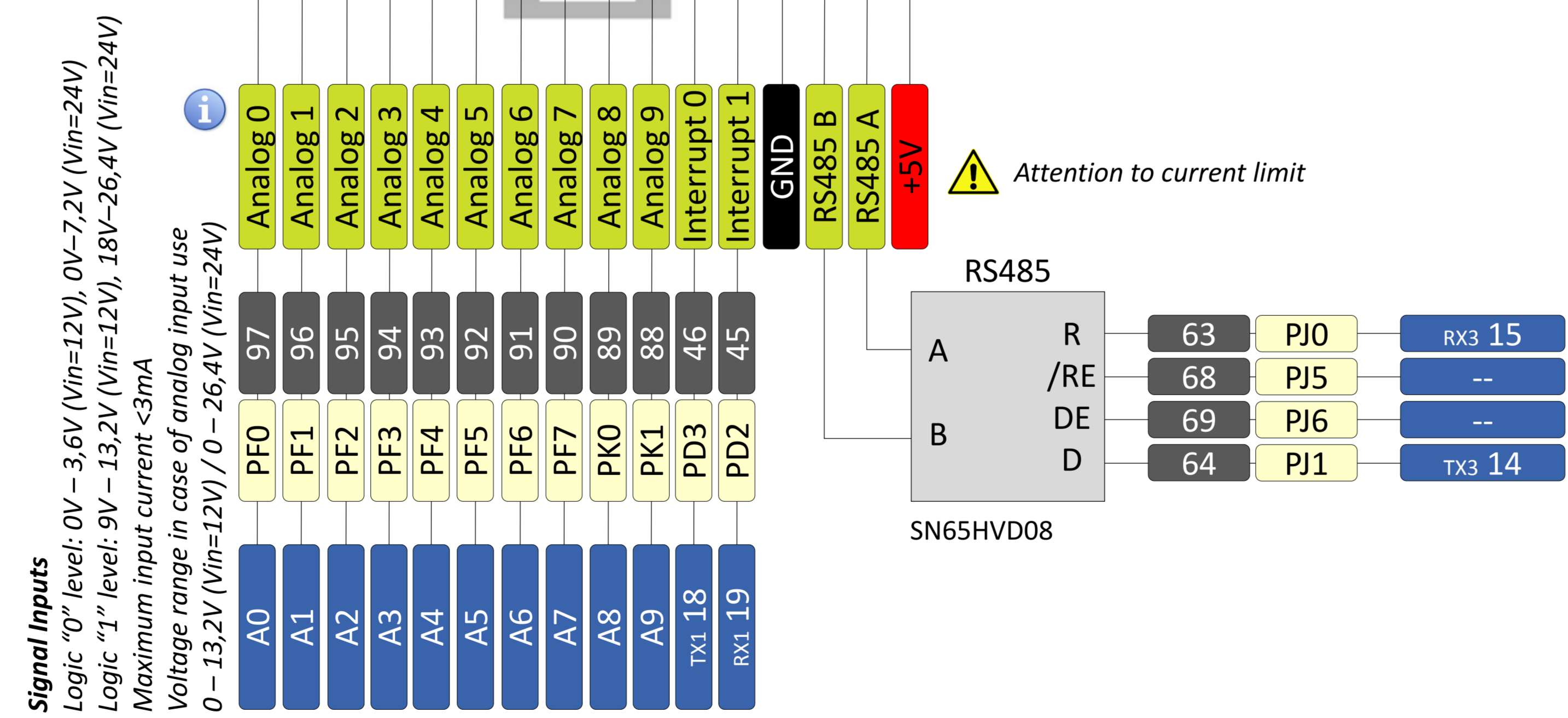




MAXI PINOUT V1.0



Signal Inputs
Logic "0" level: 0V - 3,6V (Vin=12V), 0V - 7,2V (Vin=24V)
Logic "1" level: 9V - 13,2V (Vin=12V), 18V - 26,4V (Vin=24V)
Maximum input current <3mA
Voltage range in case of analog input use
0 - 13,2V (Vin=12V) / 0 - 26,4V (Vin=24V)



Legend

- GND
- POWER
- CONTROLLINO Function
- PHYSICAL PIN
- PORT PIN
- ARDUINO Mega Board

General Information
Pay attention
CHIP used ATmega 2560-16AU