

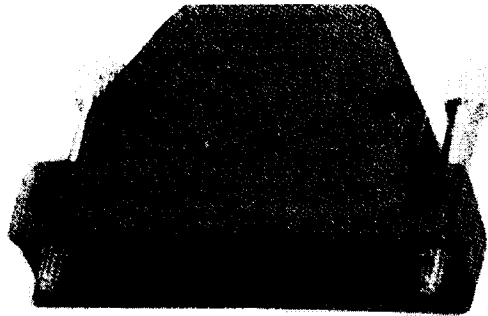
D connectors

Order code	Manufacturer code	Description
15-0310	n/a	25 WAY SCREWLOCK D COVER

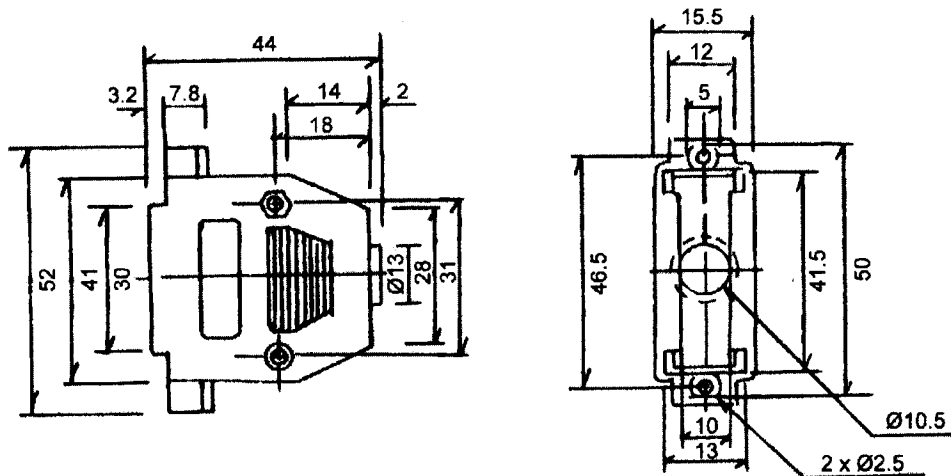
D connectors	Page 1 of 2
The enclosed information is believed to be correct, Information may change 'without notice' due to product improvement. Users should ensure that the product is suitable for their use. E. & O. E.	Revision A 04/07/2003

Screw lock 'D' connector covers

Photograph



Technical Drawing



Description

- Screw lock 'D' connector covers (2 Part) available in black ABS.
- Top cable entry type.
- Complete with cable clamp and long shank screw locks (finger grip & screwdriver slot).