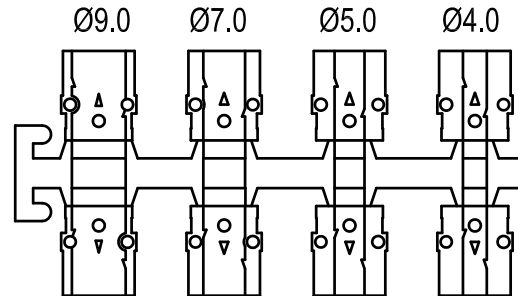
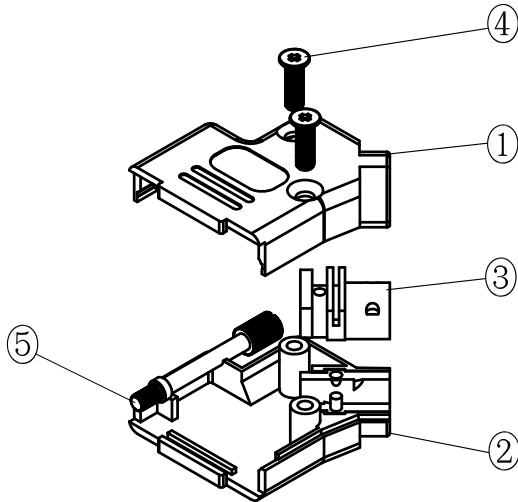
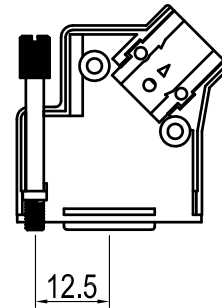
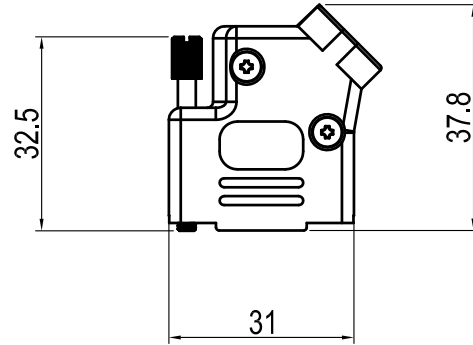
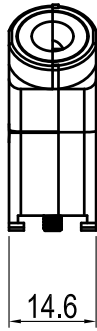


No.	Changes and/or Note No.	Date	Intr	No	Changes and/or Note No.	Date	Intr

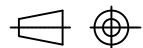


Part Number:	Description:	Pack:	1	1	Top MHD45ZK-9	Cover
6560-0106-11	MHD45ZK-9-K	SINGLE	2	1	Bottom MHD45ZK-9	Cover
6561-0106-11	MHD45ZK-9	BULK	3	1	D45ZK-D1	Grommet
			4	2	M3X10	Screw
			5	1	UNC 4-40X32.5	Jack screw
			6			
			7			
Item	QTY	Part Number	Description			

DATE: 2008-11-21	DRAWN: YGY	SCALE:	MATERIAL TYPE:
Auditing:	APPROVED: MRR		REPLACES:

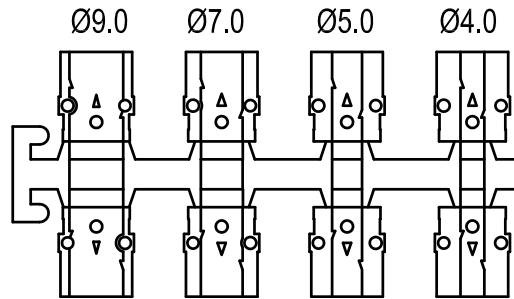
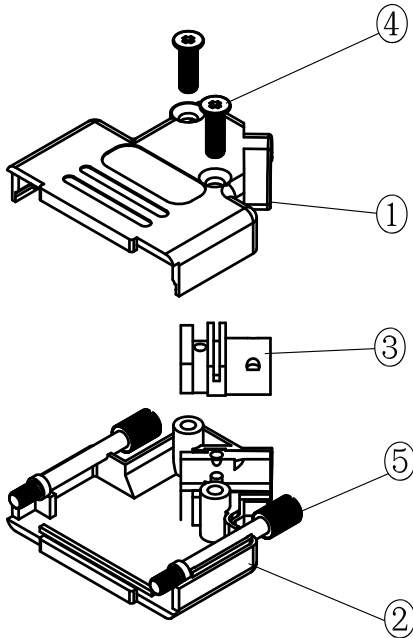
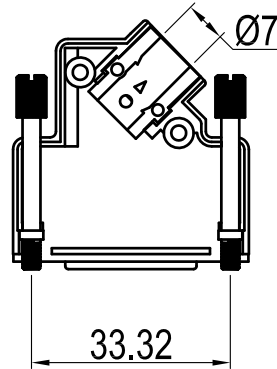
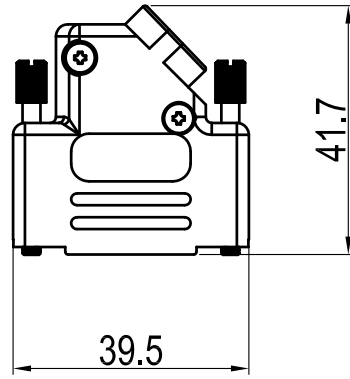
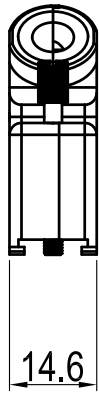





MHD45ZK-SERIES



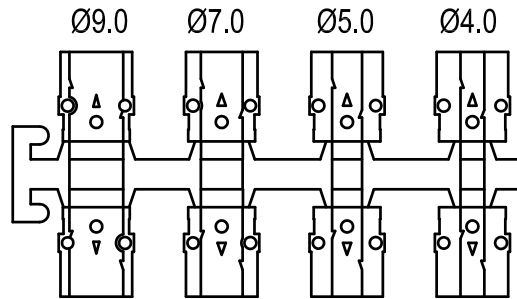
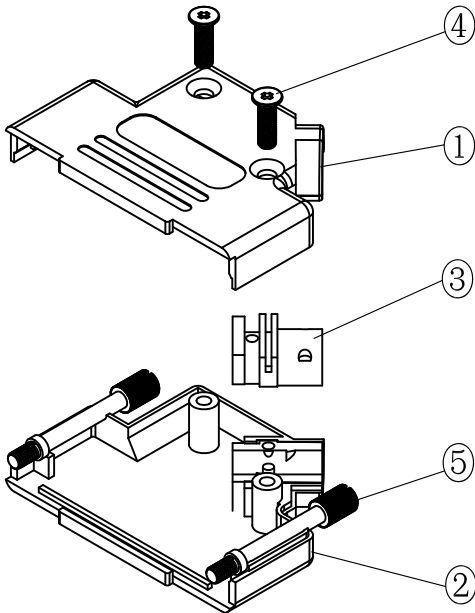
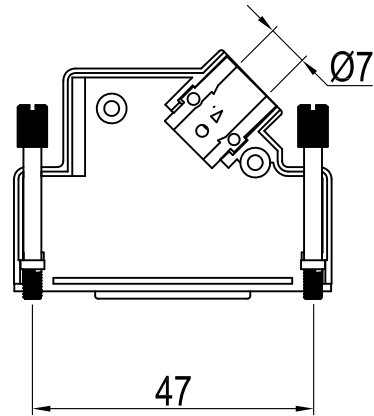
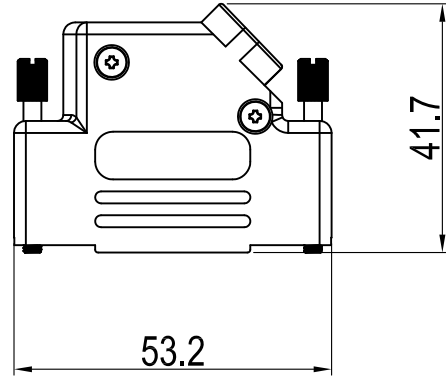
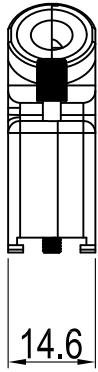
DRAWING No:

No.	Changes and/or Note No.	Date	Intr	No	Changes and/or Note No.	Date	Intr



Part Number:	Description:	Pack:	1	1	Top MHD45ZK-15	Cover
			2	1	Bottom MHD45ZK-15	Cover
6560-0106-12	MHD45ZK-15-K	SINGLE	3	1	D45ZK-D1	Grommet
			4	2	M3X10	Screw
6561-0106-12	MHD45ZK-15	BULK	5	2	UNC 4-40X32.5	Jack screw
			6			
			7			
DATE:	DRAWN:	SCALE:	MATERIAL TYPE:			
2008-11-21	YG Y					
Auditing:	APPROVED:		REPLACES:			
	MRR					
	MHD45ZK-SERIES		DRAWING No:		 	

No.	Changes and/or Note No.	Date	Intr	No	Changes and/or Note No.	Date	Intr

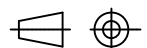


Part Number:	Description:	Pack:	1	1	Top MHD45ZK-25	Cover
			2	1	Bottom MHD45ZK-25	Cover
6560-0106-13	MHD45ZK-25-K	SINGLE	3	1	D45ZK-D1	Grommet
			4	2	M3X10	Screw
6561-0106-13	MHD45ZK-25	BULK	5	2	UNC 4-40X32.5	Jack screw
			6			
			7			
			Item	QTY	Part Number	Description

DATE: 2008-11-21	DRAWN: YGY	SCALE:	MATERIAL TYPE:
Auditing:	APPROVED: MRR		REPLACES:

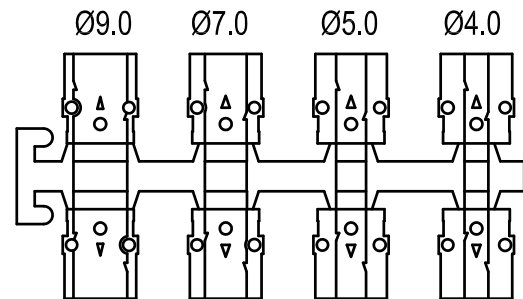
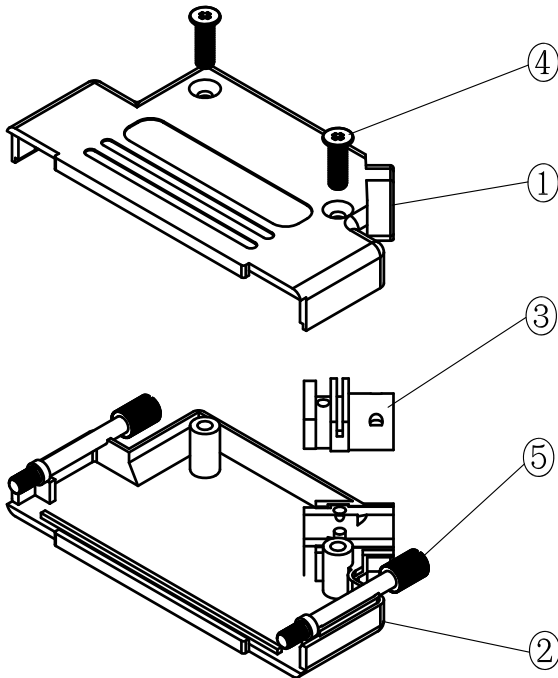
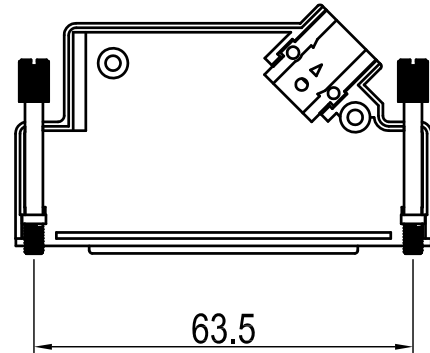
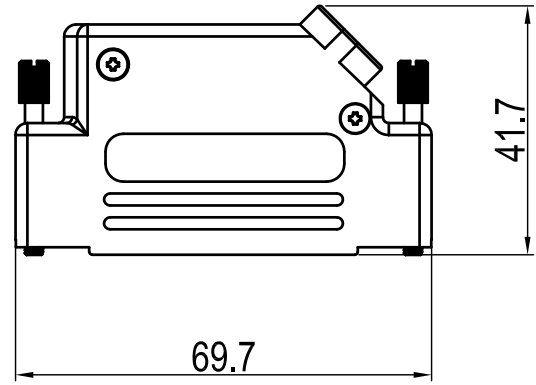
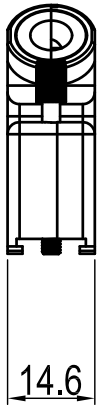


MHD45ZK-SERIES



DRAWING No:

No.	Changes and/or Note No.	Date	Intr	No	Changes and/or Note No.	Date	Intr

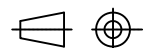


Part Number:	Description:	Pack:	1	1	Top MHD45ZK-37	Cover
6560-0106-14	MHD45ZK-37-K	SINGLE	2	1	Bottom MHD45ZK-37	Cover
6561-0106-14	MHD45ZK-37	BULK	3	1	D45ZK-D1	Grommet
			4	2	M3X10	Screw
			5	2	UNC 4-40X32.5	Jack screw
			6			
			7			

DATE: 2008-11-21	DRAWN: YGY	SCALE:	MATERIAL TYPE:
Auditing:	APPROVED: MRR		REPLACES:



MHD45ZK-SERIES



DRAWING No: