

### Features

- ◆ Compact design in SMD or DIP package
- ◆ Ultra wide 4:1 input voltage range
- ◆ Fully regulated outputs
- ◆ Low ripple and noise
- ◆ No minimum load required
- ◆ Temperature range  $-40^{\circ}\text{C}$  to  $+85^{\circ}\text{C}$
- ◆ I/O isolation 1500 VDC
- ◆ Continuous short-circuit protection
- ◆ Remote On/Off control
- ◆ Fully RoHS compliant
- ◆ 3-year product warranty



The TDR-3WI series is a family of compact 3 W dc/dc-converters with 4:1 input voltage ranges and tightly regulated output voltages even under no load conditions. The product is available in SMD-package or in DIP-package. They work with high efficiency over the full load range and come with a remote On/Off input. The usability in temperature ranges of up to  $+85^{\circ}\text{C}$ , continuous short circuit protection and excellent immunity against environmental influences make these converters very reliable.

A TDR-3WI converter is the ideal solution for space critical high end applications in communication equipment, instrumentation and industrial electronics.

### Models

Order code DIP models	Order code SMD models	Input voltage range	Output voltage	Output current max.	Efficiency typ.
TDR 3-1211WI	TDR 3-1211WISM	4.5 – 18 VDC (12 VDC nominal)	5.0 VDC	600 mA	81 %
TDR 3-1212WI	TDR 3-1212WISM		12 VDC	250 mA	82 %
TDR 3-1213WI	TDR 3-1213WISM		15 VDC	200 mA	82 %
TDR 3-1222WI	TDR 3-1222WISM		$\pm 12$ VDC	$\pm 125$ mA	82 %
TDR 3-1223WI	TDR 3-1223WISM		$\pm 15$ VDC	$\pm 100$ mA	81 %
TDR 3-2411WI	TDR 3-2411WISM	9 – 36 VDC (24 VDC nominal)	5.0 VDC	600 mA	80 %
TDR 3-2412WI	TDR 3-2412WISM		12 VDC	250 mA	82 %
TDR 3-2413WI	TDR 3-2413WISM		15 VDC	200 mA	82 %
TDR 3-2422WI	TDR 3-2422WISM		$\pm 12$ VDC	$\pm 125$ mA	82 %
TDR 3-2423WI	TDR 3-2423WISM		$\pm 15$ VDC	$\pm 100$ mA	81 %
TDR 3-4811WI	TDR 3-4811WISM	18 – 75 VDC (48 VDC nominal)	5.0 VDC	600 mA	80 %
TDR 3-4812WI	TDR 3-4812WISM		12 VDC	250 mA	83 %
TDR 3-4813WI	TDR 3-4813WISM		15 VDC	200 mA	82 %
TDR 3-4822WI	TDR 3-4822WISM		$\pm 12$ VDC	$\pm 125$ mA	82 %
TDR 3-4823WI	TDR 3-4823WISM		$\pm 15$ VDC	$\pm 100$ mA	81 %

### Input Specifications

Input current at no load (nominal input voltage)	12 Vin models: 40 mA typ. 24 Vin models: 20 mA typ. 48 Vin models: 13 mA typ.
Input current at full load (nominal input voltage)	12 Vin models: 330 mA typ. 24 Vin models: 165 mA typ. 48 Vin models: 80 mA typ.
Surge voltage (1 sec. max.)	12 Vin models: 25 V max. 24 Vin models: 50 V max. 48 Vin models: 100 V max.
Input filter	capacitor type (see EMC considerations page 3 for compliance to EN 55022 class A/B)
ESD (electrostatic discharge)	EN 61000-4-2, air $\pm 8$ kV, contact $\pm 6$ kV, perf. criteria A
Radiated immunity	EN 61000-4-3 10 V/m, perf. criteria A
Fast transient / Surge	EN 61000-4-4, $\pm 2$ kV, perf. criteria A EN 61000-4-5, $\pm 1$ kV perf. criteria A with external input capacitor e.g. Nippon chemi-con KY 220 $\mu$ F, 100 V, ESR 48 mOhm
Conducted immunity	EN 61000-4-6, 10 Vrms, perf. criteria A
Reflected ripple current (measured with input filter according class A)	12 Vin models: 80 mA <sub>p-p</sub> typ. 24 Vin models: 40 mA <sub>p-p</sub> typ. 48 Vin models: 30 mA <sub>p-p</sub> typ.

### Output Specifications

Voltage set accuracy	$\pm 1$ % max
Regulation	<ul style="list-style-type: none"> <li>- Input variation Vin min. to Vin max. 0.2 % max.</li> <li>- Load variation 0 – 100 % <ul style="list-style-type: none"> <li>single output models: 1.0 % max.</li> <li>dual output models: 1.0 % max. balanced load</li> </ul> </li> <li>- Load variation 10 – 90 % <ul style="list-style-type: none"> <li>single output models: 0.5 % max.</li> <li>dual output models: 0.8 % max. balanced load</li> </ul> </li> <li>- Load cross regulation 25/100 % 5.0 % max. (dual output models)</li> </ul>
Minimum load	0 % of rated max. load
Temperature coefficient	$\pm 0.02$ %/K
Ripple and noise (20 MHz bandwidth)	30 mV <sub>p-p</sub> typ.
Start up time (constant resistive load)	<ul style="list-style-type: none"> <li>- Power On 5 ms typ.</li> <li>- Remote On 5 ms typ.</li> </ul>
Transient response setting time (25 % load step change)	250 $\mu$ s typ.
Short circuit protection	indefinite, automatic recovery
Capacitive load	<ul style="list-style-type: none"> <li>5 VDC models: 1680 <math>\mu</math>F max.</li> <li>12 VDC models: 820 <math>\mu</math>F max.</li> <li>15 VDC models: 680 <math>\mu</math>F max.</li> <li><math>\pm 12</math> VDC models: <math>\pm 470</math> <math>\mu</math>F max.</li> <li><math>\pm 15</math> VDC models: <math>\pm 330</math> <math>\mu</math>F max.</li> </ul>

### General Specifications

Temperature ranges	<ul style="list-style-type: none"> <li>- Operating -40°C to +85°C</li> <li>- Storage -55°C to +125°C</li> <li>- Case temperature tba.</li> </ul>
Load derating	3.3 %/K above +70°C
Humidity (non condensing)	5 % to 90 % rel. H max.

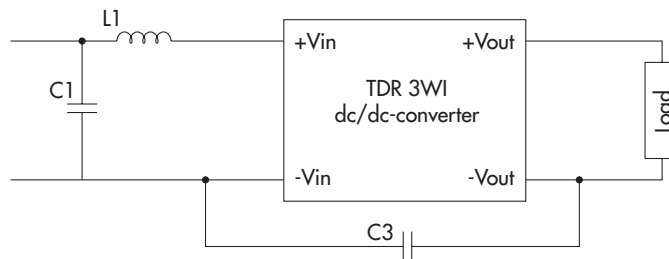
All specifications valid at nominal input voltage, full load and +25°C after warm-up time unless otherwise stated.

**General Specifications**

Thermal shock		acc. MIL-STD-810F
Vibration		acc. MIL-STD-810F
Reliability, calculated MTBF (MIL-HDBK-217F, at +25°C, ground benign)		>2.0 Mio h
Isolation voltage (60 sec.)	- Input/Output	1500 VDC
Isolation capacitance	- Input/Output	50 pF max.
Isolation resistance	- Input/Output (500 VDC)	>10 GOhm
Altitude during operation		tba.
Safety standard (designed to meet)		IEC/EN 60950-1, UL 60950-1
Safety approvals	- UL/cUL	<a href="http://www.ul.com">www.ul.com</a> -> certifications -> File e188913
Switching frequency		100 kHz (PWM)
Remote On/Off	- On: - Off: - Off stand by input current	open or high impedance 2...4 mA current applied via 1KOhm resistor 2.5 mA max.
Environmental compliance	- Reach - RoHS	<a href="http://www.tracopower.com/products/tdr3wi-reach.pdf">www.tracopower.com/products/tdr3wi-reach.pdf</a> RoHS directive 2011/65/EU

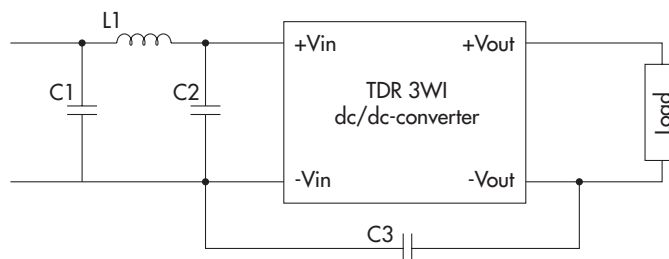
**EMC Consideration**

Recommended filter for  
**EN 55022 class A** compliance



Input models	C1	C3	L1 value	order code (SMD type)	datasheet:
12 VDC	4.7 µF / 25 V 1812 MLCC	220pF / 3 kV 1808 MLCC	10 µH	<b>TCK-047</b>	<a href="http://www.tracopower.com/products/tck047.pdf">www.tracopower.com/products/tck047.pdf</a>
24 VDC	4.7 µF / 50 V 1812 MLCC		12 µH	<b>TCK-062</b>	<a href="http://www.tracopower.com/products/tck062.pdf">www.tracopower.com/products/tck062.pdf</a>
48 VDC	4.7 µF / 100 V 1812 MLCC		10 µH	<b>TCK-047</b>	<a href="http://www.tracopower.com/products/tck047.pdf">www.tracopower.com/products/tck047.pdf</a>

Recommended filter for  
**EN 55022 class B** compliance



Input models	C1 & C2	C3	L1 value	order code (SMD type)	datasheet
12 VDC	6.8 µF / 25 V 1812 MLCC	220pF / 3 kV 1808 MLCC	10 µH	<b>TCK-047</b>	<a href="http://www.tracopower.com/products/tck047.pdf">www.tracopower.com/products/tck047.pdf</a>
24 VDC	4.7 µF / 50 V 1812 MLCC		12 µH	<b>TCK-062</b>	<a href="http://www.tracopower.com/products/tck062.pdf">www.tracopower.com/products/tck062.pdf</a>
48 VDC	4.7 µF / 100 V 1812 MLCC		18 µH	<b>TCK-046</b>	<a href="http://www.tracopower.com/products/tck046.pdf">www.tracopower.com/products/tck046.pdf</a>

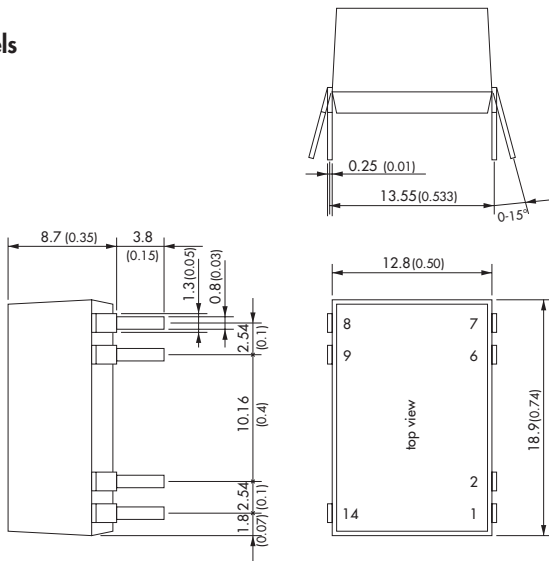
All specifications valid at nominal input voltage, full load and +25°C after warm-up time unless otherwise stated.

**Physical Specifications**

Casing material	non-conductive plastic (UL94V-0 rated)
Package weight	4.5 g (0.16 oz)
Soldering profile for DIP-package models	max. 265°C / 10 sec. (wave soldering)
Lead-free reflow solder process for SMD-package models	as per J-STD-020D.01 (to find at: <a href="http://www.jedec.org">www.jedec.org</a> - free registration required)
Moisture sensitivity level (for SMD-package models)	level 2a as per J-STD-033B.01 (to find at: <a href="http://www.jedec.org">www.jedec.org</a> - free registration required)

**Outline Dimensions**

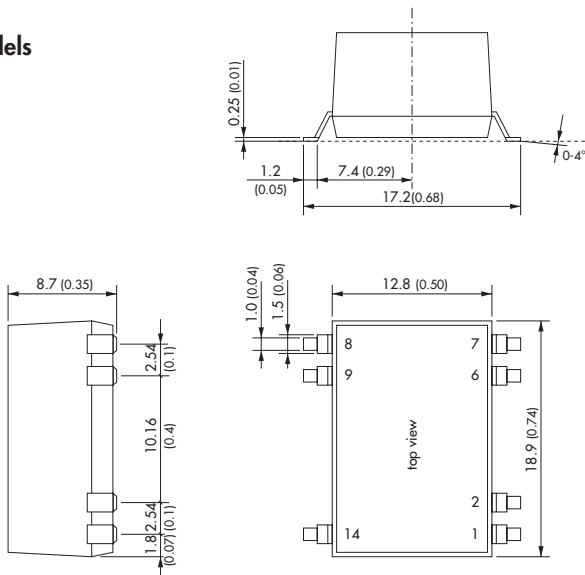
**DIP-Models**



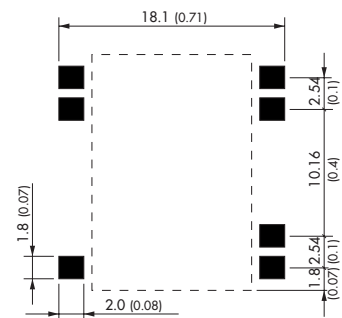
Pin-Out		
Pin	Single	Dual
1	-Vin (GND)	-Vin (GND)
2	Remote On/Off	Remote On/Off
6	NC	Common
7	NC	-Vout
8	+Vout	+Vout
9	-Vout	Common
14	+Vin (Vcc)	+Vin (Vcc)

NC = not to connect

**SMD-Models**



**Recommended Solder Pad Dimension:**



Dimensions in [mm], ( ) = Inch  
Tolerances: ±0.5 (±0.02)  
Pin pitch tolerances: ±0.25 (±0.01)

Specifications can be changed any time without notice.