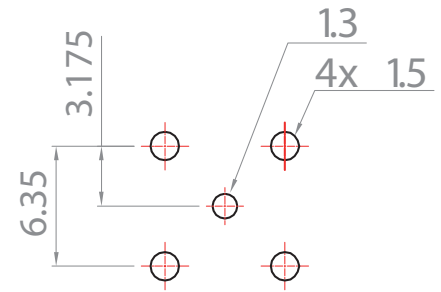
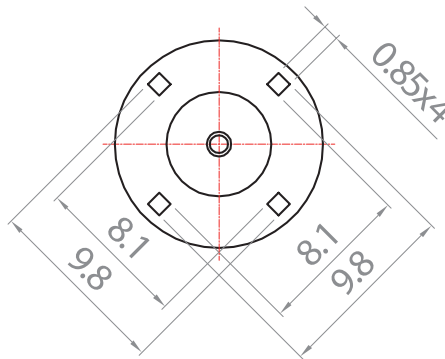
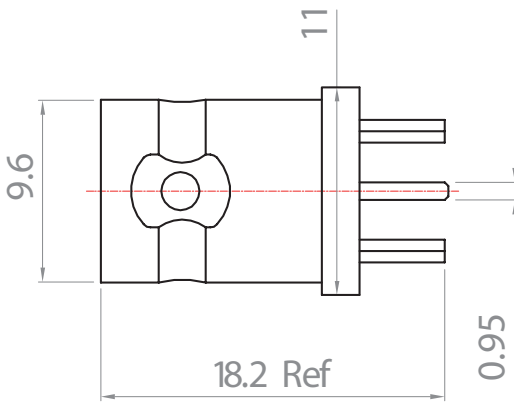


Specifications:

Finish: [Unit of Plating Thickness Is in Micro Inch(μ)]

1. Nickel Plating Thk. : 80 μ " min. (Under Plating)
2. Gold Plating Thk. : 2 μ " max. (Over Finish 1)

Inner Contact	Brass	Finish 1/2
Insulator	PTEE	None
Body	Brass	Finish 1



Recommended PCB Layout

NOTES:

1. Any Electrical, Mechanical or Environmental Test Per MIL-PRF-39012F Should be Spotlighted, As We May Not Have All Testing Equipment to Cover All of It.
2. All Metal Materials Are in Compliance with RoHS 2 Directive 2011/65/EU Annex III Section 6 Paragraph.

Electrical:

- Impedance : 50 ohm
- Frequency Range : 0~4 GHz .
- Voltage Rating : ≥ 500 V rms (depending on cable)
- Insulator Resistance : ≥ 5 G Ω
- Dielectric Withstanding Voltage : 1500 V rms .
- Contact Resistance : Center Contact ≤ 1.5 m Ω .
Outer Contact ≤ 1 m Ω .

Mechanical:

- Mating : Bayonet Coupling.
- Recommended Mating Torque : 0.6~2.5 lbs
- Coupling Nut Retention Force : ≥ 101.2 lbs

Environmental :

- Temper ature Range : -65°C to 165°C
- Corrosion(Salt Spray) : MIL-STD-202, Method 101, Cond. B
- Thermal Shock : MIL-STD-202, Method 107, Cond. B
- Mechanical : MIL-STD-202, Method 213, Cond. G
- Vibration : MIL-STD-202, Method 204, Cond. B