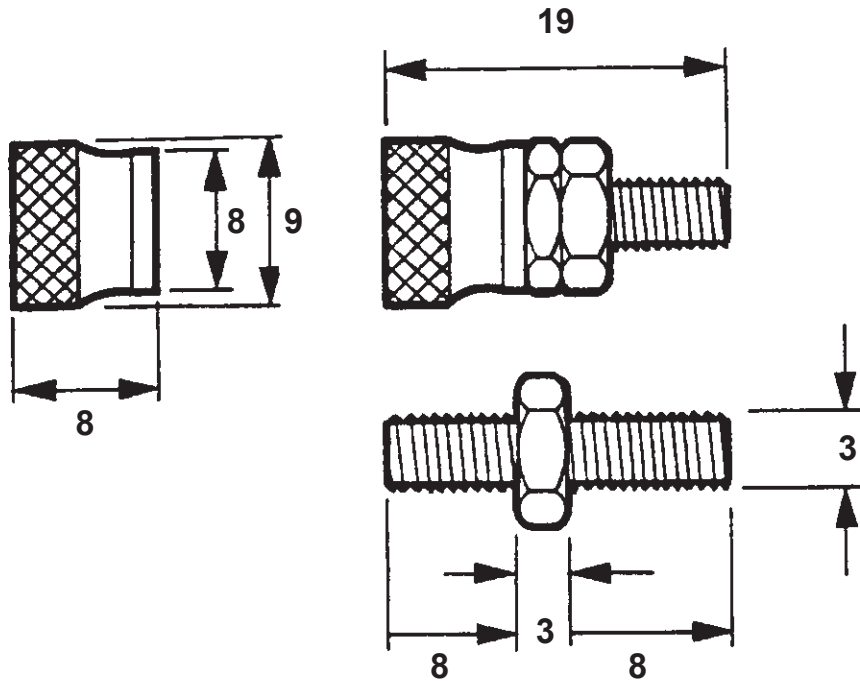


- Nickel plated brass construction
- Supplied as complete assembly
- Panel cut-out 3.5mm



All dimensions in mm. (Tolerance: $\pm 15\%$)

For further information on pricing, delivery, and long-term stock agreements please get in touch with your local business development contact, telephone our main office on **01206 838000** or email **Sales@Rapidonline.com**.