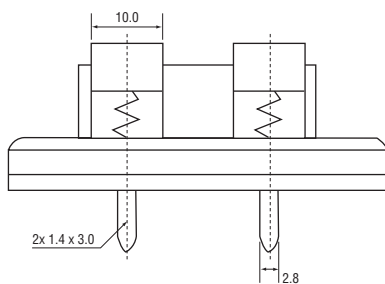
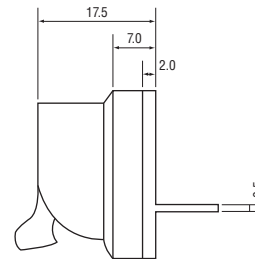
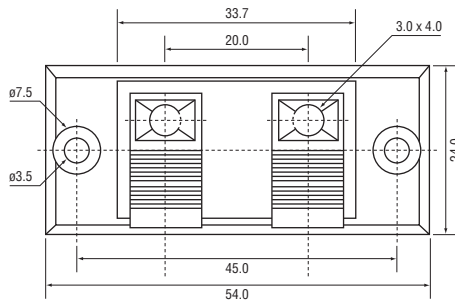


2-pole Push Fit Speaker Terminal

Order code: **17-0961**



Specifications:

No.	Description	Material	Finish
1	Base	ABS	Black
2	Gasket	EVA	Black
3	Knob	ABS	Red
4	Knob	ABS	Black
5	Spring	Steel	Black
6	Terminal	Ferrum	Tinning