

Test leads

Order code	Manufacturer code	Description
17-2380	4412-4-IEC-100 NR	BLACK 4MM IEC1010 SAFETY TEST LEAD
17-2382	4412-4-IEC-100 RG	RED 4MM IEC1010 SAFETY TEST LEAD

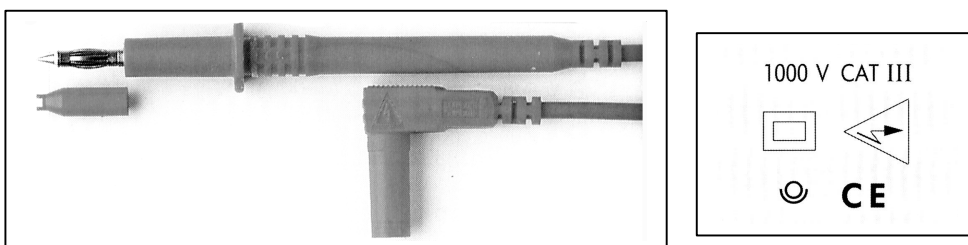
Test leads	Page 1 of 2
The enclosed information is believed to be correct, Information may change 'without notice' due to product improvement. Users should ensure that the product is suitable for their use. E. & O. E.	Revision A 04/07/2003

Safety Test Leads

Electro PJP

Professional quality test leads employing 1 metre of 1.0mm² PVC double insulated cable terminated to a fixed 4mm probe with removable safety cap and a right angle shrouded plug. Fully complies with the safety requirements of **IEC1010 Category 3**.

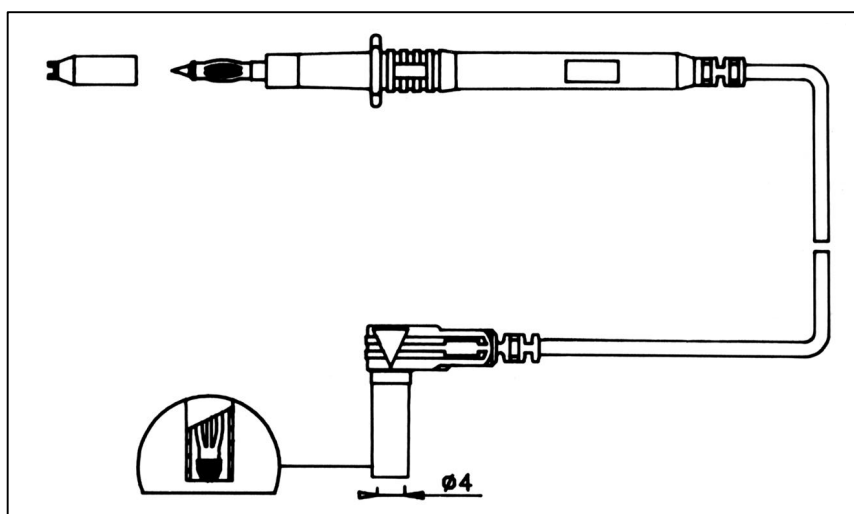
Photograph



Specification

Insulators	:	Polyamide
Contacts	:	Brass & bronze Ni
Voltage	:	1000 V 50/60 Hz 1mn > 7400 V
Cable	:	PVC 1.00 mm ²
Maximum current	:	20 A
Temperature range	:	-20°C to +80°C
Resistance	:	20 mΩ

Technical Drawing



PJP Ref No.	Description	Length (cm)	Colour
4412-Ø4-IEC-100N	Safety Test Lead	100	Black
4412-Ø4-IEC-100R	Safety Test Lead	100	Red