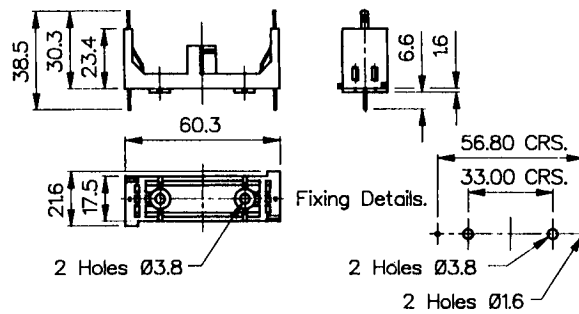
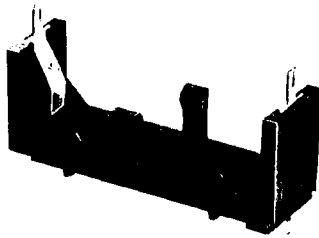


Boxes and Holders

Order code	Manufacturer code	Description
18-0152	BX0035	1 X AA PCB BATTERY HOLDER

Boxes and Holders	Page 1 of 2
The enclosed information is believed to be correct, Information may change 'without notice' due to product improvement. Users should ensure that the product is suitable for their use. E. & O. E.	Revision A 04/07/2003



Battery cell type	AA(R6)
No. Cells	1 Cell
Terminations	Dual connections P.C. spills & 2.8 Series tabs/solder tags(P.C spills may be removed if required)
Operating Temp. Range	-30C to +70C
Mouldings	Glass filled nylon
Contacts	Nickel silver, clean
Features	Interlocking device for multiple assemblies