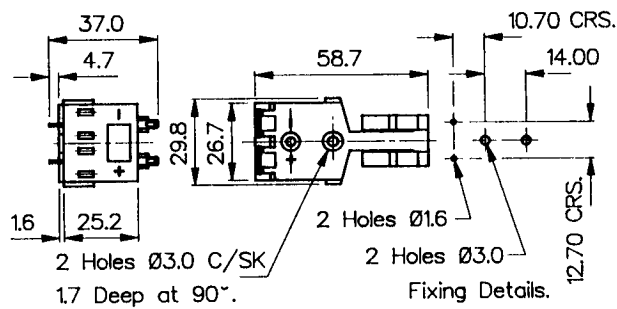
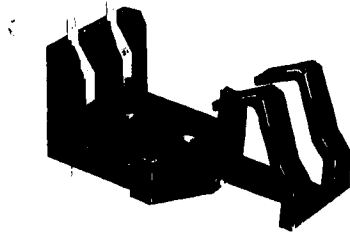


## Boxes and Holders

Order code	Manufacturer code	Description
18-0157	BX0033	1 X PP3 PCB BATTERY HOLDER

Boxes and Holders	Page 1 of 2
The enclosed information is believed to be correct, Information may change 'without notice' due to product improvement. Users should ensure that the product is suitable for their use. E. & O. E.	Revision A 04/07/2003



Battery/Cell Type	PP3(6R61)
No. Cells	1 cell
Terminations	Dual connections, P.C spills & 2.8 series tabs/solder tags (P.C. spills may be removed if required).
Operating Temp. Range	-30C to +70C
Mouldings	Nylon
Contacts	Nickel Silver, clean.