

Boxes and Holders

Order code	Manufacturer code	Description
18-0159	BX0023	PP3 ENCLOSED BATTERY HOLDER (RC)

Boxes and Holders	Page 1 of 2
The enclosed information is believed to be correct, Information may change without notice due to product improvement. Users should ensure that the product is suitable for their use. E. & O. E.	Revision A 20/02/2007

Panel Mounting PP3 Battery Holder

Bulgin BX0023

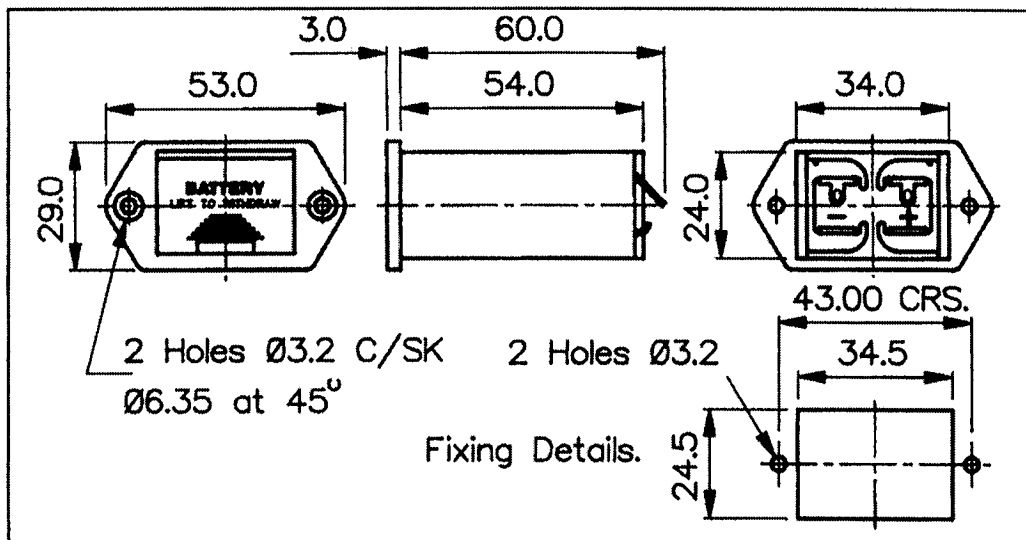
General Details

A draw style enclosed panel or chassis mounting battery holder, which will accept a single PP3 type battery. The 'snap-in' drawer is clearly marked to indicate correct battery insertion and includes a spring to ensure positive location of the battery. Contact with the tin plated phosphor bronze contacts at the rear of the holder is only made when the draw is fully inserted into the housing. External connection to the holder is made via solder tags at the rear.

Technical Specification

Battery Cell Type:	PP3
No. of Cells:	1
Terminations:	Solder Tag
Operating Temperature Range:	-30°C to +70°C
Mouldings:	Glass filled Nylon
Contacts:	Phosphor Bronze, Tin Plated
Features:	Removable Loading Magazine

Dimensions



Bulgin Code	Description
BX0023	1 x PP3 Enclosed Holder