

Specification:

Material:

Housing: black polypropylene

Flammability rating: UL94-HB, UL File No. E216959

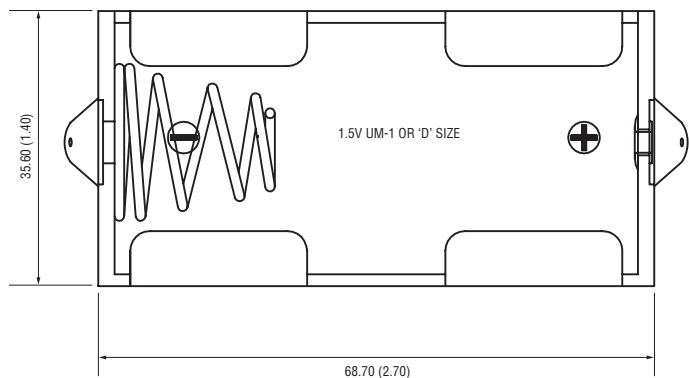
Temperature range: -10°C to +100°C

Rivets: brass, nickel plated

Spring: spring steel, nickel plated

Contact resistance: under 50mΩ for +/- contacts per EIA-540J000

RoHS 2 compliant



Tolerances	mm (inches)
Decimal	±0.5 (0.020)
Fractional	±0.8 (0.030)
Angular	±3°

