



6x C Cell Holders with Solder Tags

Order code: **18-0556**

Specification:

Housing: black polypropylene

Flammability rating: UL94-HB, UL File No. E216959

Temperature range: -10°C to $+100^{\circ}\text{C}$

Rivets: brass, nickel plated

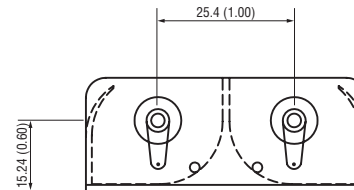
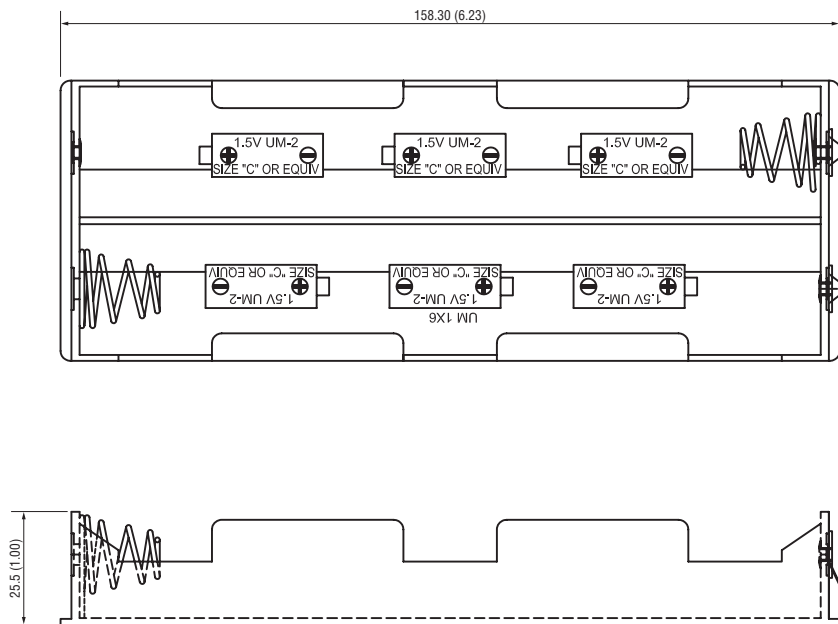
Springs: spring steel, nickel plated

Contact resistance: under $50\text{m}\Omega$ for +/- contacts per EIA-540J000

Mounting instructions:

Use 2x 56 machine screws or eyelets 0.089in OD by 0.15in flange
Stimpson GS-3 series or equivalent.

Also adhesives and double sided tapes work well.



Tolerances	mm (inches)
Decimal	± 0.5 (0.020)
Fractional	± 0.8 (0.030)
Angular	$\pm 3^{\circ}$