



HZS Range

Sealed Lead Acid 6 & 12 Volt
Monobloc 5 Year Range



Sealed Lead Acid 6 & 12 Volt
Monobloc 5 Year Range



Amps Data



Amps		Amp load for given Autonomy to 1.65 vpc @ 20/25 °C												
Model No.	5	10	15	20	25	30	35	40	45	60	90	2 hr	3 hr	4 hr
HZS4-4.5	15.9	9.32	7.16	5.99	5.24	4.70	4.26	3.88	3.59	2.94	2.21	1.78	1.29	1.02
HZS4-9	33.5	20.5	16.1	13.7	11.9	10.6	9.49	8.63	7.94	6.31	4.46	3.50	2.51	2.01
HZS6-1	3.75	2.24	1.70	1.40	1.20	1.05	0.94	0.84	0.76	0.60	0.44	0.35	0.25	0.20
HZS6-1.3	4.57	2.74	2.08	1.70	1.46	1.28	1.14	1.03	0.93	0.74	0.53	0.43	0.31	0.24
HZS6-3.2	14.4	8.66	6.51	5.20	4.30	3.73	3.32	2.99	2.72	2.18	1.58	1.26	0.92	0.73
HZS6-4.5	15.9	9.32	7.16	5.99	5.24	4.70	4.26	3.88	3.59	2.94	2.21	1.78	1.29	1.02
HZS6-7.2	26.7	16.6	12.6	10.5	8.89	7.66	6.78	6.13	5.58	4.42	3.30	2.70	2.00	1.61
HZS6-10	29.8	19.9	15.9	13.5	11.9	10.8	9.9	9.04	8.28	6.66	4.80	3.79	2.74	2.22
HZS6-12	41.0	27.0	20.3	16.5	14.0	12.3	11.0	9.95	9.16	7.50	5.64	4.61	3.42	2.71
HZS6-14	48.8	33.9	26.5	21.3	17.7	15.1	13.3	11.9	10.8	8.58	6.33	5.08	3.65	2.87
HZS6-20	78.0	48.5	36.0	29.5	24.8	21.4	18.7	16.8	15.3	12.5	9.29	7.26	4.99	3.85
HZS12-0.8	3.02	1.81	1.37	1.12	0.96	0.84	0.75	0.68	0.62	0.49	0.35	0.28	0.20	0.16
HZS12-1.3	4.57	2.74	2.08	1.70	1.46	1.28	1.14	1.03	0.93	0.74	0.53	0.43	0.31	0.24
HZS12-2.2	8.59	5.18	3.87	3.18	2.72	2.39	2.13	1.91	1.74	1.38	1.00	0.81	0.58	0.45
HZS12-2.9	11.2	6.83	5.10	4.19	3.59	3.15	2.81	2.52	2.30	1.81	1.32	1.05	0.75	0.59
HZS12-3.3	12.7	7.77	5.81	4.77	4.08	3.58	3.20	2.87	2.62	2.05	1.47	1.18	0.86	0.68
HZS12-5	23.6	13.5	10.1	8.28	7.07	6.20	5.49	4.91	4.46	3.50	2.45	1.91	1.35	1.05
HZS12-5HR	23.6	13.5	10.1	8.28	7.07	6.20	5.49	4.91	4.46	3.50	2.45	1.91	1.35	1.05
HZS12-6HR	31.7	18.0	13.2	10.8	9.14	7.97	7.09	6.37	5.77	4.55	3.21	2.50	1.78	1.39
HZS12-7	26.7	16.6	12.6	10.5	8.89	7.66	6.78	6.13	5.58	4.42	3.30	2.70	2.00	1.61
HZS12-7.5	24.8	15.5	11.8	9.6	8.32	7.35	6.56	5.99	5.59	4.57	3.35	2.69	1.93	1.54
HZS12-7.5HR	37.5	25.5	19.7	15.68	13.19	11.39	10.04	8.99	8.14	6.43	4.56	3.53	2.48	1.91
HZS12-10	29.8	19.9	15.9	13.5	11.9	10.8	9.87	9.04	8.28	6.66	4.80	3.79	2.71	2.17
HZS12-12	41.0	27.0	20.3	16.5	14.0	12.3	11.0	9.95	9.16	7.50	5.64	4.61	3.42	2.71
HZS12-12HR	59.0	34.0	25.9	21.3	18.3	16.2	14.6	13.2	12.1	9.63	6.90	5.43	3.86	3.03
HZS12-18	88.2	52.2	38.8	31.1	26.3	23.1	20.6	18.7	17.1	13.7	9.78	7.65	5.40	4.24
HZS12-26	84.5	57.7	45.3	37.0	31.4	27.3	24.1	21.6	19.7	15.5	11.1	8.81	6.40	5.04
HZS12-33	116	76.2	60.3	50.0	44.0	39.0	34.6	31.0	27.9	21.6	15.0	11.6	8.08	6.32
HZS12-44	144	97.9	78.1	65.2	56.3	49.6	44.4	40.2	36.6	28.6	20.1	15.5	10.8	8.31
HZS12-70J	214	167	131	107	91.4	79.7	71.0	64.2	58.6	46.0	32.2	24.8	17.1	13.1
HZS12-100	328	232	182	148	126	110	98.6	89.4	81.6	64.6	45.7	35.6	24.7	19.2

Amps		Amp load for given Autonomy to 1.60 vpc @ 20/25 °C												
Model No.	5	10	15	20	25	30	35	40	45	60	90	2 hr	3 hr	4 hr
HZS4-4.5	16.1	9.41	7.23	6.05	5.29	4.74	4.30	3.92	3.62	2.97	2.23	1.80	1.31	1.03
HZS4-9	33.9	20.7	16.3	13.8	12.0	10.7	9.58	8.72	8.01	6.37	4.51	3.53	2.54	2.02
HZS6-1	3.86	2.28	1.73	1.42	1.21	1.06	0.95	0.85	0.77	0.61	0.44	0.35	0.26	0.20
HZS6-1.3	4.70	2.78	2.11	1.73	1.48	1.29	1.16	1.04	0.94	0.74	0.54	0.43	0.31	0.25
HZS6-3.2	14.6	8.75	6.57	5.25	4.34	3.77	3.35	3.02	2.75	2.20	1.59	1.27	0.93	0.73
HZS6-4.5	16.1	9.41	7.23	6.05	5.29	4.74	4.30	3.92	3.62	2.97	2.23	1.80	1.31	1.03
HZS6-7.2	27.0	16.8	12.7	10.6	8.98	7.73	6.84	6.19	5.63	4.46	3.33	2.72	2.02	1.62
HZS6-10	30.1	20.1	16.1	13.7	12.0	10.9	10.0	9.12	8.36	6.72	4.85	3.83	2.77	2.24
HZS6-12	41.4	27.3	20.5	16.6	14.1	12.4	11.1	10.05	9.25	7.58	5.69	4.65	3.45	2.74
HZS6-14	49.7	34.5	26.9	21.6	18.0	15.3	13.5	12.1	11.0	8.72	6.44	5.15	3.69	2.89
HZS6-20	80.0	49.6	36.8	30.0	25.2	21.6	18.9	17.0	15.5	12.6	9.39	7.32	5.04	3.88
HZS12-0.8	3.10	1.84	1.39	1.14	0.97	0.85	0.76	0.68	0.62	0.49	0.36	0.28	0.21	0.16
HZS12-1.3	4.70	2.78	2.11	1.73	1.48	1.29	1.16	1.04	0.94	0.74	0.54	0.43	0.31	0.25
HZS12-2.2	8.90	5.33	3.94	3.22	2.75	2.41	2.16	1.94	1.76	1.40	1.01	0.81	0.59	0.46
HZS12-2.9	11.5	7.03	5.19	4.25	3.63	3.18	2.84	2.55	2.33	1.84	1.33	1.05	0.76	0.60
HZS12-3.3	13.5	8.00	5.97	4.86	4.14	3.62	3.23	2.90	2.64	2.07	1.49	1.19	0.87	0.68
HZS12-5	23.8	13.6	10.2	8.36	7.14	6.26	5.54	4.96	4.50	3.53	2.48	1.93	1.36	1.06
HZS12-5HR	23.8	13.6	10.2	8.36	7.14	6.26	5.54	4.96	4.50	3.53	2.48	1.93	1.36	1.06
HZS12-6HR	32.0	18.2	13.3	10.9	9.23	8.05	7.16	6.43	5.82	4.60	3.24	2.52	1.79	1.41
HZS12-7	27.0	16.8	12.7	10.6	8.98	7.73	6.84	6.19	5.63	4.46	3.33	2.72	2.02	1.62
HZS12-7.5	25.1	15.7	11.9	9.7	8.4	7.42	6.63	6.05	5.64	4.62	3.39	2.72	1.95	1.56
HZS12-7.5HR	37.9	25.7	19.9	15.8	13.3	11.50	10.14	9.08	8.22	6.49	4.60	3.56	2.51	1.93
HZS12-10	30.1	20.1	16.1	13.7	12.0	10.9	10.0	9.12	8.36	6.72	4.85	3.83	2.74	2.19
HZS12-12	41.4	27.3	20.5	16.6	14.1	12.4	11.1	10.05	9.25	7.58	5.69	4.65	3.45	2.74
HZS12-12HR	59.6	34.4	26.1	21.5	18.5	16.4	14.8	13.4	12.2	9.72	6.97	5.49	3.90	3.06
HZS12-18	88.2	52.2	38.8	31.1	26.3	23.1	20.6	18.7	17.1	13.7	9.78	7.65	5.40	4.24
HZS12-26	88.4	59.2	46.3	37.6	31.7	27.6	24.4	21.9	19.9	15.7	11.2	8.87	6.45	5.06
HZS12-33	121	78.6	61.4	50.9	44.7	39.5	35.0	31.3	28.2	21.8	15.1	11.7	8.14	6.36
HZS12-44	149	100	79.3	66.0	56.7	50.0	44.7	40.5	36.9	28.9	20.3	15.6	10.9	8.38
HZS12-70J	226	172	134	109	92.4	80.5	71.7	64.8	59.1	46.4	32.4	25.0	17.2	13.2
HZS12-100	347	239	186	151	128	112	99.8	90.5	82.7	65.1	46.1	35.9	24.9	19.3

Watts per cell		Watts per cell load to 1.85 vpc @ 20/25°C												
Model No.	5	10	15	20	25	30	35	40	45	60	90	2 hr	3 hr	4 hr
HZS4-4.5	19.5	13.7	10.9	9.24	8.10	7.33	6.70	6.19	5.79	4.81	3.56	2.82	1.99	1.52
HZS4-9	60.2	38.6	29.2	23.8	20.3	18.1	16.3	14.9	13.7	11.0	8.21	6.60	4.72	3.65
HZS6-1	5.92	3.56	2.72	2.28	1.97	1.73	1.54	1.39	1.27	1.00	0.73	0.59	0.43	0.34
HZS6-1.3	7.22	4.34	3.32	2.78	2.40	2.11	1.88	1.69	1.55	1.22	0.89	0.72	0.52	0.41
HZS6-3.2	26.5	15.0	10.77	8.49	7.07	6.06	5.33	4.79	4.36	3.49	2.60	2.09	1.54	1.23
HZS6-4.5	19.5	13.7	10.9	9.24	8.10	7.33	6.70	6.19	5.79	4.81	3.56	2.82	1.99	1.52
HZS6-7.2	43.1	26.8	20.0	16.2	13.7	12.0	10.7	9.8	9.07	7.43	5.63	4.55	3.32	2.64
HZS6-10	42.2	32.7	28.5	24.0	20.7	18.1	16.3	14.8	13.6	11.1	8.21	6.75	4.99	3.92
HZS6-12	62.9	44.0	35.5	29.4	25.1	22.2	19.8	18.0	16.6	13.5	9.97	8.14	6.04	4.84
HZS6-14	72.0	52.1	40.4	32.2	26.3	22.6	19.7	17.9	16.9	13.4	10.1	8.17	5.79	4.41
HZS6-20	104	71.0	57.0	50.0	44.0	39.0	35.0	32.2	30.0	24.5	18.4	15.0	11.0	9.00
HZS12-0.8	4.76	2.86	2.19	1.83	1.59	1.39	1.24	1.12	1.02	0.81	0.59	0.47	0.35	0.27
HZS12-1.3	7.22	4.34	3.32	2.78	2.40	2.11	1.88	1.69	1.55	1.22	0.89	0.72	0.52	0.41
HZS12-2.2	11.0	8.10	6.44	5.14	4.25	3.66	3.22	2.90	2.65	2.14	1.63	1.32	0.93	0.71
HZS12-2.9	14.8	10.8	8.53	6.84	5.65	4.86	4.29	3.87	3.52	2.86	2.15	1.73	1.22	0.94
HZS12-3.3	16.2	12.2	9.47	7.65	6.41	5.50	4.84	4.37	3.98	3.25	2.42	1.95	1.39	1.07
HZS12-5	36.2	22.2	16.9	13.9	12.0	10.6	9.38	8.38	7.57	5.83	4.03	3.11	2.14	1.65
HZS12-5HR	36.2	22.2	16.9	13.9	12.0	10.6	9.38	8.38	7.57	5.83	4.03	3.11	2.14	1.65
HZS12-6HR	47.4	28.9	21.7	17.6	14.9	12.9	11.4	10.3	9.39	7.46	5.44	4.34	3.08	2.41
HZS12-7	43.1	26.8	20.0	16.2	13.7	12.0	10.7	9.8	9.07	7.43	5.63	4.55	3.32	2.64
HZS12-7.5	42.2	25.7	19.7	16.4	14.2	12.5	11.2	10.2	9.32	7.57	5.61	4.47	3.16	2.44
HZS12-7.5HR	59.8	38.0	29.9	24.5	20.8	18.0	16.1	14.6	13.3	10.47	7.21	5.62	4.02	3.25
HZS12-10	42.2	32.7	28.5	24.0	20.7	18.1	16.3	14.8	13.6	11.1	8.21	6.75	4.99	3.92
HZS12-12	62.9	44.0	35.5	29.4	25.1	22.2	19.8	18.0	16.6	13.5	10.0	8.14	6.04	4.84
HZS12-12HR	88.0	52.8	41.0	34.3	29.6	26.0	23.5	21.5	19.8	16.1	12.0	9.59	6.94	5.39
HZS12-18	152.1	87.2	63.6	52.0	44.3	38.6	34.4	31.0	28.5	22.8	16.4	12.8	9.06	7.16
HZS12-26	129	92.8	75.4	62.9	54.0	47.6	42.3	38.2	35.0	28.1	20.5	16.5	12.0	9.60
HZS12-33	189	138	109	91.0	78.2	68.7	61.4	55.3	50.3	39.9	28.1	21.7	15.2	11.8
HZS12-44	220	176	141	117	100	87.6	78.4	70.8	64.8	51.4	36.6	28.4	19.7	15.1
HZS12-70J	306	246	205	176	153	136	123	112	103	83.2	59.1	45.6	31.4	24.2
HZS12-100	422	339	283	242	210	187	169	155	143	116	83.9	65.6	45.8	35.6

Watts per cell		Watts per cell load to 1.80 vpc @ 20/25 °C												
Model No.	5	10	15	20	25	30	35	40	45	60	90	2 hr	3 hr	4 hr
HZS4-4.5	20.9	14.7	11.7	9.87	8.65	7.83	7.15	6.61	6.18	5.14	3.80	3.02	2.12	1.63
HZS4-9	64.3	41.2	31.2	25.4	21.7	19.3	17.5	15.9	14.6	11.8	8.77	7.05	5.04	3.90
HZS6-1	6.32	3.80	2.91	2.43	2.10	1.85	1.65	1.48	1.35	1.07	0.78	0.63	0.46	0.36
HZS6-1.3	7.71	4.63	3.55	2.97	2.57	2.26	2.01	1.81	1.65	1.31	0.95	0.76	0.56	0.44
HZS6-3.2	28.3	16.1	11.5	9.07	7.55	6.47	5.69	5.11	4.66	3.73	2.77	2.23	1.64	1.31
HZS6-4.5	20.9	14.7	11.7	9.87	8.65	7.83	7.15	6.61	6.18	5.14	3.80	3.02	2.12	1.63
HZS6-7.2	46.0	28.6	21.4	17.3	14.6	12.8	11.4	10.4	9.7	7.94	6.02	4.86	3.55	2.82
HZS6-10	45.1	35.0	30.5	25.7	22.1	19.4	17.4	15.8	14.5	11.8	8.77	7.21	5.33	4.18
HZS6-12	67.2	47.0	37.9	31.4	26.9	23.7	21.2	19.3	17.7	14.4	10.65	8.70	6.45	5.17
HZS6-14	73.7	53.0	41.0	32.6	26.8	23.0	20.1	18.2	17.2	13.6	10.2	8.20	5.81	4.44
HZS6-20	118	80.0	62.0	52.5	46.0	41.5	37.0	33.5	31.0	25.5	19.2	15.4	11.5	9.40
HZS12-0.8	5.09	3.06	2.34	1.96	1.69	1.49	1.33	1.19	1.09	0.86	0.63	0.50	0.37	0.29
HZS12-1.3	7.71	4.63	3.55	2.97	2.57	2.26	2.01	1.81	1.65	1.31	0.95	0.76	0.56	0.44
HZS12-2.2	11.6	8.40	6.60	5.23	4.32	3.71	3.26	2.94	2.69	2.17	1.64	1.32	0.94	0.72
HZS12-2.9	15.5	11.2	8.71	6.95	5.75	4.92	4.35	3.94	3.58	2.89	2.16	1.74	1.24	0.94
HZS12-3.3	17.3	12.5	9.70	7.80	6.51	5.58	4.91	4.44	4.04	3.29	2.45	1.96	1.40	1.07
HZS12-5	38.7	23.7	18.0	14.9	12.9	11.3	10.0	8.95	8.08	6.22	4.31	3.32	2.29	1.76
HZS12-5HR	38.7	23.7	18.0	14.9	12.9	11.3	10.0	8.95	8.08	6.22	4.31	3.32	2.29	1.76
HZS12-6HR	50.7	30.8	23.2	18.8	15.9	13.8	12.2	11.0	10.0	7.97	5.82	4.63	3.29	2.57
HZS12-7	46.0	28.6	21.4	17.3	14.6	12.8	11.4	10.4	9.7	7.94	6.02	4.86	3.55	2.82
HZS12-7.5	45.1	27.5	21.1	17.5	15.2	13.4	12.0	10.9	10.0	8.08	5.99	4.78	3.37	2.61
HZS12-7.5HR	63.8	40.6	31.9	26.2	22.2	19.3	17.2	15.6	14.2	11.19	7.70	6.00	4.29	3.47
HZS12-10	45.1	35.0	30.5	25.7	22.1	19.4	17.4	15.8	14.5	11.8	8.77	7.21	5.33	4.18
HZS12-12	67.2	47.0	37.9	31.4	26.9	23.7	21.2	19.3	17.7	14.4	10.65	8.70	6.45	5.17
HZS12-12HR	94.0	56.4	43.8	36.7	31.6	27.8	25.1	22.9	21.2	17.2	12.9	10.2	7.42	5.76
HZS12-18	162.4	93.2	68.0	55.5	47.3	41.2	36.7	33.1	30.5	24.4	17.5	13.7	9.68	7.65
HZS12-26	135	96.8	77.5	64.2	55.1	48.5	43.2	39.0	35.7	28.5	20.8	16.6	12.3	9.74
HZS12-33	200	143	112.7	93.7	80.2	70.3	62.7	56.3	51.4	40.7	28.6	22.1	15.4	12.0
HZS12-44	234	189	150	123	104	90.9	81.0	73.0	66.6	53.0	37.5	28.9	20.0	15.3
HZS12-70J	335	264	218	183	159	141	127	115	106	85.0	60.1	46.2	31.8	24.5
HZS12-100	488	370	301	254	220	195	175	160	147	119	85.5	66.8	46.6	36.1





Model No.	Watts per cell			Watts per cell load to 1.75 vpc @ 20/25 °C										
	5	10	15	20	25	30	35	40	45	60	90	2 hr	3 hr	4 hr
HZS4-4.5	22.2	15.6	12.4	10.5	9.20	8.33	7.61	7.04	6.58	5.47	4.05	3.21	2.26	1.73
HZS4-9	68.4	43.9	33.2	27.0	23.0	20.5	18.6	16.9	15.6	12.5	9.33	7.50	5.37	4.15
HZS6-1	6.72	4.04	3.10	2.59	2.24	1.97	1.75	1.58	1.44	1.14	0.83	0.67	0.49	0.39
HZS6-1.3	8.20	4.93	3.78	3.16	2.73	2.40	2.14	1.92	1.76	1.39	1.01	0.81	0.59	0.47
HZS6-3.2	30.1	17.1	12.24	9.65	8.04	6.88	6.06	5.44	4.96	3.97	2.95	2.37	1.75	1.40
HZS6-4.5	22.2	15.6	12.4	10.5	9.20	8.33	7.61	7.04	6.58	5.47	4.05	3.21	2.26	1.73
HZS6-7.2	49.0	30.4	22.7	18.4	15.6	13.6	12.2	11.1	10.3	8.45	6.40	5.17	3.78	3.00
HZS6-10	48.0	37.2	32.4	27.3	23.5	20.6	18.5	16.8	15.5	12.6	9.33	7.68	5.67	4.45
HZS6-12	71.4	50.0	40.4	33.4	28.6	25.2	22.5	20.5	18.9	15.3	11.3	9.26	6.86	5.50
HZS6-14	75.4	53.9	41.6	33.0	27.1	23.3	20.5	18.5	17.4	13.7	10.2	8.24	5.83	4.46
HZS6-20	122	84.0	64.0	53.5	47.0	42.0	37.5	33.8	31.2	25.8	19.4	15.6	11.6	9.60
HZS12-0.8	5.41	3.25	2.49	2.08	1.80	1.58	1.41	1.27	1.16	0.92	0.67	0.54	0.39	0.31
HZS12-1.3	8.20	4.93	3.78	3.16	2.73	2.40	2.14	1.92	1.76	1.39	1.01	0.81	0.59	0.47
HZS12-2.2	12.2	8.69	6.72	5.33	4.38	3.76	3.30	2.99	2.73	2.19	1.65	1.33	0.94	0.72
HZS12-2.9	16.0	11.5	8.85	7.05	5.82	4.99	4.40	3.98	3.62	2.92	2.18	1.75	1.24	0.95
HZS12-3.3	18.3	12.9	9.92	7.91	6.60	5.66	5.00	4.49	4.09	3.33	2.48	1.98	1.41	1.08
HZS12-5	41.2	25.2	19.2	15.8	13.7	12.1	10.7	9.53	8.60	6.62	4.58	3.53	2.43	1.88
HZS12-5HR	41.2	25.2	19.2	15.8	13.7	12.1	10.7	9.53	8.60	6.62	4.58	3.53	2.43	1.88
HZS12-6HR	53.9	32.8	24.6	20.0	16.9	14.7	13.0	11.7	10.7	8.48	6.19	4.93	3.50	2.74
HZS12-7	49.0	30.4	22.7	18.4	15.6	13.6	12.2	11.1	10.3	8.45	6.40	5.17	3.78	3.00
HZS12-7.5	48.0	29.2	22.4	18.7	16.1	14.3	12.7	11.6	10.6	8.60	6.37	5.08	3.59	2.78
HZS12-7.5HR	67.9	43.2	34.0	27.9	23.6	20.5	18.3	16.5	15.1	11.90	8.19	6.39	4.57	3.70
HZS12-10	48.0	37.2	32.4	27.3	23.5	20.6	18.5	16.8	15.5	12.6	9.33	7.68	5.67	4.45
HZS12-12	71.4	50.0	40.4	33.4	28.6	25.2	22.5	20.5	18.9	15.3	11.3	9.26	6.86	5.50
HZS12-12HR	100	60.0	46.6	39.0	33.6	29.6	26.7	24.4	22.5	18.3	13.7	10.9	7.89	6.13
HZS12-18	173	99.1	72.3	59.0	50.3	43.9	39.0	35.2	32.4	25.9	18.6	14.6	10.29	8.14
HZS12-26	140	100	79.8	65.6	56.2	49.3	43.9	39.7	36.2	28.9	20.9	16.7	12.3	9.80
HZS12-33	205	146	115	95.1	81.2	71.1	63.3	56.9	51.9	41.0	28.8	22.3	15.6	12.1
HZS12-44	245	194	153	125	106	92.3	82.3	74.1	67.5	53.5	37.8	29.3	20.2	15.5
HZS12-70J	353	279	226	189	163	145	130	118	108	86.3	60.8	46.8	32.2	24.7
HZS12-100	533	389	312	262	227	199	179	163	151	121	86.5	67.4	47.1	36.5

Model No.	Watts per cell			Watts per cell load to 1.70 vpc @ 20/25 °C										
	5	10	15	20	25	30	35	40	45	60	90	2 hr	3 hr	4 hr
HZS4-4.5	22.7	15.9	12.7	10.7	9.40	8.52	7.78	7.19	6.72	5.59	4.14	3.28	2.31	1.77
HZS4-9	69.9	44.8	33.9	27.6	23.5	21.0	19.0	17.3	15.9	12.8	9.54	7.67	5.48	4.24
HZS6-1	6.87	4.13	3.16	2.65	2.29	2.01	1.79	1.61	1.47	1.17	0.85	0.68	0.50	0.40
HZS6-1.3	8.38	5.04	3.86	3.23	2.79	2.45	2.19	1.97	1.79	1.42	1.04	0.83	0.61	0.48
HZS6-3.2	30.8	17.5	12.5	9.87	8.21	7.03	6.19	5.56	5.07	4.06	3.02	2.42	1.78	1.43
HZS6-4.5	22.7	15.9	12.7	10.7	9.40	8.52	7.78	7.19	6.72	5.59	4.14	3.28	2.31	1.77
HZS6-7.2	50.0	31.1	23.2	18.8	15.9	13.9	12.4	11.3	10.5	8.63	6.54	5.28	3.86	3.07
HZS6-10	49.1	38.0	33.1	27.9	24.0	21.1	18.9	17.2	15.8	12.9	9.54	7.84	5.79	4.55
HZS6-12	73.0	51.1	41.2	34.2	29.2	25.7	23.0	20.9	19.3	15.6	11.6	9.46	7.01	5.62
HZS6-14	77.0	55.0	42.4	33.6	27.7	23.8	21.0	19.0	17.8	14.0	10.3	8.27	5.85	4.48
HZS6-20	125	90.0	66.0	54.3	48.0	42.5	37.7	34.1	31.5	26.0	19.6	15.7	11.7	9.70
HZS12-0.8	5.53	3.32	2.55	2.13	1.84	1.62	1.44	1.30	1.18	0.94	0.68	0.55	0.40	0.32
HZS12-1.3	8.38	5.04	3.86	3.23	2.79	2.45	2.19	1.97	1.79	1.42	1.04	0.83	0.61	0.48
HZS12-2.2	12.4	8.88	6.84	5.43	4.47	3.82	3.37	3.03	2.77	2.22	1.66	1.33	0.94	0.72
HZS12-2.9	16.4	11.7	9.02	7.16	5.89	5.07	4.47	4.04	3.66	2.96	2.19	1.76	1.24	0.95
HZS12-3.3	18.6	13.3	10.1	8.05	6.70	5.77	5.08	4.58	4.16	3.37	2.50	2.00	1.42	1.08
HZS12-5	42.1	25.8	19.6	16.2	14.0	12.3	10.9	9.73	8.79	6.77	4.68	3.61	2.49	1.92
HZS12-5HR	42.1	25.8	19.6	16.2	14.0	12.3	10.9	9.73	8.79	6.77	4.68	3.61	2.49	1.92
HZS12-6HR	55.1	33.5	25.2	20.4	17.3	15.0	13.3	12.0	10.9	8.67	6.32	5.04	3.58	2.80
HZS12-7	50.0	31.1	23.2	18.8	15.9	13.9	12.4	11.3	10.5	8.63	6.54	5.28	3.86	3.07
HZS12-7.5	49.1	29.9	22.9	19.1	16.5	14.6	13.0	11.8	10.8	8.79	6.51	5.19	3.67	2.84
HZS12-7.5HR	69.4	44.2	34.7	28.5	24.2	21.0	18.7	16.9	15.5	12.16	8.37	6.53	4.67	3.78
HZS12-10	49.1	38.0	33.1	27.9	24.0	21.1	18.9	17.2	15.8	12.9	9.54	7.84	5.79	4.55
HZS12-12	73.0	51.1	41.2	34.2	29.2	25.7	23.0	20.9	19.3	15.6	11.6	9.46	7.01	5.62
HZS12-12HR	102	61.3	47.7	39.9	34.3	30.3	27.3	24.9	23.0	18.7	14.0	11.1	8.06	6.26
HZS12-18	177	101.3	73.9	60.3	51.4	44.8	39.9	36.0	33.1	26.5	19.1	14.9	10.52	8.31
HZS12-26	144	103	81.6	67.0	57.2	50.1	44.6	40.2	36.7	29.2	21.1	16.9	12.4	9.87
HZS12-33	210	148	116	96.2	82.2	71.7	63.8	57.4	52.3	41.2	28.9	22.4	15.7	12.2
HZS12-44	253	198	156	127	108	93.6	83.0	74.7	68.1	54.0	38.1	29.6	20.3	15.6
HZS12-70J	370	289	232	193	166	147	132	120	110	87.2	61.4	47.2	32.4	24.9
HZS12-100	559	400	320	267	230	202	181	165	152	122	87.4	68.0	47.5	36.8

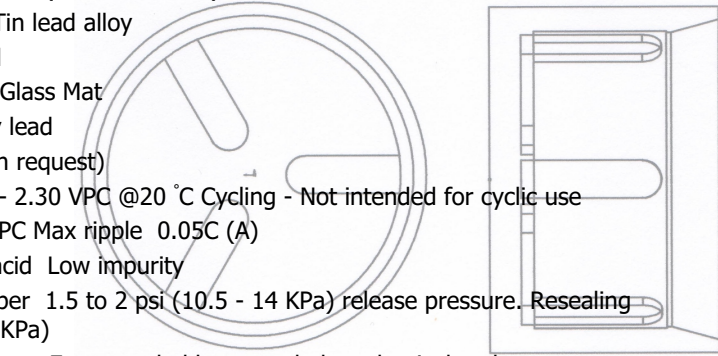
Watts per cell		Watts per cell load to 1.65 vpc @ 20/25 °C												
Model No.	5	10	15	20	25	30	35	40	45	60	90	2 hr	3 hr	4 hr
HZS4-4.5	23.0	16.1	12.8	10.9	9.52	8.63	7.88	7.28	6.81	5.66	4.19	3.32	2.34	1.79
HZS4-9	70.8	45.4	34.4	27.9	23.8	21.3	19.2	17.5	16.1	12.9	9.66	7.76	5.55	4.30
HZS6-1	6.96	4.18	3.20	2.68	2.32	2.04	1.82	1.63	1.49	1.18	0.86	0.69	0.50	0.40
HZS6-1.3	8.49	5.10	3.91	3.27	2.83	2.48	2.21	1.99	1.82	1.44	1.05	0.84	0.62	0.49
HZS6-3.2	31.2	17.7	12.7	9.99	8.32	7.12	6.27	5.63	5.13	4.11	3.05	2.45	1.81	1.44
HZS6-4.5	23.0	16.1	12.8	10.9	9.52	8.63	7.88	7.28	6.81	5.66	4.19	3.32	2.34	1.79
HZS6-7.2	50.7	31.5	23.5	19.0	16.1	14.1	12.6	11.5	10.7	8.74	6.62	5.35	3.91	3.11
HZS6-10	49.7	38.5	33.5	28.3	24.3	21.3	19.2	17.4	16.0	13.0	9.66	7.94	5.87	4.61
HZS6-12	73.9	51.8	41.8	34.6	29.6	26.1	23.3	21.2	19.5	15.8	11.7	9.58	7.10	5.69
HZS6-14	78.8	55.7	42.9	33.9	28.0	24.0	21.3	19.2	18.0	14.1	10.4	8.30	5.87	4.50
HZS6-20	128	92.0	68.0	55.5	48.1	42.8	37.9	34.3	31.6	26.2	19.8	15.8	11.8	9.75
HZS12-0.8	5.60	3.37	2.58	2.16	1.86	1.64	1.46	1.31	1.20	0.95	0.69	0.56	0.41	0.32
HZS12-1.3	8.49	5.10	3.91	3.27	2.83	2.48	2.21	1.99	1.82	1.44	1.05	0.84	0.62	0.49
HZS12-2.2	12.7	9.00	6.92	5.48	4.52	3.86	3.41	3.07	2.79	2.24	1.68	1.34	0.95	0.73
HZS12-2.9	16.8	11.9	9.12	7.22	5.96	5.11	4.53	4.09	3.70	3.00	2.21	1.77	1.25	0.96
HZS12-3.3	19.1	13.5	10.3	8.14	6.78	5.82	5.14	4.63	4.19	3.39	2.52	2.01	1.42	1.09
HZS12-5	42.6	26.1	19.9	16.4	14.2	12.5	11.0	9.86	8.90	6.85	4.74	3.65	2.52	1.94
HZS12-5HR	42.6	26.1	19.9	16.4	14.2	12.5	11.0	9.86	8.90	6.85	4.74	3.65	2.52	1.94
HZS12-6HR	55.8	33.9	25.5	20.7	17.5	15.2	13.5	12.1	11.0	8.78	6.40	5.10	3.63	2.83
HZS12-7	50.7	31.5	23.5	19.0	16.1	14.1	12.6	11.5	10.66	8.74	6.62	5.35	3.91	3.11
HZS12-7.5	49.7	30.2	23.2	19.3	16.7	14.8	13.2	12.0	11.0	8.90	6.60	5.26	3.72	2.87
HZS12-7.5HR	70.3	44.7	35.1	28.8	24.5	21.2	18.9	17.1	15.7	12.32	8.48	6.61	4.73	3.82
HZS12-10	49.7	38.5	33.5	28.3	24.3	21.3	19.2	17.4	16.0	13.0	9.66	7.94	5.87	4.61
HZS12-12	73.9	51.8	41.8	34.6	29.6	26.1	23.3	21.2	19.5	15.8	11.7	9.58	7.10	5.69
HZS12-12HR	103	62.1	48.3	40.4	34.8	30.6	27.6	25.2	23.3	19.0	14.2	11.28	8.17	6.34
HZS12-18	179	102.6	74.9	61.1	52.1	45.4	40.4	36.4	33.6	26.8	19.3	15.1	10.65	8.42
HZS12-26	151	105	82.9	67.8	57.9	50.7	45.1	40.7	37.1	29.5	21.3	17.0	12.5	9.95
HZS12-33	214	151	118	97.3	83.0	72.4	64.3	57.9	52.8	41.5	29.2	22.6	15.8	12.3
HZS12-44	257	202	158	129	109	94.5	83.7	75.4	68.7	54.6	38.5	29.8	20.5	15.7
HZS12-70J	384	298	237	196	168	149	133	121	111	88.0	61.8	47.6	32.6	25.0
HZS12-100	587	410	325	271	233	205	183	167	154	123	88.3	68.7	47.8	37.1

Watts per cell		Watts per cell load to 1.60 vpc @ 20/25 °C												
Model No.	5	10	15	20	25	30	35	40	45	60	90	2 hr	3 hr	4 hr
HZS4-4.5	23.2	16.3	13.0	11.0	9.61	8.71	7.95	7.35	6.87	5.71	4.23	3.35	2.36	1.81
HZS4-9	71.5	45.8	34.7	28.2	24.1	21.5	19.4	17.7	16.3	13.1	9.75	7.84	5.61	4.34
HZS6-1	7.03	4.22	3.24	2.71	2.34	2.06	1.83	1.65	1.50	1.19	0.87	0.70	0.51	0.40
HZS6-1.3	8.57	5.15	3.95	3.30	2.85	2.51	2.24	2.01	1.84	1.45	1.06	0.85	0.62	0.49
HZS6-3.2	31.5	17.8	12.8	10.09	8.40	7.19	6.33	5.69	5.18	4.15	3.08	2.48	1.82	1.46
HZS6-4.5	23.2	16.3	13.0	11.0	9.61	8.71	7.95	7.35	6.87	5.71	4.23	3.35	2.36	1.81
HZS6-7.2	51.2	31.8	23.8	19.2	16.3	14.2	12.7	11.6	10.8	8.83	6.69	5.40	3.95	3.14
HZS6-10	50.2	38.9	33.9	28.5	24.6	21.5	19.3	17.6	16.2	13.2	9.75	8.02	5.92	4.65
HZS6-12	74.7	52.3	42.2	35.0	29.9	26.3	23.5	21.4	19.7	16.0	11.8	9.67	7.17	5.75
HZS6-14	80.4	56.7	43.5	34.4	28.5	24.4	21.7	19.6	18.3	14.3	10.5	8.34	5.88	4.52
HZS6-20	131	94.0	69.0	56.0	48.3	43.0	38.0	34.4	31.7	26.3	20.0	16.0	11.9	9.80
HZS12-0.8	5.66	3.40	2.60	2.18	1.88	1.66	1.48	1.33	1.21	0.96	0.70	0.56	0.41	0.33
HZS12-1.3	8.57	5.15	3.95	3.30	2.85	2.51	2.24	2.01	1.84	1.45	1.06	0.85	0.62	0.49
HZS12-2.2	13.0	9.16	7.03	5.56	4.59	3.93	3.46	3.11	2.83	2.26	1.69	1.35	0.95	0.73
HZS12-2.9	17.1	12.1	9.26	7.32	6.02	5.19	4.59	4.14	3.74	3.02	2.23	1.77	1.25	0.96
HZS12-3.3	19.9	13.9	10.4	8.24	6.87	5.90	5.20	4.68	4.22	3.42	2.53	2.02	1.42	1.10
HZS12-5	43.0	26.3	20.1	16.5	14.3	12.6	11.1	9.95	8.99	6.92	4.79	3.69	2.54	1.96
HZS12-5HR	43.0	26.3	20.1	16.5	14.3	12.6	11.1	9.95	8.99	6.92	4.79	3.69	2.54	1.96
HZS12-6HR	56.3	34.3	25.7	20.9	17.7	15.4	13.6	12.2	11.1	8.86	6.47	5.15	3.66	2.86
HZS12-7	51.2	31.8	23.8	19.2	16.3	14.2	12.7	11.6	10.8	8.83	6.69	5.40	3.95	3.14
HZS12-7.5	50.2	30.5	23.4	19.5	16.9	14.9	13.3	12.1	11.1	8.99	6.66	5.31	3.75	2.90
HZS12-7.5HR	71.0	45.1	35.5	29.1	24.7	21.4	19.1	17.3	15.8	12.44	8.56	6.67	4.77	3.86
HZS12-10	50.2	38.9	33.9	28.5	24.6	21.5	19.3	17.6	16.2	13.2	9.75	8.02	5.92	4.65
HZS12-12	74.7	52.3	42.2	35.0	29.9	26.3	23.5	21.4	19.7	16.0	11.8	9.67	7.17	5.75
HZS12-12HR	104	62.7	48.7	40.8	35.1	30.9	27.9	25.5	23.5	19.2	14.3	11.4	8.25	6.40
HZS12-18	179	102.6	74.9	61.1	52.1	45.4	40.4	36.4	33.6	26.8	19.3	15.1	10.65	8.42
HZS12-26	157	108	84.2	68.7	58.5	51.1	45.6	41.1	37.5	29.7	21.4	17.1	12.6	10.0
HZS12-33	219	155	120	98.4	83.8	73.1	65.0	58.5	53.3	41.9	29.5	22.8	15.9	12.4
HZS12-44	265	206	160	130	110	95.6	84.7	76.1	69.3	54.9	38.7	30.0	20.6	15.8
HZS12-70J	402	305	242	199	170	150	135	122	111	88.7	62.3	47.9	32.8	25.2
HZS12-100	617	420	330	275	236	207	185	168	155	124	89.0	69.0	48.1	37.3

Specifications

Nominal Voltage	4, 6 & 12 Volts
Design Life	5 Years
Operating Temperature	-20 °C to 50 °C (Recommended)
Grid alloy	Calcium / Tin lead alloy
Plates	Flat Pasted
Separator	Absorbant Glass Mat
Active material	High purity lead
Case and cover	ABS (VO on request)
Charge Voltage	Float 2.27 - 2.30 VPC @20 °C Cycling - Not intended for cyclic use Max. 2.4 VPC Max ripple 0.05C (A)
Electrolyte	Sulphuric acid Low impurity
Venting Valve	EPDM Rubber 1.5 to 2 psi (10.5 - 14 KPa) release pressure. Resealing at 1 psi (7 KPa)
Terminal	Various types. Epoxy sealed by extended mechanical paths
Torque setting	The recommended torque value for all screw types is 5-7 Nm
Cables	Insulated cables / connectors supplied on request.

Haze Battery Company keenly encourages environmental awareness; PLEASE follow guidelines for the recycling /disposal of lead.



Innovative Features

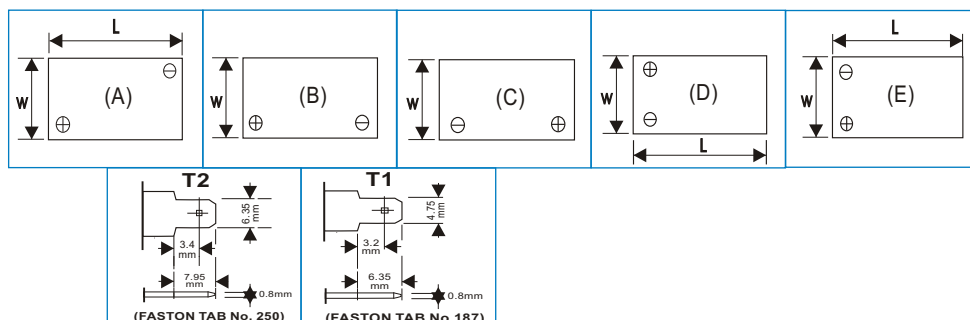
- Maintenance free i.e. sealed construction eliminates the need for watering
- Increased durability for heavy demand applications
- Fully jar formed plates
- Low impurity electrolyte
- Spill proof / leak proof
- Valve regulated Max internal pressure 2.5 psi
- Multi-position usage
- ABS Case and cover - V0 on request
- Low self discharge
- FAA and IATA approved as non-hazardous.



Applications

- Float service
- Uninterruptible Power Supplies
- Medical
- Telecommunications
- Switch Gear
- Wind
- Control Systems
- Cellular Radio Stations
- Cathodic Protection
- Navigation Aids
- Marine equipment
- Electric Power Systems

Terminal details



Dimensions	Metric mm/kg					Imperial inches/lbs					Terminal	Terminal Layout	Box Qty
	Length	Width	Height	Inc tabs	Kg	Length	Width	Height	Inc tabs	Lbs			
HZS4-4.5	47	47	101	107	0.58	1.85	1.85	3.98	4.21	1.3	T1	C	20
HZS4-9	102	44	95	101	1.13	4.02	1.73	3.74	3.98	2.5	T1	B	20
HZS06-1	51	42	51	56	0.23	2.01	1.65	2.01	2.20	0.5	T1	B	20
HZS06-1.3	98	25	52	58	0.30	3.86	0.98	2.05	2.28	0.7	T1	B	40
HZS06-3.2	134	34	60	66	0.70	5.28	1.34	2.36	2.60	1.5	T1	B	20
HZS6-4.5	70	47	101	107	0.85	2.76	1.85	3.98	4.21	1.9	T1	A	20
HZS6-7.2	150	34	94	100	1.16	5.91	1.34	3.70	3.94	2.6	T1	B	10
HZS6-10	151	50	95	101	1.67	5.94	1.97	3.74	3.98	3.7	T1	B	10
HZS6-12	151	50	95	101	1.85	5.94	1.97	3.74	3.98	4.1	T2	B	10
HZS06-14 TOY	107.5	70.5	141	141	2.5	4.23	2.78	5.55	5.55	5.5	T2 or Cable	B	8
HZS06-20	157	83	126	126	3.5	6.18	3.27	4.96	4.96	7.7	Cu Flag	B	6
HZS12-0.8	96	25	62	62	0.35	3.78	0.98	2.44	2.44	0.8	T1	Cable	20
HZS12-1.3	97	43.5	53	59	0.57	3.82	1.71	2.09	2.32	1.3	T1	E	15
HZS12-2.2	178.5	35	60	66	0.92	7.03	1.38	2.36	2.60	2.0	T1	B	20
HZS12-2.9	79	56	98	104	1.07	3.11	2.20	3.86	4.09	2.4	T1	C	20
HZS12-3.3	134	67	61	67	1.42	5.28	2.64	2.40	2.64	3.1	T1	C	10
HZS12-5	70	90	101	107	1.68	2.76	3.54	3.98	4.21	3.7	T1	D	10
HZS12-5HR	139	48	103	103	1.90	5.47	1.89	4.06	4.06	4.2	T2/T1	B	10
HZS12-6HR	151	51	93	99	2.08	5.94	2.01	3.66	3.90	4.6	T1	D	5
HZS12-7	151	65	94	100	2.20	5.94	2.56	3.70	3.94	4.9	T1	D	8
HZS12-7.5	151	65	94	100	2.44	5.94	2.56	3.70	3.94	5.4	T2	D	8
HZS12-7.5HR	151	65	94	102	2.64	5.94	2.56	3.70	4.02	5.8	T2	D	8
HZS12-10	151	65	110	118	3.11	5.94	2.56	4.33	4.65	6.9	T2	D	8
HZS12-12	152	98	96	102	3.50	5.98	3.86	3.78	4.02	7.7	T2	D	4
HZS12-12HR	152	99	96	102	3.93	5.98	3.90	3.78	4.02	8.7	T2	D	4
HZS12-18	181	76	167	167	5.30	7.13	2.99	6.57	6.57	11.7	Insert M5	C	1
HZS12-26	168	178	124	124	8.1	6.61	7.01	4.88	4.88	17.9	Insert M5	C	1
HZS12-33	195	130	160	160	10.7	7.68	5.12	6.30	6.30	23.6	Insert M6	B	1
HZS12-44	198	167	157	158	13.3	7.80	6.57	6.18	6.22	29.4	Insert M6	C	1
HZS12-70J	349	168	175	176	21.1	13.74	6.61	6.89	6.93	46.6	Insert M6	C	1
HZS12-100	306	168	211	212	29.6	12.05	6.61	8.31	8.35	65.4	Insert M6	B	1



Terminal Covers

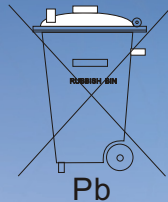
Haze can provide a range of connectors, flexible cables and terminal covers to suit the larger size batteries (Greater than HZS12-18). We can also provide Faston adapters:

- T1 to T2
- T2 to T1
- Insert to T1
- Insert to T2



All are made from tin plated brass for good electrical properties and corrosion resistance.

Website: www.hazebattery.com
E mail sales@hazebattery.com



VRLA Product Range

- 4, 6 & 12 Volt AGM 1.3 to 230AH
- 6 & 12 Volt Gel 7.5 to 230AH
- 12 Volt Front Access AGM
- 12 Volt Front Access Gel
- Electric Vehicle Range
- 2 Volt AGM & Gel 50 to 3850AH