

Contacts and Clips

Order code	Manufacturer code	Description
18-3545	n/a	POSITIVE A/AA BATTERY CLIP
18-3550	n/a	DUAL A/AA BATTERY CLIP
18-3530	n/a	SINGLE AAA/AAAA/N BATTERY CLIP
18-3535	n/a	DUAL AAA/AAAA/N BATTERY CLIP
18-3540	n/a	SINGLE A/AA BATTERY CLIP

Contacts and Clips	Page 1 of 2
The enclosed information is believed to be correct, Information may change 'without notice' due to product improvement. Users should ensure that the product is suitable for their use. E. & O. E.	Revision A 04/07/2003

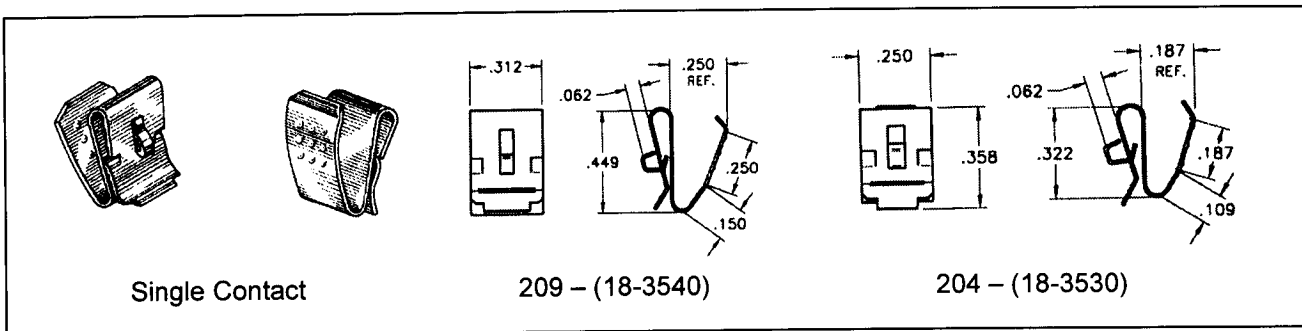
Snap-On Battery Contacts

Keystone

A range of economical and reliable snap-on contacts, ideal for moulded cases with self contained battery compartments. Single and dual types are available for single or series battery configurations.

Features

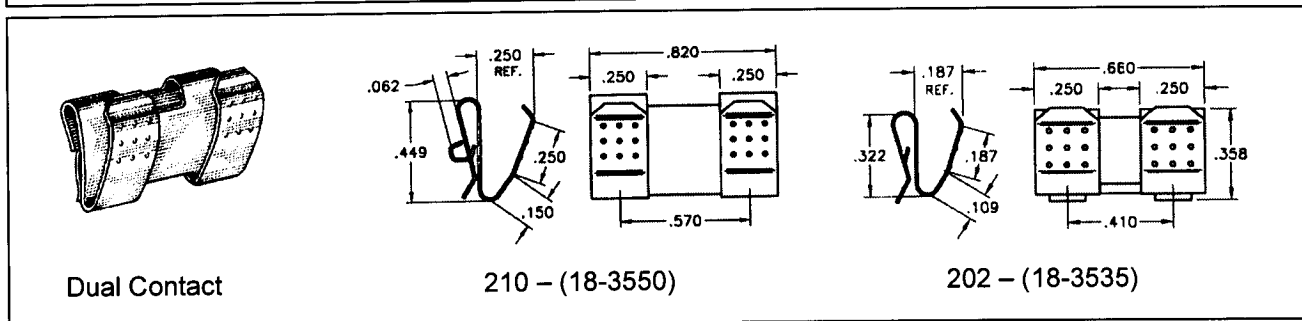
- Economical and reliable contacts are ideal for moulded cases with self contained battery compartments
- Single & dual contact designs available for "A" – "AA" – "AAA" – "AAAA" – "N" size batteries
- Solder "ear" to facilitate soldering of wire lead
- Unique spring tension contact adjusts to variations in battery length
- Reliable spring tension contacts assure low contact resistance
- Clips easily onto 0.060 to 0.070 thick panel edges
- Sharp barbs securely anchor contact in place
- Material: Spring Steel, Nickel Plate



Single Contact

209 – (18-3540)

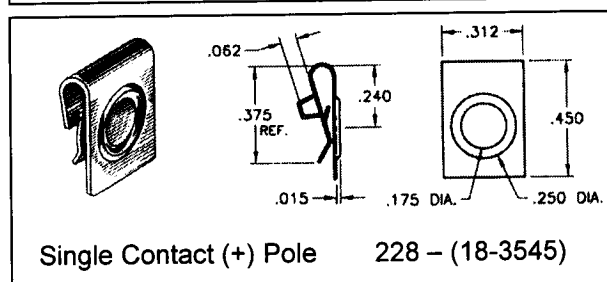
204 – (18-3530)



Dual Contact

210 – (18-3550)

202 – (18-3535)



Single Contact (+) Pole

228 – (18-3545)

Keystone Code	Description
204	Single AAA/AAAA/N Battery Clip
202	Dual AAA/AAAA/N Battery Clip
209	Single A/AAA Battery Clip
228	Positive A/AA Battery Clip
210	Dual A/AAA Battery Clip