

## Contacts and Clips

Order code	Manufacturer code	Description
18-3555	n/a	COIN CELL CONTACT

Contacts and Clips	Page 1 of 2
The enclosed information is believed to be correct, Information may change 'without notice' due to product improvement. Users should ensure that the product is suitable for their use. E. & O. E.	Revision A 04/07/2003

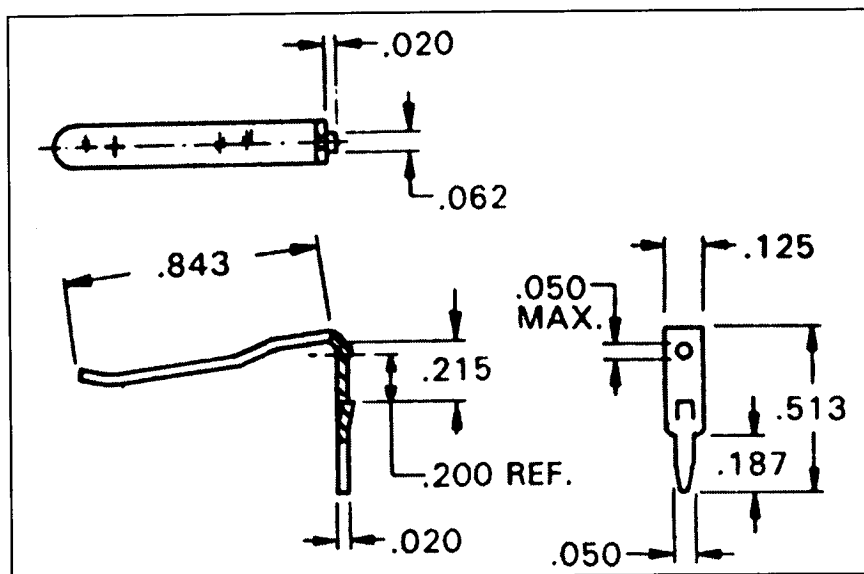
## PCB Coin Cell Battery Contact

### **Keystone Cat. No. 105-2.**

A nickel plated 0.5mm spring steel positive clip for retaining and connecting to coin cells. Designed for PCB mounting in self-contained, custom moulded non-metallic battery compartments. Reliable spring tension assures low contact resistance.

### Features

- Contact stamped with '+' symbol.
- Material: Spring Steel, Nickel Plated
- Material Thickness: 0.020



Keystone Code	Description
105-2	PCB Mounting Battery Contact