

## Contacts and Clips

Order code	Manufacturer code	Description
18-3570	n/a	12MM SMT COIN CELL RETAINER
18-3575	n/a	12MM THM COIN CELL RETAINER
18-3580	n/a	20MM STM COIN CELL RETAINER
18-3585	n/a	20MM THM COIN CELL RETAINER
18-3590	n/a	23MM SMT COIN CELL RETAINER
18-3595	n/a	23MM THM COIN CELL RETAINER
18-3600	n/a	24MM SMT COIN CELL RETAINER
18-3605	n/a	24MM THM COIN CELL RETAINER

Contacts and Clips	Page 1 of 2
The enclosed information is believed to be correct, Information may change 'without notice' due to product improvement. Users should ensure that the product is suitable for their use. E. & O. E.	Revision A 04/07/2003

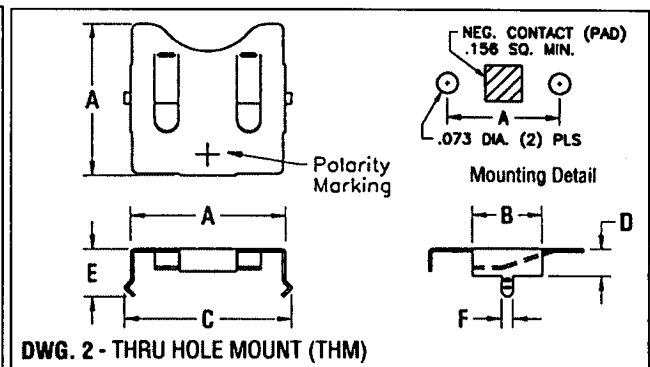
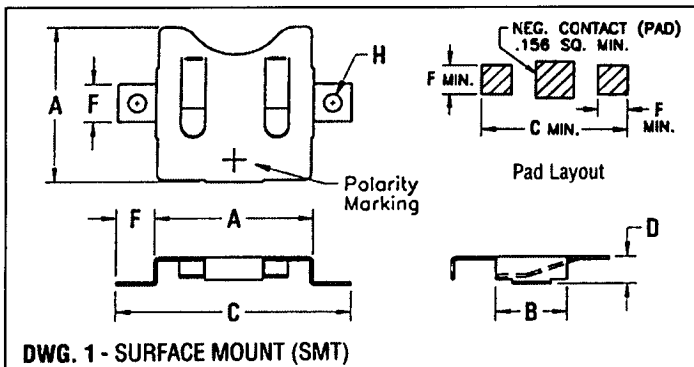
## Lithium Coin Cell Retainer Contacts

### Keystone

A range of economical and reliable retainer contacts designed for quick and easy battery installation and replacement. Perfect for memory backup applications where the ultra low profile allows high density packing of PCBs. Available in both surface and through hole mount to accommodate cell diameters from 12 to 24mm. Negative battery connection is achieved by the battery contacting the PCB track directly.

### Features

- Low profile for densely packed PCB's
- Retains cell securely, withstands shocks and vibration
- Reliable dual spring contacts assure low contact resistance
- Safe for all soldering & reflow operations
- Polarity clearly marked (+)
- Stable through mount legs for increased strength
- Balanced & lightweight for reliable pick up & placement
- Compatible with vacuum and mechanical pick & place assembly systems
- "Flow-Hole" SMT solder tail design for increased joint strength
- Viewable solder tails assures reliable joint inspection



Keystone Code	Dwg. No.	Mtg. Type	Dimensions							Cell Ø
			A	B	C	D	E	F	H Ø	
3000	1	SMT	0.520	0.281	0.770	0.118	-	0.125	0.047	12 mm
3001	2	THM	0.520	0.281	0.585	0.118	0.229	0.062	-	
3002	1	SMT	0.781	0.371	1.220	0.145	-	0.200	0.093	20 mm
3003	2	THM	0.781	0.371	0.886	0.145	0.270	0.062	-	
3004	1	SMT	0.939	0.371	1.339	0.145	-	0.200	0.093	23 mm
3005	2	THM	0.939	0.371	1.004	0.145	0.256	0.062	-	
3006	1	SMT	1.000	0.371	1.400	0.145	-	0.200	0.093	24 mm
3007	2	THM	1.000	0.371	1.065	0.145	0.256	0.062	-	