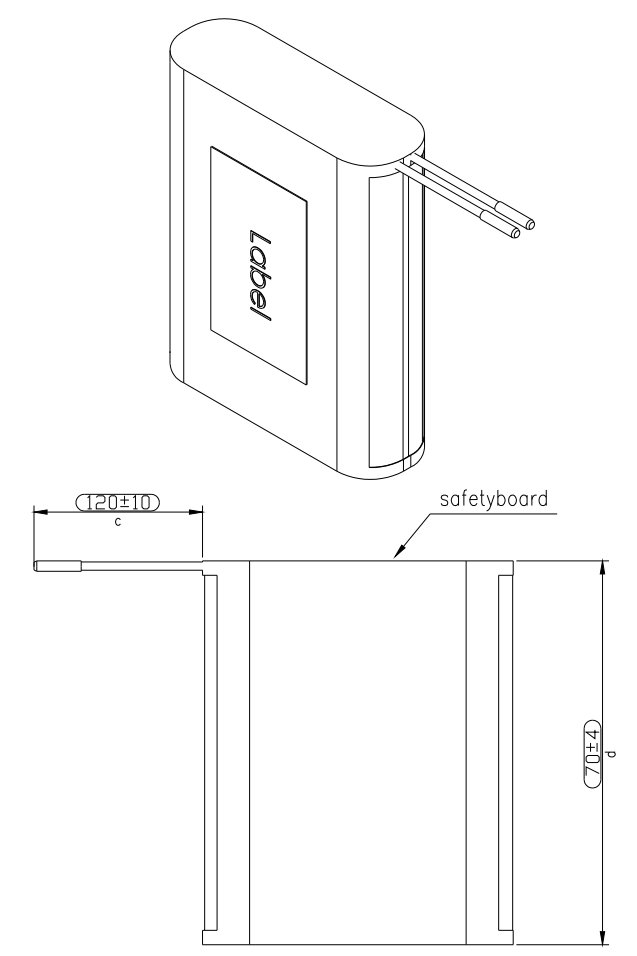
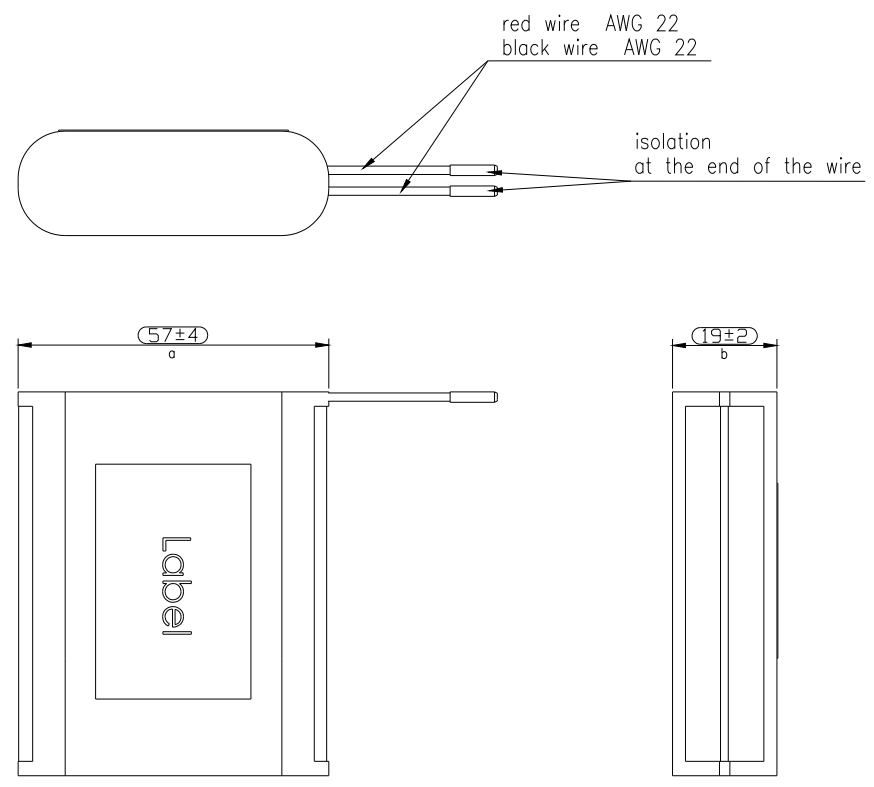


The supplier acknowledges that, with the acceptance of the drawing, he is in a position to manufacture the illustrated part in accordance with the drawing in reproducible form and series production. Through the selected manufacturing processes no impairments will arise in the material and structure which could subsequently lead to an impairment of the components. Technical agreements over and above that are not valid. Deviations from this list must be written and must be signed by the purchaser.

This drawing may only be applied, reproduced or made available to third parties in any way whatsoever without of prior written approval.

Technische Daten/ technical data	:	Akkupack/ batterypack
Chemie/ chemistry	:	Lithium Ion
Zellenzahl/ no. of cells	:	3 Zellen/ cells INR18650 M26 LG ; 3S1P
Kapazität/ capacity	:	nom. 2600mAh discharge at 0.2C min. 2500mAh discharge at 0.2C
		ta:20°C; EV(Discharge End Voltage): 2.75V per cell
Innenwiderstand/ impedance	:	< 240mOhm (battery and safetyboard)
Nominalspannung/ nominal voltage	:	10.8V
Standard Ladespannung/ standard charge voltage	:	12.6V±1%
Standard Entladespannung/ standard discharge voltage	:	8.25V
Nominaler Ladestrom/ nominal charge current	:	0.5C
Maximaler Ladestrom/ maximum charge current	:	1C
Ladeendstrom/ charge end current	:	0.01C recommended
Maximaler Entladestrom/ maximum discharge current	:	5A (limited by safety board)
Anwendungstemperaturbereich/ ambient temperature range	:	0°C...+45°C charge -20°C...+60°C discharge -20°C...+20°C storage max. 1 year -20°C...+45°C storage max. 3months
Selbstentladung/ self discharge	:	≤ 5% / month at 20°C ≤ 10% / month at 30°C ≤ 20% / month at 40°C
Standards/	:	UN 3480, Subsection 38.3 All cells and batterypacks type tested according to UN manual of test and criteria subsection 38.3
Technische Daten/ technical data	:	Sicherheitsschaltung/ safety board
Überladeschutzspannung/ over charge voltage detection	:	4.35V±25mV per cell
Wiedereinschaltspannung/ over charge release voltage	:	4.15V±50mV per cell
Entladeabschaltspannung/ over discharge detection voltage	:	2.4V±80mV per cell
Wiedereinschaltspannung/ over discharge release voltage	:	3V±100mV per cell
Nominaler Lade/Entladestrom / nominal operating current	:	5A
Entlade Abschaltstrom/ discharge cut off current	:	12A± 2A
Kurzschlusschutz/ short circuit protection	:	gegen äußeren Kurzschluss/ against external short circuit
Temperaturerhalter/ temperature switch	:	PTC: JK-P730 20V/ 7.3A at 25°C ; 6.2A at 40°C
MOSFET	:	im Pluszweig in positive path
Rückstellkriterium/ release condition	:	Last trennen, Aktiv nach Anladen/ cut load, release after charging up
Nettogewicht/ net weight	:	145g
Leiterplattenmaterial/ pcb material	:	FR4
Standards	:	CE, UKCA



batterypack covered with 1 layer of blue shrinktube

Part Number	SAP Description
2447-3031-02	Li-Ion-10.8V-2600mAh-3S1P-M26
2447-3031-202	Li-Ion-10.8V-2600mAh-3S1P-M26/UK

Allowable deviation general tolerances		Surface:		Material:		Weight	
DIN ISO 2768-m				Scale (DIN A2): 1:1		Projection method 1	
Drawn by	Date	Name		Product name:			
25.01.2019		MSt		Li-Ion-10.8V-2600mAh-3S1P-M26			
Changed by				Part number		Project:	
				2447-3031-X02		IS-00423	
V4	standards updated	01.06.2021	DS	Application range for inquiry		AN-IS-2013-00423	
V3	corrected label direction	17.06.2020	XJ	Sheet		1/1	
V2	change request: DE-20-5013	24.03.2020	MSt				
V1	part number overview added	15.04.2019	DS				
Version	Change	Date	Name				

