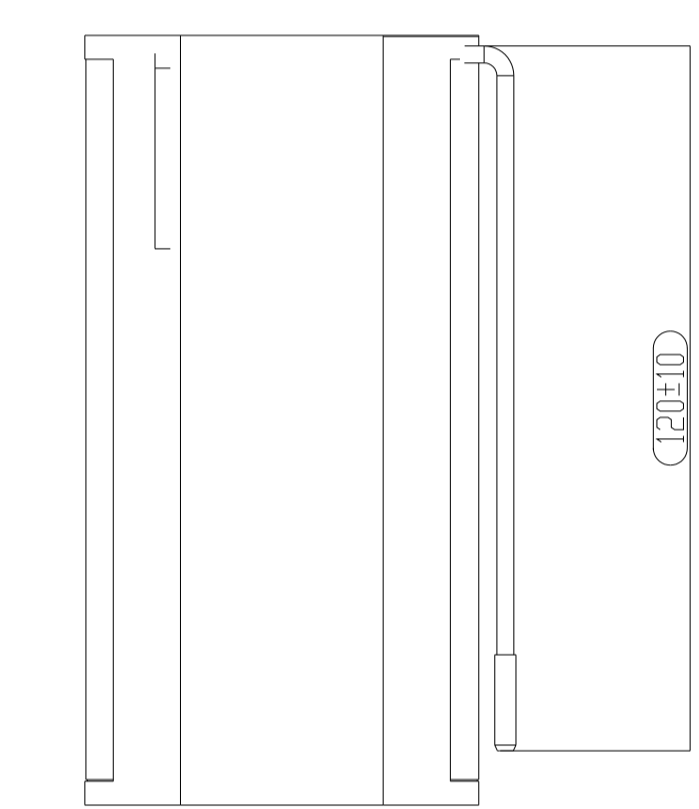
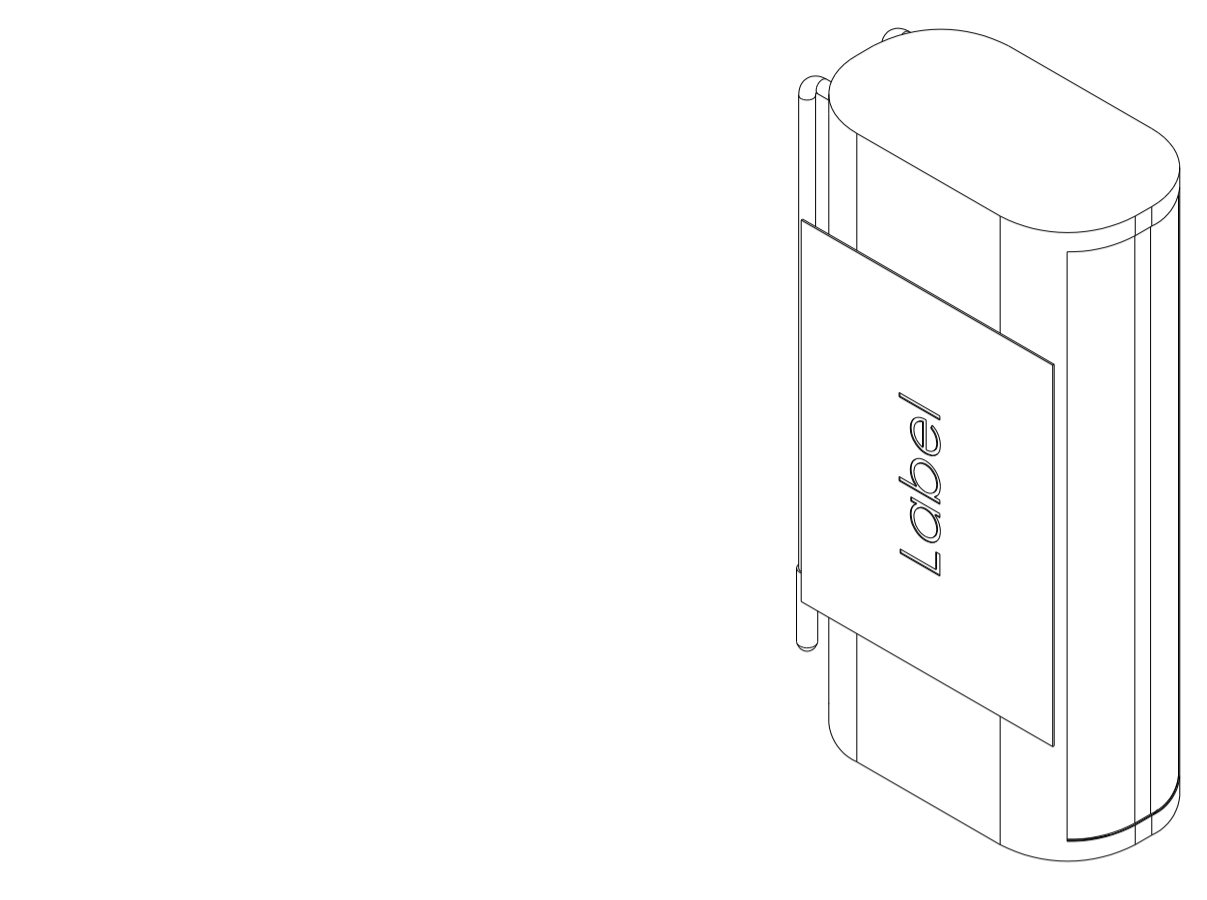
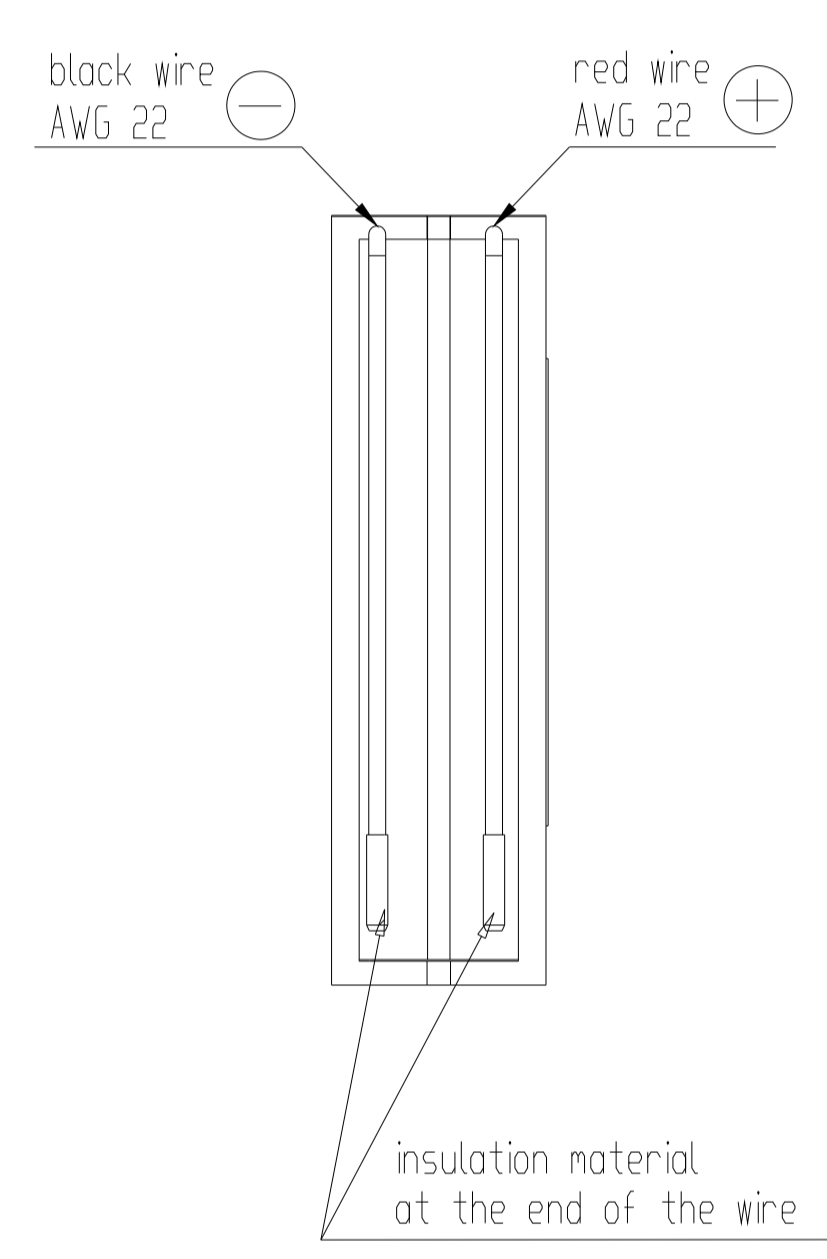
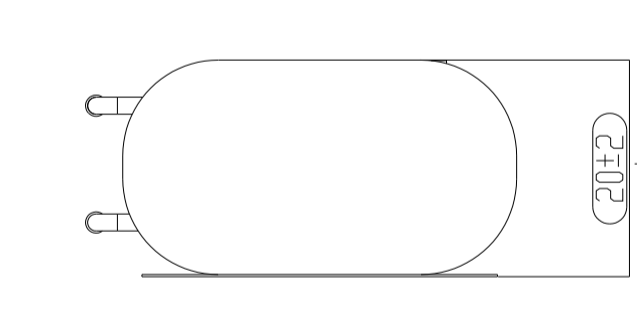
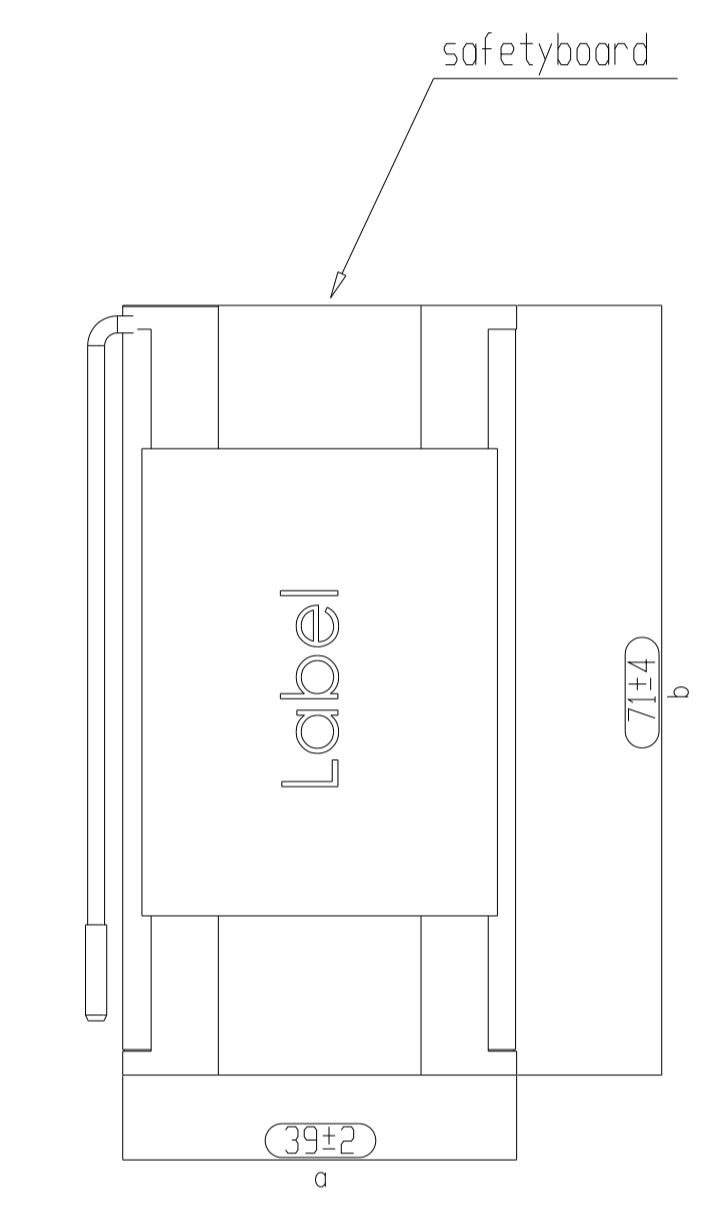
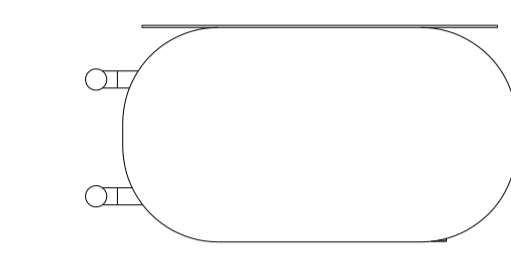


Technische Daten/ technical data	: Akkupack/ batterypack
Chemie/ chemistry	: Lithium Ion
Model name	: 18650 2S1P 2INR19/66
Zellenzahl/ no. of cells	: 2 Zellen/ cells
Zellentyp/ cell type	: LG Chem <u>INR18650 MJ1</u>
Kapazität/ capacity	: nom. 3500mAh discharge at 0.2C min. 3350mAh discharge at 0.2C ta20°C; EV(Discharge End Voltage): 2.5V per cell
Innenwiderstand/ impedance	: < 140mOhm (battery and safetyboard)
Nominalspannung/ nominal voltage	: 7.27V
Standard Ladespannung/ standard charge voltage	: 8.4V
Standard Entladespannung/ standard discharge voltage	: 5.0V
Nominale Ladestrom/ nominal charge current	: 0.5C
Maximaler Ladestrom/ maximum charge current	: 1C
Ladeendstrom/ charge end current	: 0.01C recommended
Maximaler Entladestrom/ maximum discharge current	: 5000mA (limited by safetyboard)
Anwendungstemperaturbereich/ ambient temperature range	: 0°C...+45°C charge -20°C...+60°C discharge -20°C...+30°C storage max. 1 year -20°C...+45°C storage max. 3months
Selbstentladung/ self discharge	: ≤ 5% / month at 20°C ≤ 10% / month at 30°C ≤ 20% / month at 40°C
Standards/	: UN 3480, Subsection 38.3 All cells and batterypacks type tested according to UN manual of test and criteria subsection 38.3 IEC62133-2:2017
Technische Daten/ technical data	: Sicherheitsschaltung/ safety board (0180-3029)
Überladeschutzspannung/ over charge voltage detection	: 4.3V±25mV per cell
Wiedereinschaltspannung/ over charge release voltage	: 4.1V±50mV per cell
Entladeabschaltspannung/ over discharge detection voltage	: 2.4V±50mV per cell
Wiedereinschaltspannung/ over discharge release voltage	: 3.0V±100mV per cell
Nominale Lade/Entladestrom/ nominal operating current	: 5A
Entlade Abschaltstrom/ discharge cut off current	: 13A± 3A
Kurzschlusschutz/ short circuit protection	: gegen äußeren Kurzschluss/ against external short circuit
Temperaturschalter/ temperature switch	: PTC : JK-P730 20V/7.3A at 25°C; 6.2A at 40°C
MOSFET	: in Masse in Gnd
Rückstellkriterium/ release condition	: Last trennen, Aktiv nach Anladen/ cut load, release after charging up
Leiterplattenmaterial/ pcb material	: FR4
Nettogewicht/ net weight	: ca./ approx. 101g
Standards	: CE, UKCA



Batterypack covered with 2 layers of blue shrinktube

Part Number	SAP Description
2447-3030-20	Li-Ion-7.27V-3500mAh-2S1P-PTC/LG
2447-3030-220	Li-Ion-7.27V-3500mAh-2S1P-PTC/UK

Allowable deviation general tolerances		Surface:		Material:		Weight	
DIN ISO 2768-m				Scale (DIN A2): 1:1		Projection method 1	
V7 standards updated 07.06.2021 DS		Date Name		Product name: Li-Ion-7.27V-3500mAh-2S1P-PTC/LG			
V6 change request: GB-20-7004 04.03.2020 DS		Drawn by 12.10.2016 JX					
V5 change request: DE-20-5013 13.02.2020 MST		Changed by					
V4 add the BP model name 13.01.2020 JX							
V3 part number overview added 15.04.2019 DS							
V2 cable length changed 16.01.2018 DS							
V1 change request: DE-17-0071 14.11.2017 DS				Part number 2447-3030-X20		Project: IS-01263	
V0 created this D/S 12.10.2016 JX				Application range for inquiry XXX/XX		Sheet 1/1	
Version	Change	Date	Name				

The supplier acknowledges that, with the acceptance of the drawing, he is in a position to manufacture the illustrated part in accordance with the drawing in reproducible form. He is not liable for any damage or impairment of the component. Verbal agreements over and above that are not valid. Deviations from this rule must be written and signed by the purchaser.

This drawing may not be copied, reproduced or made available to third parties in any way whatsoever without or prior written approval.