

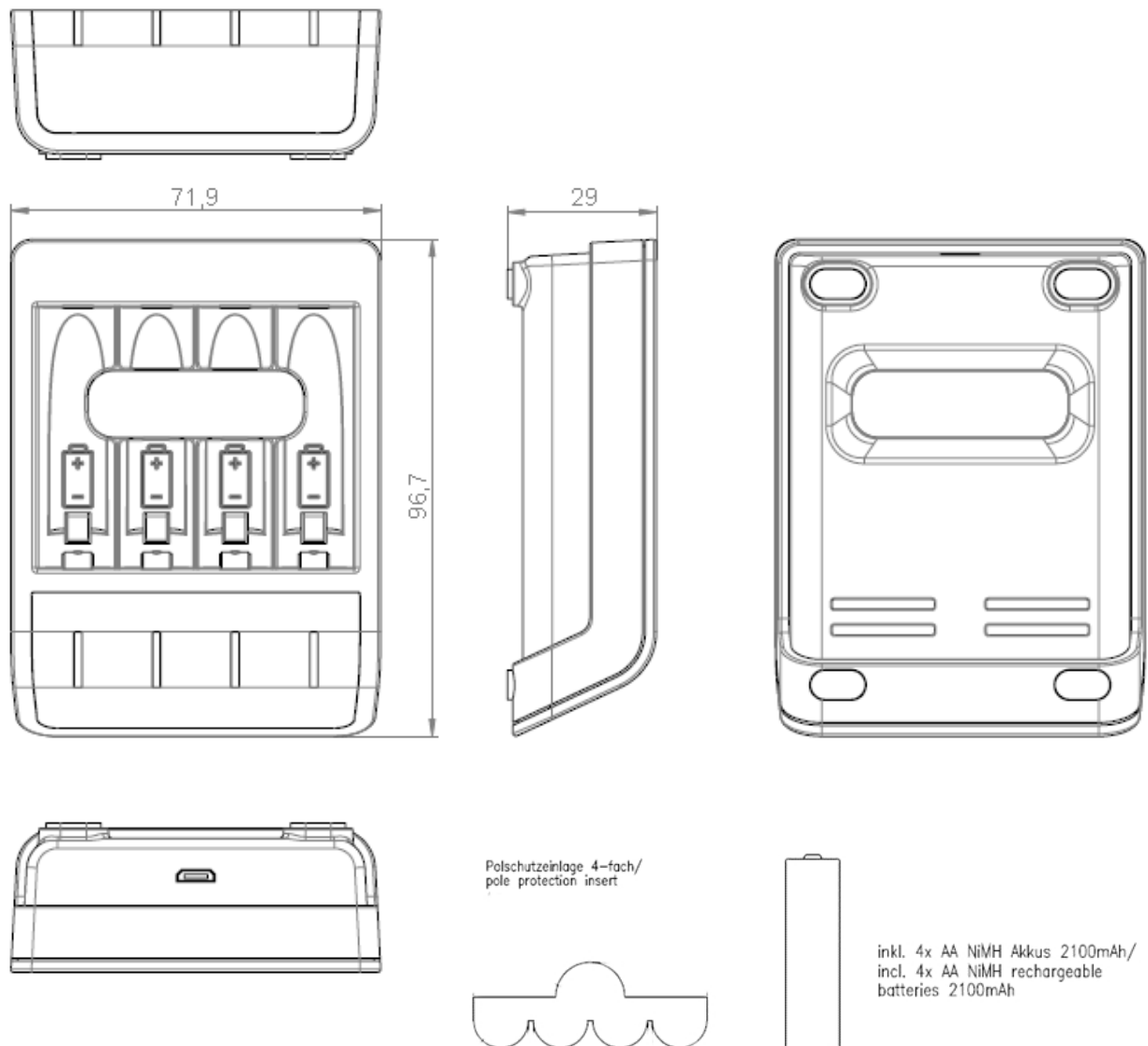


Produktname | *Product name*: Comfort Smart inkl. 4x AA 2100mAh NiMH
 Artikelnummer | *Part Number*: 1001-0092-01
 Anfragenummer | *Inquiry Number*: AN-LN-2018-330-01
 Ersteller / Datum | *Creator / Date*: ka / 2020-03-19

| Version | Änderung / Change | Datum / Date | Name |
|---------|-------------------|--------------|------|
| | | | |
| | | | |
| | | | |
| V01 | AN number changed | 2020-03-25 | |
| V00 | --- | 2020-03-19 | ka |

Template name: ANSMANN xxxx-xxxx_0DA, Template version: V27

Zeichnung des Ladegerätes / Drawing of the charger



Allowable deviation / general tolerances DIN ISO 2768-c

Technische Daten des Ladegerätes / Technical data of the charger:



| | | | |
|--|--|--|---|
| DC Eingangsbuchse: | Micro USB Buchse | <i>DC input socket:</i> | <i>Micro USB socket</i> |
| DC Eingangsspannung: | 5V (±5%) | <i>DC input voltage:</i> | <i>5V (±5%)</i> |
| DC Eingangsstrom: | max. 2400 mA | <i>DC input current:</i> | <i>max. 2400 mA</i> |
| Schutzklasse: | III | <i>Protection class:</i> | <i>III</i> |
| Anzahl der Ladeschächte: | 4 | <i>Number of charging slots:</i> | <i>4</i> |
| Ladbare Akku-Chemie: | NiMH | <i>Chargeable battery chemistry:</i> | <i>NiMH</i> |
| Ladbare Akku-Größen: | Rundzellen: AA, AAA | <i>Chargeable battery size:</i> | <i>Round cells: AA, AAA</i> |
| Max. Zellenkapazität: | AAA Zellen: bis 1500mAh AA Zellen: bis 3000mAh | <i>Max. cell capacity:</i> | <i>AAA cells: up to 1500mAh AA cells: up to 3000mAh</i> |
| Ladeüberwachung / Ladeschlusserkennung: | Rundzellen: -dV, 0dV | <i>Charge control / Charge end detection:</i> | <i>Round cells: -dV, 0dV</i> |
| Nominale Ladespannung: | Rundzellen: 1,2V | <i>nominal charge voltage:</i> | <i>Round cells: 1.2V</i> |
| Ladestrom: | AAA: 400mA (±10%) AA: 800mA (±10%) | <i>Charge current:</i> | <i>AAA: 400mA (±10%) AA: 800mA (±10%)</i> |
| Erhaltungsladestrom: | AAA: 6,5mA (±10%) AA: 13mA (±10%) | <i>Trickle charge current:</i> | <i>AAA: 6.5mA (±10%) AA: 13mA (±10%)</i> |
| Sicherheitstimer: | AA/AAA: 5h (±10%) | <i>Security timer:</i> | <i>AA/AAA: 5h (±10%)</i> |
| Kurzschlusserkennung: | Ja | <i>Short circuit detection:</i> | <i>Yes</i> |
| 0V Ladefunktion: | Ja | <i>0V charge function:</i> | <i>Yes</i> |
| Alkaline Erkennung: | Ja | <i>Alkaline detection:</i> | <i>Yes</i> |
| Akku-Defekt-Erkennung: | Ja | <i>Battery defect detection:</i> | <i>Yes</i> |
| Verpolschutz: | Ja (Mechanisch) | <i>Wrong polarity protection:</i> | <i>Yes (Mechanical)</i> |
| LED Anzeige (Kapazitätsanzeige für die ersten 5 Sekunden nach Einlegen eines Akkus): | - Rot: < 25% - Orange: 25% – 75% - Grün: > 75% | <i>LED indication (Capacity indication for the first 5 seconds after inserting a battery):</i> | <i>- Red: < 25% - Orange: 25% – 75% - Green: > 75%</i> |
| LED Anzeige: (Eine Duo-LED pro Ladeschacht) | - Laden: Rot - Voll: Grün - Fehler: Rot blinken - Pause: Orange blinken | <i>LED indication: (One Duo-LED per charging slot)</i> | <i>- Charge: Red - Full: Green - Error: Red flashing - Pause: Orange flashing</i> |
| Schutzart: | IP20 | <i>Ingress Protection Marking:</i> | <i>IP20</i> |
| Gehäusematerial: | Kunststoff | <i>Housing material:</i> | <i>Plastic</i> |
| Gehäusetyp: | Tischgehäuse | <i>Housing type:</i> | <i>Desktop case</i> |
| Betriebstemperatur: | 0°C...25°C | <i>Operating temperature:</i> | <i>0°C...25°C</i> |
| Approbationen: | CE | <i>Approvals:</i> | <i>CE</i> |
| Gewicht: | 76 g (Lader) 212 g (Lader + Zubehör) | <i>Weight:</i> | <i>76 g (charger) 212 g (charger + accessories)</i> |

Allgemeine technische Daten / Common technical data:



| | | | |
|------------------|--|----------------------|---|
| Lagertemperatur: | -20°C...60°C | Storage temperature: | -20°C...60°C |
| Lieferumfang: | <ul style="list-style-type: none"> - Ladegerät - Micro USB Kabel (1m) - 4 x NiMH Akku AA 2100mAh - Polschutzeinlage - Mehrsprachige Bedienungsanleitung | Shipment: | <ul style="list-style-type: none"> - Charger - Micro USB Cable (1m) - 4 x NiMH batterie AA 2100mAh - pole protection insert - Multilingual operating instruction |
| Verpackung: | Farbige Faltschachtel | Package: | Coloured folding box |