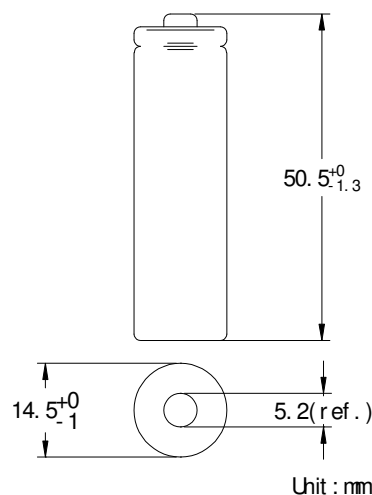
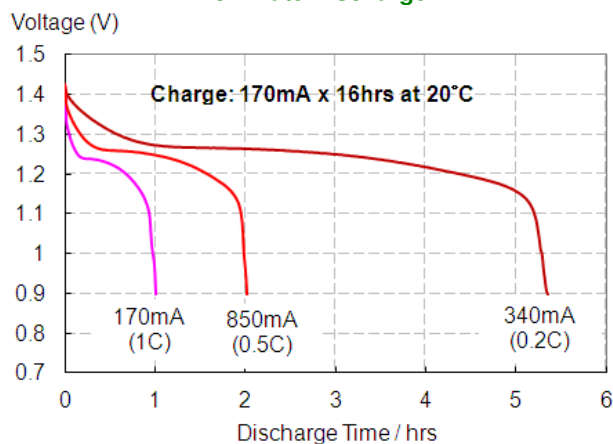


Type	: Rechargeable Nickel Metal Hydride Cylindrical Cell
Nominal Dimension (with Sleeve)	: $\Phi = 14.5\text{mm}$ H = 50.5mm
Applications	: Recommended discharge current 170 to 10000mA
Nominal Voltage	: 1.2V
Capacity	: Rated: 1700mAh Typical: 1750mAh When discharged at 340mA to 1.0V at 20°C
Charging Condition	: 170mA for 16 hrs at 20°C
Charging Retention	: 80% of nominal capacity after cell storage at 20°C for 12 months When discharged at 340mA to 1.0V at 20°C
Fast Charge	: 850mA to 10200mA (0.5 to 6C) charge termination control recommended control parameters: - ΔV : 0-5mV DT/dt : 0.8°C/min (0.5 to 0.9C) 0.8 - 1°C/min (1C) TCO : 45 - 55°C Timer : 105% nominal input (for ref. only)
Service Life	: >700 cycles (IEC standard) not less than 60% of nominal at 0.1C charged / 0.2C discharged
Continuous Overcharge	: 170mA maximum current for 1 year. No conspicuous deformation and/or leakage
Weight	: 26.2g
Internal Resistance	: Average 12m Ω upon fully charged (Max. 14m Ω) at 1000Hz
Max. Charging Voltage	: 1.5V at 170mA charging
Ambient Temperature Range	: Standard Charge : 0 to 45°C Fast Charging : 10 to 55°C Discharge : -20 to 50°C Storage : -20 to 35°C

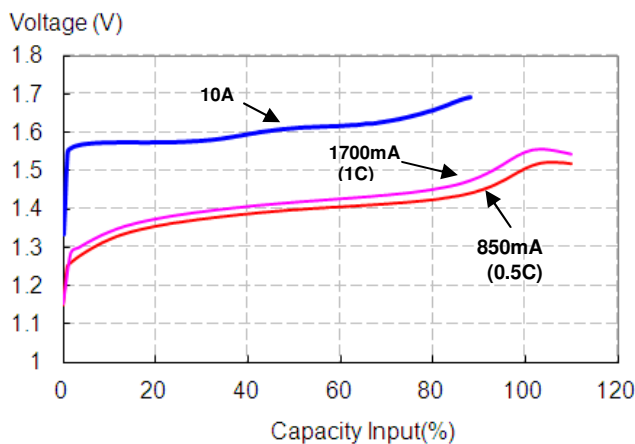
Model No.: GP170AAHCV



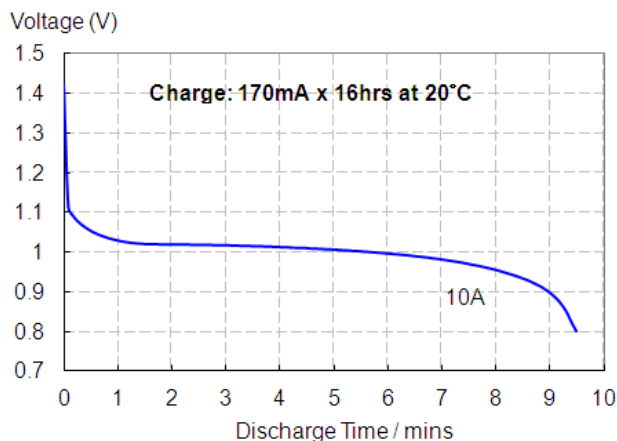
Low Rate Discharge



Fast Charge (Charge Control Required)



High Rate Discharge



The information (subject to change without prior notice) contained in this document is for reference only and should not be used as a basis for product guarantee or warranty. For applications other than those described here, please consult your nearest GP Sales and Marketing Office or Distributors.