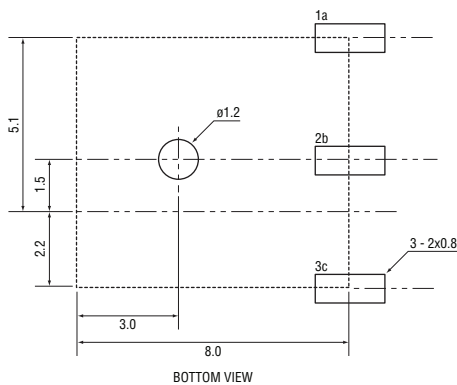
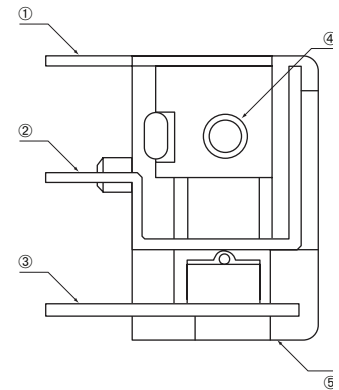
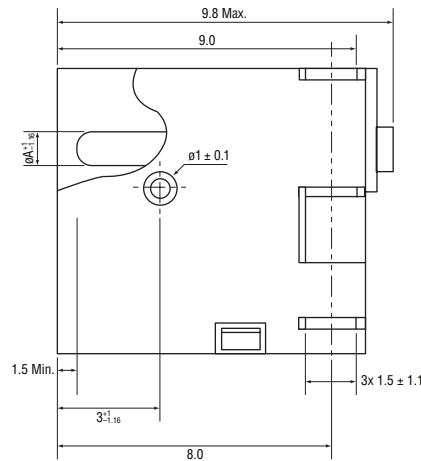
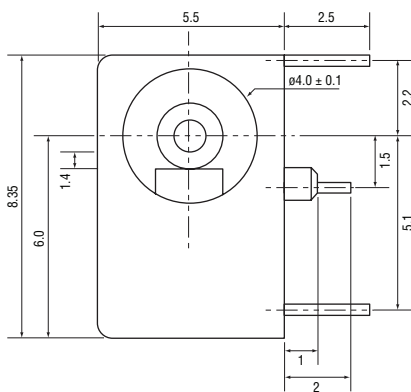
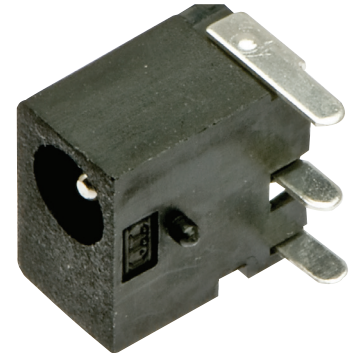


Specifications:

Number	Description	Quantity	Material	Plating
1	Pin terminal	1	C2680-H = 0.3	Silver plated
2	Break terminal	1	C2680-H = 0.3	Silver plated
3	Sleeve terminal	1	Ti-Cu t = 0.3	Silver plated
4	Pin	1	Soring Brass	Ni plated
5	Body	1	PBT	



Model No.	DJ-0709*010	DJ-0708*013	DJ-0708*020
Pin	1.0 dia.	1.3 dia.	2.0 dia.
Schematic			