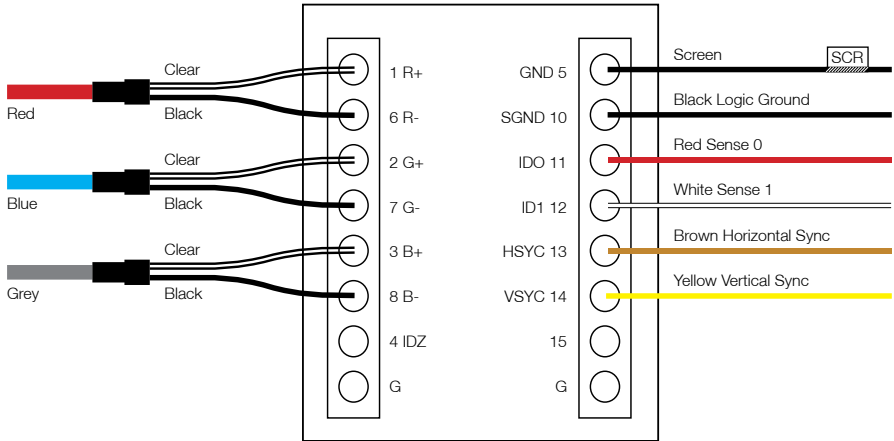


# VGA-FRL Wiring Diagram

For use with Clever Little Box Products



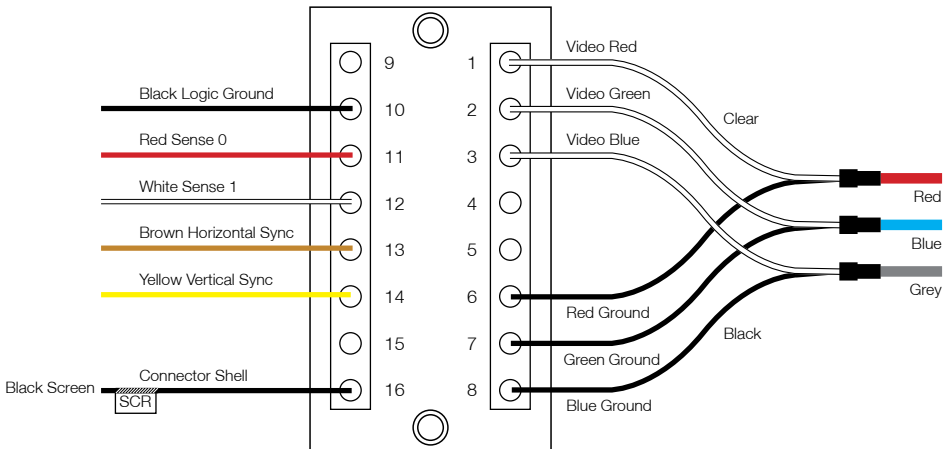
★ Wiring Instructions for use with the Clever Little Box  
VGA-FRL Series cable ONLY

**For Use On Parts:**

- CLB45-VGA-15
- CLB50-VGA-15
- CLB45-VGA-16
- CLB50-VGA-16

# VGA

**SVGA PCB TERMINAL**



★ Wiring Instructions for use with the Clever Little Box  
VGA-FRL Series cable ONLY

**For Use On Part:**

- CLB-VGAPCBUNIT