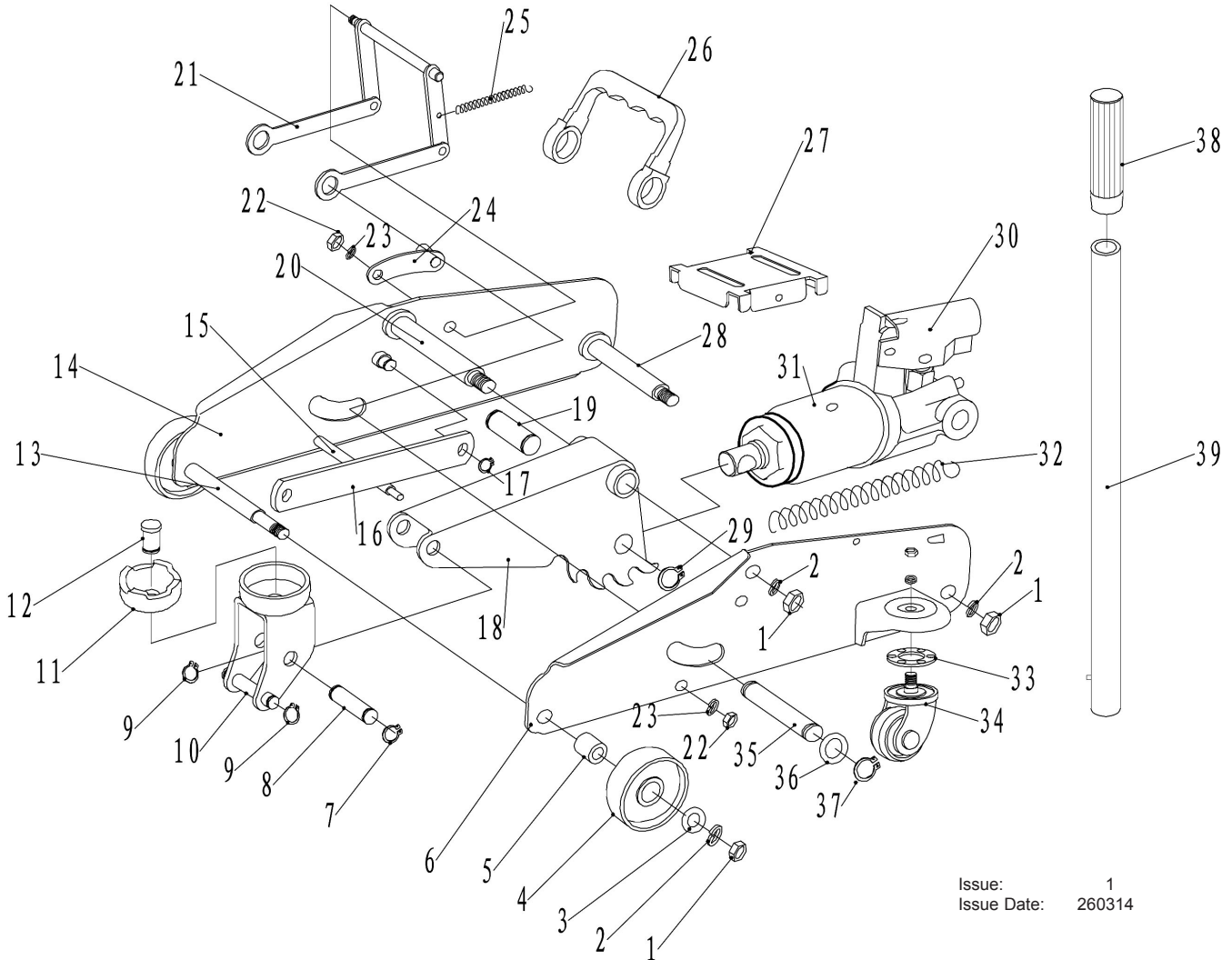




PARTS FOR:
2tonne TROLLEY JACK WITH SAFETY LOCK
MODEL: 2000LJ

1 OF 2



Issue: 1
 Issue Date: 260314

ITEM	MODEL	DESCRIPTION	ITEM	MODEL	DESCRIPTION	ITEM	MODEL	DESCRIPTION
1	2000LJ.01	NUT (M12)	15	2000LJ.15	MIDDLE SHAFT	29	2000LJ.29	RETAINING RING (19mm)
2	2000LJ.02	SPRING WASHER (12mm)	16	2000LJ.16	RADIUS LINK	30	2000LJ.30	HANDLE SOCKET
3	2000LJ.03	FLAT WASHER (12mm)	17	2000LJ.17	RETAINING RING (10mm)	31	2000LJ.31	HYDRAULIC PUMP
4	2000LJ.04	FRONT WHEEL	18	2000LJ.18	LIFT ARM	32	2000LJ.32	RETURN SPRING
5	2000LJ.05	FRONT WHEEL SPACER	19	2000LJ.19	LINK PIN	33	2000LJ.33	BEARING RACE
6	2000LJ.06	SIDE MEMBER (LEFT)	20	2000LJ.20	LIFT ARM SPINDLE	34	2000LJ.34	REAR CASTOR ASSY
7	2000LJ.07	RETAINING RING (12mm)	21	2000LJ.21	SECURING CONNECTION	35	2000LJ.35	SHAFT
8	2000LJ.08	SPINDLE	22	2000LJ.22	NUT (M8)	36	2000LJ.36	FLAT WASHER (17mm)
9	2000LJ.09	RETAINING RING (13mm)	23	2000LJ.23	SPRING WASHER (8mm)	37	2000LJ.37	RETAINING RING (17mm)
10	2000LJ.10	SADDLE AXIS	24	2000LJ.24	CONNECTION PLATE	38	2000LJ.38	HANDLE GRIP
11	2000LJ.11	SADDLE	25	2000LJ.25	TENSION SPRING	39	2000LJ.39	HANDLE
12	2000LJ.12	SADDLE PIN	26	2000LJ.26	CARRYING HANDLE	40	2000LJ.40	STEEL LOCK BUTTON
13	2000LJ.13	FRONT WHEEL SHAFT	27	2000LJ.27	COVER PLATE			
14	2000LJ.14	SIDE MEMBER (RIGHT)	28	2000LJ.28	SPINDLE			

NOTE: It is our policy to continually improve products and as such we reserve the right to alter data, specifications and component parts without prior notice.

IMPORTANT: No liability is accepted for incorrect use of product.

WARRANTY: Guarantee is 12 months from purchase date, proof of which will be required for any claim.

INFORMATION: For a copy of our latest catalogue and promotions call us on 01284 757525 and leave your full name and address, including postcode.



Sole UK Distributor,
 Sealey Group, Kempson Way,
 Suffolk Business Park,
 Bury St Edmunds, Suffolk, IP32 7AR



01284 757500



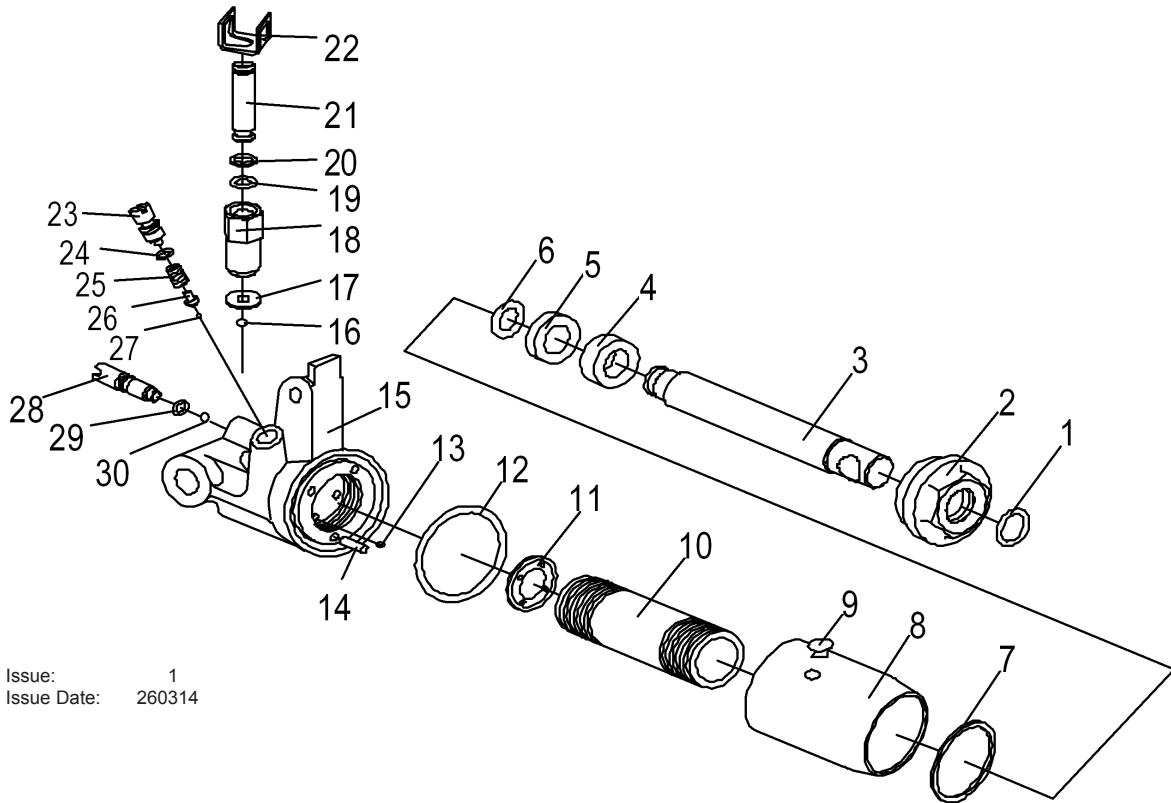
01284 703534



www.sealey.co.uk



sales@sealey.co.uk



Issue: 1
 Issue Date: 260314

ITEM	MODEL	DESCRIPTION	ITEM	MODEL	DESCRIPTION
1	2000LJ.P01	TOP CAP RING	16	2000LJ.P16	STEEL BALL (6mm)
2	2000LJ.P02	TOP CAP	17	2000LJ.P17	PUMP PACKING
3	2000LJ.P03	PISTON ROD	18	2000LJ.P18	PUMP INNER
4	2000LJ.P04	RETAINING SPACER	19	2000LJ.P19	O-RING
5	2000LJ.P05	WASHER	20	2000LJ.P20	SPLIT RING
6	2000LJ.P06	Y-RING	21	2000LJ.P21	PUMP CORE
7	2000LJ.P07	UPPER, SEAL RING	22	2000LJ.P22	LINK PISTON
8	2000LJ.P08	RESERVOIR	23	2000LJ.P23	PRESSURE REGULATING, VALVE SCREW
9	2000LJ.P09	OIL FILLER PLUG	24	2000LJ.P24	O-RING
10	2000LJ.P10	OIL CYLINDER	25	2000LJ.P25	PRESSURE SPRING
11	2000LJ.P11	NYLON CAP	26	2000LJ.P26	BALL VALVE SEAT
12	2000LJ.P12	LOWER, SEAL RING	27	2000LJ.P27	STEEL BALL (3mm)
13	2000LJ.P13	STEEL BALL (5mm)	28	2000LJ.P28	RELEASE VALVE
14	2000LJ.P14	OIL STRAINER	29	2000LJ.P29	O-RING
15	2000LJ.P15	VALVE BODY	30	2000LJ.P30	STEEL BALL (6mm)

NOTE: It is our policy to continually improve products and as such we reserve the right to alter data, specifications and component parts without prior notice.

IMPORTANT: No liability is accepted for incorrect use of product.

WARRANTY: Guarantee is 12 months from purchase date, proof of which will be required for any claim.

INFORMATION: For a copy of our latest catalogue and promotions call us on 01284 757525 and leave your full name and address, including postcode.