

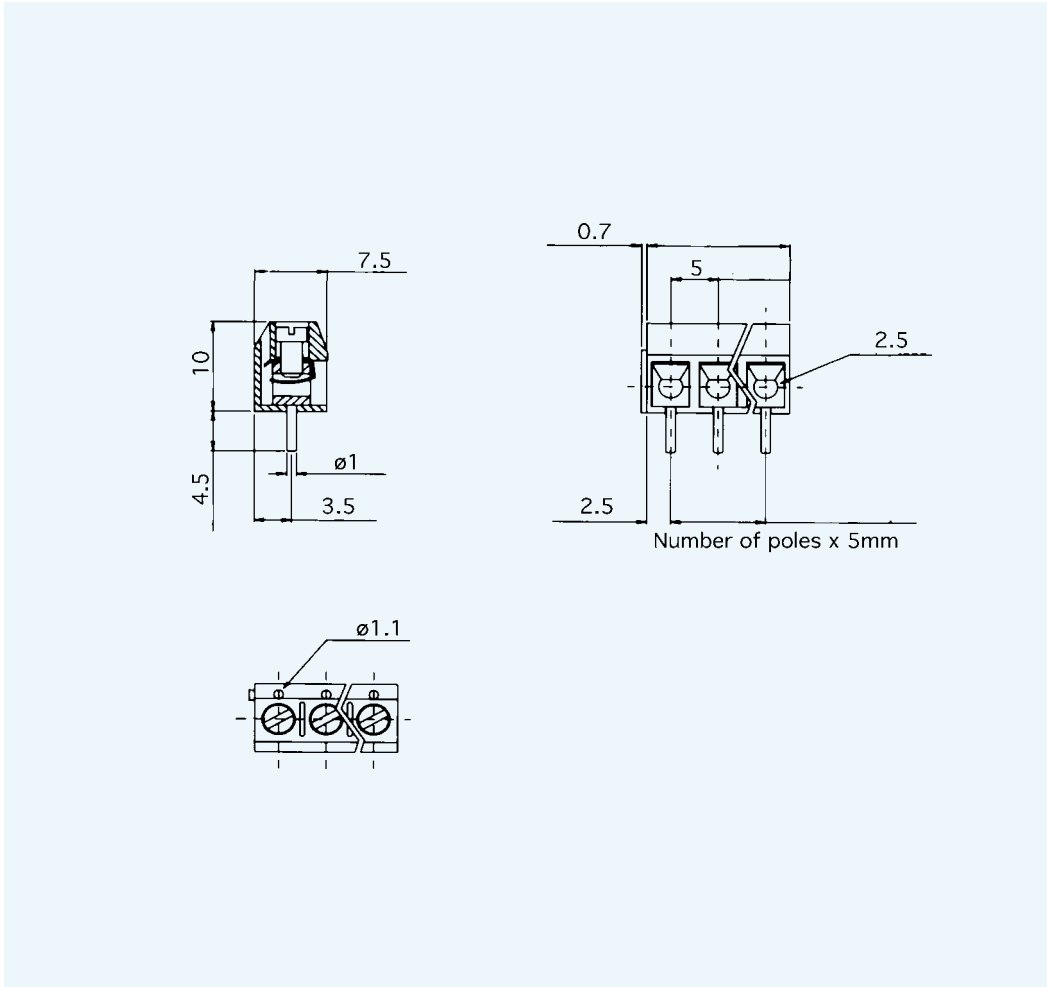
5mm PCB

Order code	Manufacturer code	Description
21-0112	650TDS02	2 WAY 16A PCB TERMINAL BLOCK (RC)

5mm PCB	Page 1 of 2
The enclosed information is believed to be correct, Information may change without notice due to product improvement. Users should ensure that the product is suitable for their use. E. & O. E.	Revision A 20/02/2007

SECTION 2A

STANDARD SCREW
TYPE PRINTED CIRCUIT
CONNECTORS



TECHNICAL DATA

Mouldings:	PBT, grey, UL94 V0
Inserts & solder pins:	Brass, tinned to ISO 2093
Screws:	M2.5, steel, zinc plated and passivated
Wire protectors:	Bronze, nickel plated
Current rating:	16 amp
Conductor size:	Without wire protector 2.5 mm ²
	With wire protector 1.5 mm ²
Maximum working temp:	120°C

FEATURES

Series 650T are 5mm pitch, low profile, side entry connectors and are available in 2, 3 and 8 pole (type 08M). All versions have interlocking dovetails to enable longer lengths to be assembled and are available with or without wire protectors. Supplied as 2, 3 and 8 pole modules, or to pre-assembled required lengths.

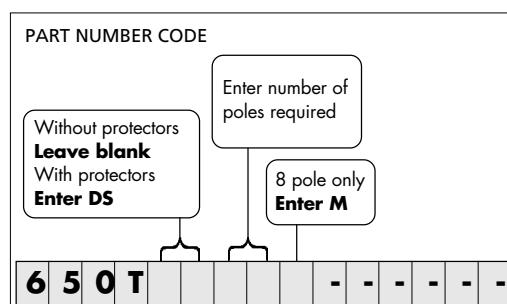
OPTIONS

Marking: special printing available. Please provide sketch.

Pin spacing: available in 10mm pitch type **652T** (see page 33).

Colour: also available in colours black and blue.

APPROVALS



01273 431600



01273 439288



sales@metway.co.uk