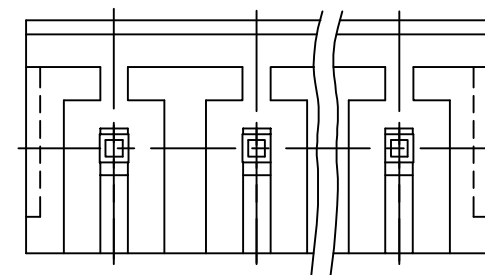
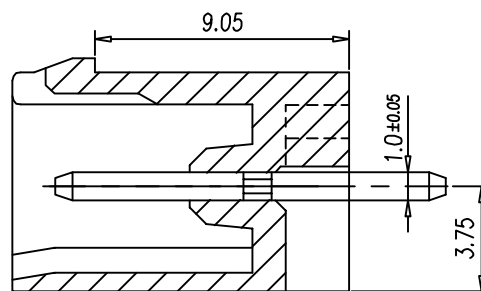
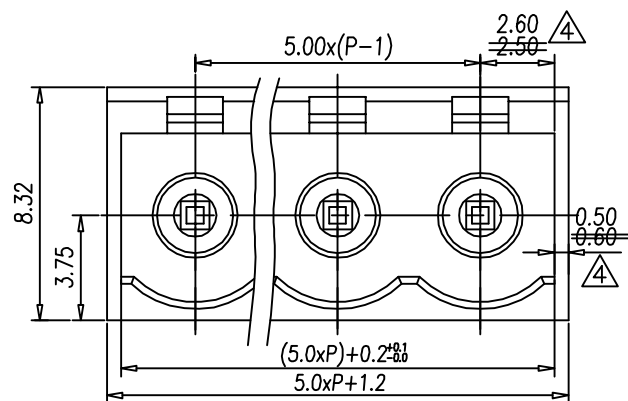


P.C.B. LAYOUT(REF)



NOTES:

1. Rating: 300V 15A(IEC 250V 12A)
PITCH: 5.00mm
2. Insulation Withstands Voltage:
AC 1500V/MIN
3. Insulation Resistance:
500MΩ or more at DC500V
4. Using Temperature Range:
-40°C~+105°C
5. Undimensioned Tolerances:

—	∩	∇	0.05/10
⊥	//	≡	0.2/10
PITCH ERROR			0.05/10
UNDIMENSIONS TOLERANCES			±0.3

△4	產品更新	楊鳳華	02.6.10
△3	修改 NOTES	梁紅英	99.11.17
REV.	CONTENT	CHK.	DATE

2	SOLDER PIN	0020B00500	P	COPPER	Tin Plated
1	HOUSING	0120P00000	1	PA66(V0)	GREEN
ITEM	NAME OF PART	NO. OF PART	Q ^{TY}	MATERIAL	NOTES
DWG.	梁瓏耀	DATE 99,01,22	UNITS	MM	SHEET/OF 1/1
CHK.		DATE	SCALE	5:1 (:)	
APP.		DATE			
				NAME	20.95MV
				DWG NO.	SP-02

