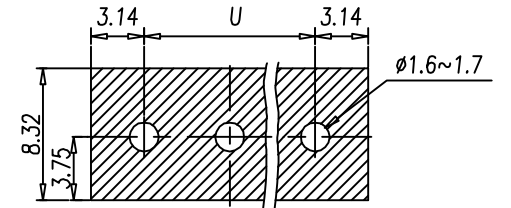


NOTES:

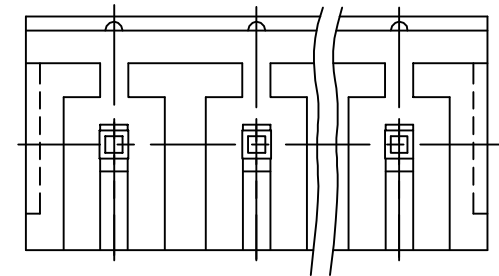
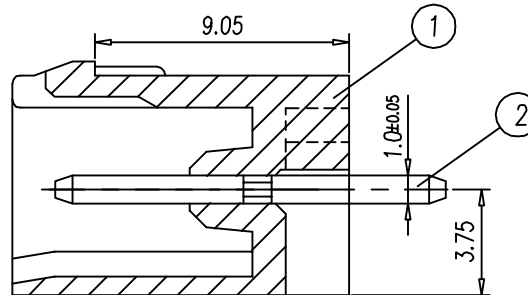
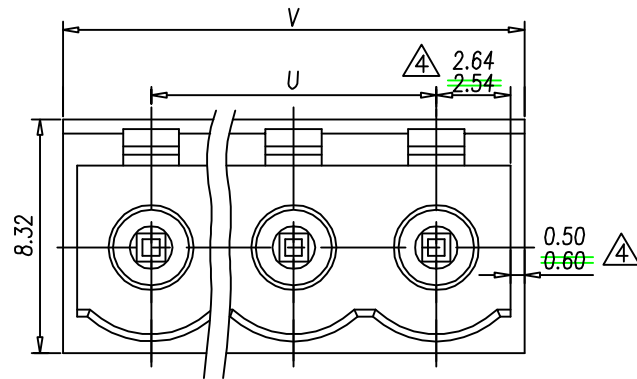
1. Rating: 300V 15A(IEC 250V 12A)  
PITCH: 5.08mm
2. Insulation Withstands Voltage:  
AC 1500 V/MIN
3. Insulation Resistance:  
500MΩ or more at DC500V
4. Using Temperature Range:  
-40°C~+105°C
5. Undimensioned Tolerances:

|                         |    |   |         |
|-------------------------|----|---|---------|
| —                       | ∩  | ∇ | 0.05/10 |
| ⊥                       | // | ≡ | 0.2/10  |
| PITCH ERROR             |    |   | 0.05/10 |
| UNDIMENSIONS TOLERANCES |    |   | ±0.3    |

6. 表面處理為加噴沙



P.C.B. LAYOUT(REF)



|   |       |       |       |       |       |       |       |        |        |        |        |        |
|---|-------|-------|-------|-------|-------|-------|-------|--------|--------|--------|--------|--------|
| P | 2     | 3     | 4     | 5     | 6     | 7     | 8     | 9      | 10     | 11     | 12     | 13     |
| U | 5.08  | 10.16 | 15.24 | 20.32 | 25.40 | 30.48 | 35.56 | 40.64  | 45.72  | 50.80  | 55.88  | 60.96  |
| V | 11.36 | 16.44 | 21.52 | 26.6  | 31.68 | 36.76 | 41.84 | 46.92  | 52.0   | 57.08  | 62.16  | 67.24  |
| P | 14    | 15    | 16    | 17    | 18    | 19    | 20    | 21     | 22     | 23     | 24     | 25     |
| U | 66.04 | 71.12 | 76.20 | 81.28 | 86.36 | 91.44 | 96.52 | 101.6  | 106.68 | 111.76 | 116.84 | 121.92 |
| V | 72.32 | 77.4  | 82.48 | 87.56 | 92.64 | 97.72 | 102.8 | 107.88 | 112.96 | 118.04 | 123.12 | 128.2  |

Tolerances for PITCH ERROR

③

|      |         |      |      |
|------|---------|------|------|
| ④    |         |      |      |
| ③    |         |      |      |
| ②    |         |      |      |
| REV. | CONTENT | CHK. | DATE |

|      |              |             |         |            |              |
|------|--------------|-------------|---------|------------|--------------|
| 2    | SOLDER PIN   | 0020B00500  | P       | COPPER     | Tin Plated   |
| 1    | HOUSING      | 0121P00000  | 1       | PA66(V0)   | GREEN        |
| ITEM | NAME OF PART | NO. OF PART | Q'TY    | MATERIAL   | NOTES        |
| DWG. |              | DATE        | UNITS   | MM         | SHEET/OF 1/1 |
| CHK. |              | DATE        | SCALE   | 5:1 ( : )  | ⊕            |
| APP. |              | DATE        | NAME    | 21.95MV/XX |              |
|      |              |             | DWG NO. |            |              |

