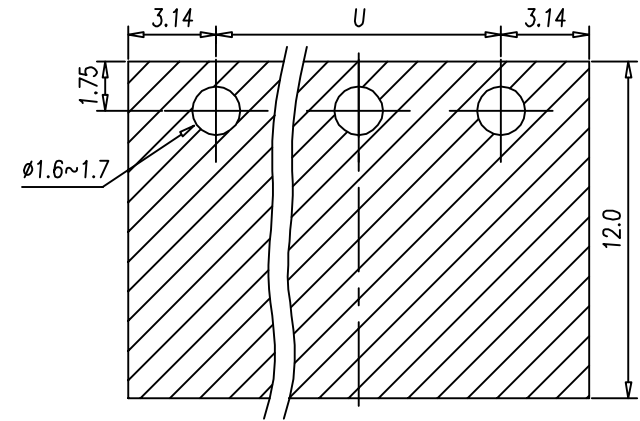


NOTES:

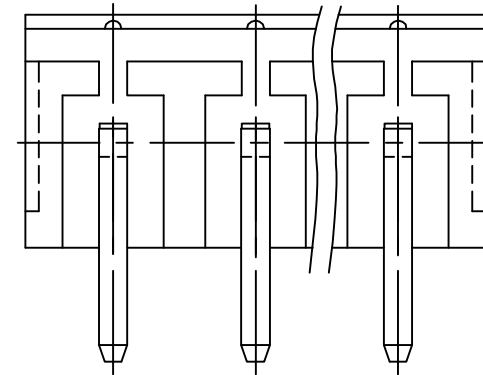
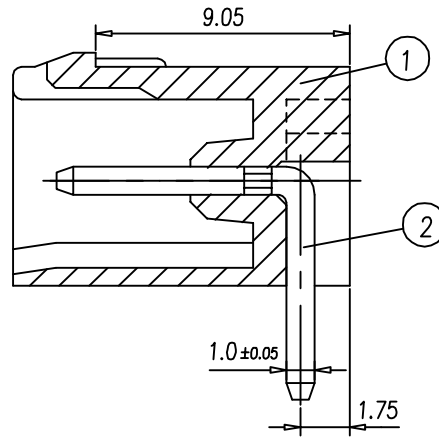
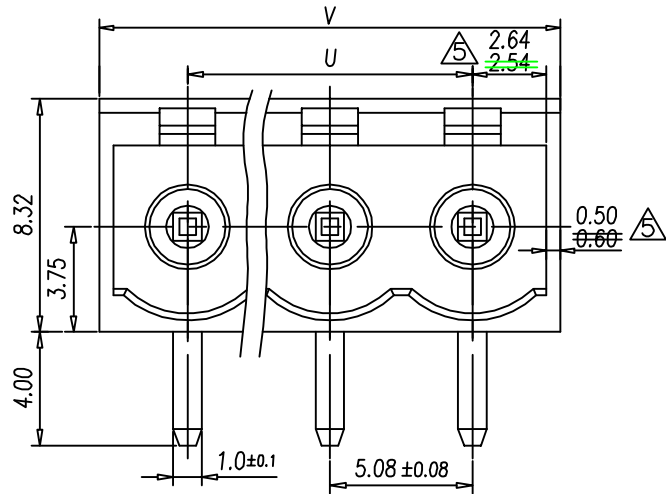
- Rating: 300V 15A(IEC 250V 12A)
PITCH: 5.08mm
- Insulation Withstands Voltage:
AC 1500 V/MIN
- Insulation Resistance:
500M Ω or more at DC500V
- Using Temperature Range:
-40°C~+105°C
- Undimensioned Tolerances:

—	∩	∇	0.05/10
⊥	//	≡	0.2/10
PITCH ERROR			0.05/10
UNDIMENSIONED TOLERANCES			±0.3

6. 表面處理為加噴沙



P.C.B. LAYOUT(REF)



P	2	3	4	5	6	7	8	9	10	11	12	13
U	5.08	10.16	15.24	20.32	25.40	30.48	35.56	40.64	45.72	50.80	55.88	60.96
V	11.36	16.44	21.52	26.6	31.68	36.76	41.84	46.92	52.0	57.08	62.16	67.24
P	14	15	16	17	18	19	20	21	22	23	24	25
U	66.04	71.12	76.20	81.28	86.36	91.44	96.52	101.6	106.68	111.76	116.84	121.92
V	72.32	77.4	82.48	87.56	92.64	97.72	102.8	107.88	112.96	118.04	123.12	128.2

Tolerances for PITCH ERROR

④

⑤			
④			
③			
REV.	CONTENT	CHK.	DATE

2	SOLDER PIN	0020B00600	P	COPPER	Tin Plated
1	HOUSING	0121P00000	1	PA66(V0)	GREEN
ITEM	NAME OF PART	NO. OF PART	Q'TY	MATERIAL	NOTES
DWG.		DATE	UNITS	MM	SHEET/OF 1/1
CHK.		DATE	SCALE	5:1 (:)	⊕
APP.		DATE	NAME 21.95MH/XX		
				DWG NO.	