

**承認書**  
**APPROVED DATA**

客 戶  
CUSTOMERS

**RAPID ELECTRONICS LTD**

品 名

**DESCRIPTION: AC SOCKET**

力 瑋 料 號

**INALWAYS P/N: 0717-CL (of 0717 Series)**

客 戶 料 號

**CUSTOMER P/N: 23-0360**

日 期

**DATE 2013 年 6 月 7 日**

承 認 印 APPROVED BY



**TITLE : AC INLET 3P WITH FUSEHOLDER**

**Part No. : 0717 Series**

## TABLE OF CONTENTS

1. Scope 應用範圍
2. Electrical Rating 額定電流/電壓
3. Materials and Construction 材質與結構
  - 3.1 Materials 材質
  - 3.2 Construction 結構
  - 3.3 Operating Temperature 工作溫度
  - 3.4 Performance and Procedures 性能及程序
4. Test Requirement and Procedures 測試條件及程序
5. Test Sequences 測試順序
6. Certified Safety 認證安規



DOCUMENT NO.	REV	DESCRIPCION	APPROVED BY	CHECKED BY	WRITTEN BY	DATE (yyyy/mm/dd)	SHT NO.
E717-1001	B	Change Certified safety				2012/03/30	1 OF 6



**1. Scope 應用範圍**

This specification applies to AC Inlet 3P with Fuseholder for case mount of the following rated for Cold condition, for class I equipment only, in accordance of IEC 60320-1, EN 60320-1, IEC 60127-6, EN 60127-6, UL 498 and CSA C22.2. The pins temperature should not exceed to 70 °C.

本規範適用於冷狀態一級設備之3P插座，依照 IEC 60320-1、EN 60320-1、IEC 60127-6、EN 60127-6、UL 498 及 CSA C22.2等規範，插座內插梢之溫度不可超過 70 °C。

**2. Electrical Rating 額定電流/電壓**

North America 北美： 10 A 250 V ~

Europe 歐洲： 10 A 250 V ~

**3. Materials and Construction 材質與結構**

**3.1 Materials 材質**

Frame： Thermoplastic, Nylon 66, 94V-0 架構：熱塑性塑膠、尼龍 66

Pin & Terminals： Copper alloy, Tin plated 插梢 & 端子：黃銅，鍍錫

**3.2 Construction 結構**

See the figure. 見附圖

**3.3 Operating Temperature 工作溫度**

-25 °C to +70 °C

**3.4 Performance and Procedures 性能及程序**

Socket shall be designed to meet the electrical, mechanical and environmental performance requirements specified in 4.

插座設計應滿足電氣、機械及環境測試性能需求，詳細規格說明於 4. 節。

TITLE		AC INLET 3P WITH FUSEHOLDER		
DOCUMENT NO.	REV	DESCRIPTION	DATE (yyyy/mm/dd)	SHEET NO.
E717-1001	B	SEE SHEET 1	2012/03/30	2 OF 6



## 4. Test Requirement and Procedures 測試條件及程序

Electrical Requirements 電氣特性要求		
Item	Requirement	Test Methods
Insulation Resistance 絕緣阻抗	100 MΩ min. 100 MΩ 以上。	500 VDC applied for one minute between adjacent terminals and between adjacent terminals and housing. 測試電壓500 VDC、測試時間1分鐘，在端子與端子間及端子與本體間。 IEC 60320-1, Section 15 IEC 60127-6, Section 11
Electric Strength 耐電壓強度	No Breakdown. 無任何損壞。	A) 2,000 VAC being applied between all terminals for one minute. 在所有端子與端子之間施加 2,000 VAC 測試 1分鐘。 B) 4,000 VAC being applied between all terminals and frame for one minute. 在端子與塑膠本體之間施加 4,000 VAC 測試 1分鐘。 IEC 60320-1, Section 15
Contact Resistance 接觸阻抗	(A) <u>For Socket only</u> 30 mΩ max. 30 mΩ 以內。 (B) <u>For Fuseholder only</u> 10 mΩ max. 10 mΩ 以內。	Mate connectors, apply maximum voltage of 5 V and a current of 100 mA. 將連接器匹配後，以測試電壓最大5 V，電流最大100 mA。 IEC 60127-6
Temperature Rise 溫昇測試	85°C max. 溫度85°C 以下。	A sustained dissipation 1.6 W /10A is passed through the specimen, measure 3 successive readings, at least 10 min apart, unit temperature stability. 樣品持續施加1.6W/10A電流，在溫度穩定後量測3次數值，中間最少間隔10分鐘。 IEC 60127-6, SECTION 13

TITLE	AC INLET 3P WITH FUSEHOLDER			
DOCUMENT NO.	REV	DESCRIPTION	DATE (yyyy/mm/dd)	SHEET NO.
E717-1001	B	SEE SHEET 1	2012/03/30	3 OF 6



**4. Test Requirement and Procedures 測試條件及程序**

Mechanical Requirements 機械特性要求		
Item	Requirement	Test Methods
Pull Force of Terminal 端子推出力	No movement exceeding 2.5 mm. 移動 2.5 mm 以下。	The specimen shall be heated to temperature of 70 °C for 1 hour. Then a static load of 60 N is applied to the pins for one minute. 加熱樣品至 70 °C 維持 1 小時，然後施加 60 牛頓於插梢持續 1 分鐘。 IEC 60320-1, Section 13
Ball-Pressure Test 球壓測試	Measure the diameter of the impression shall not exceed 2 mm. 壓痕直徑最大 2 mm。	The specimen shall be stored at a temperature of 125 ± 2 °C, a steel ball of 5 mm diameter is pressed against the surface of the specimen with a force of 20 N for 1 hour. 產品放在 125 ± 2 °C 的加熱室內，用一直徑 5 mm 的鐵球、作用力 20 N，對產品表面施壓 1 小時。 IEC 60320-1, Section 24
Push-out test 面板推出測試  (For Panel Only)	Specimen cannot be push out from the panel. 樣品不會被推出面板。	The specimen shall be mounted on a panel, then apply a static load of 90N from the back of the specimen for one minute. 樣品固定在面板上，然後施加 90N 於樣品背部持續 1 分鐘。

TITLE	<b>AC INLET 3P WITH FUSEHOLDER</b>			
DOCUMENT NO.	REV	DESCRIPTION	DATE (yyyy/mm/dd)	SHEET NO.
<b>E717-1001</b>	B	SEE SHEET 1	2012/03/30	4 OF 6



**4. Test Requirement and Procedures 測試條件及程序**

Environment Requirements 環境要求		
Item	Requirement	Test Methods
Moisture Resistance 防潮	No damage. 無任何損傷。	<b>For socket only.</b> Expose the specimens to 40±2 °C, 91 ~ 95 % R.H. for 168 hours. 樣品放在溫度40±2 °C、相對溼度91~95%之測試槽內168小時。 IEC 60320-1, Section 14
		<b>For Fuseholder only.</b> Expose the specimens to 40±2 °C, 91 ~ 95 % R.H. for 48 hours. 樣品放在溫度40±2 °C、相對溼度91~95%之測試槽內48小時。 IEC 60127-6, Section 11
Resistance to Heat 耐熱性	No damage. 無任何損傷。	The specimen shall be stored at a temperature of 100 ± 2 °C for 1 hour. 樣品放在100 ± 2 °C的測試槽內1小時。 IEC 60320-1, Section 24
Solderability 焊錫性	Solder coverage more than 90 %. 端子需披覆錫 90 % 以上。	<b>Manual Soldering 烙鐵焊接</b> Soldering temperature 380 ± 5 °C, duration 2~3 sec. 烙鐵溫度 380 ± 5 °C，焊接 2~3秒。 IEC 60068-2
Resistance to Solder Heat 抗焊錫熱	No damage(exemption of fixing pillar). 無任何損傷(固定腳柱除外)。	<b>Manual Soldering 烙鐵焊接</b> Soldering temperature 400 ± 5 °C, duration 5 ± 1 sec. 烙鐵溫度 400 ± 5 °C，焊接 5 ± 1 秒。 IEC 60068-2

TITLE	<b>AC INLET 3P WITH FUSEHOLDER</b>			
DOCUMENT NO.	REV	DESCRIPTION	DATE (yyyy/mm/dd)	SHEET NO.
<b>E717-1001</b>	B	SEE SHEET 1	2012/03/30	5 OF 6



## 5. Test Sequences 測試順序

The test sequences are defined as following. 測試順序如下：

Test Description	Test Group					
	Socket				Fuseholder	
	1	2	3	Supplemental Test	1	2
Insulation Resistance 絕緣阻抗		2			2	
Electric Strength 耐電壓強度		3			3	
Contact Resistance 接觸阻抗		4				1
Temperature Rise 溫昇測試						2
Pull Force of Terminal 端子推出力	1					
Ball-Pressure Test 球壓測試			2			
Push-Out test 面板推出測試	2					
Moisture Resistance 防潮		1			1	
Resistance to Heat 耐熱性			1			
Solderability 焊錫性				1		
Resistance to Solder Heat 抗焊錫熱	3					
<b>Sample Size for Each Group</b>	<b>3</b>	<b>3</b>	<b>3</b>	<b>3</b>	<b>3</b>	<b>3</b>

## 6. Certified safety 認證安規

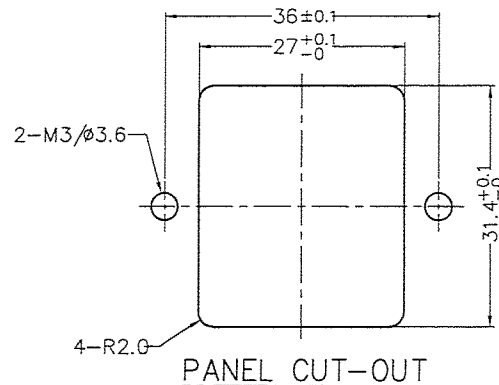
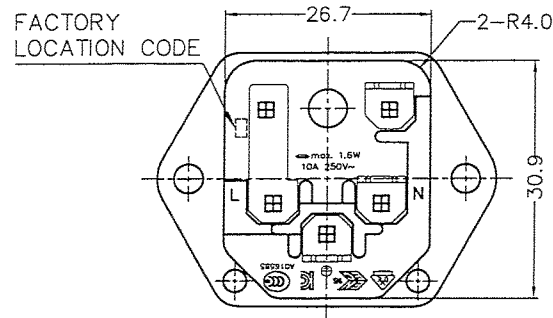
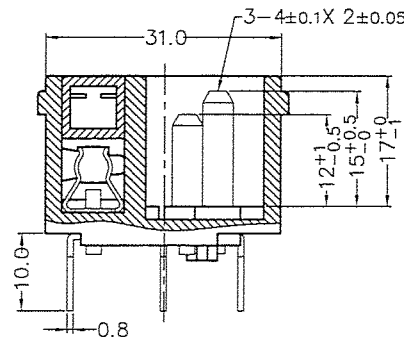
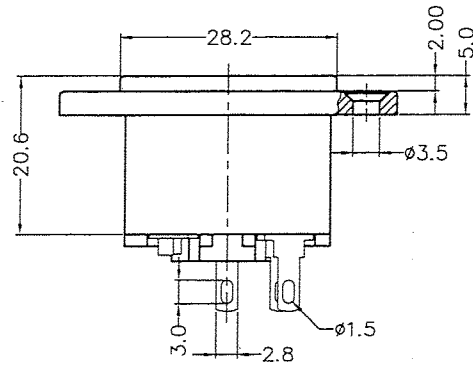
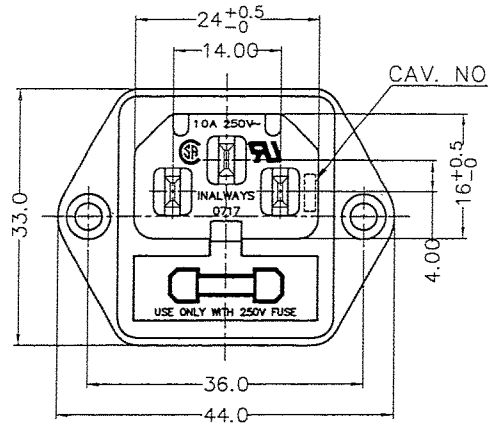
UL / CSA / VDE / ENEC / KC / CCC

TITLE	<b>AC INLET 3P WITH FUSEHOLDER</b>			
DOCUMENT NO.	REV	DESCRIPTION	DATE (yyyy/mm/dd)	SHEET NO.
<b>E717-1001</b>	<b>B</b>	<b>SEE SHEET 1</b>	<b>2012/03/30</b>	<b>6 OF 6</b>

客戶用圖

**SPECIFICATION**

- A: MATERIAL:
1. HOUSING: NYLON 66 FLAMMABILITY, UL 94V-0
  2. TERMINAL: COPPER ALLOY, TIN PLATED
- B: CHARACTERISTICS:
1. RATING: 10A 250V~ NORTH AMERICA & EUROPE
  2. INSULATION RESISTANCE: 100 MΩ MIN, AT 500 VDC
  3. ELECTRIC STRENGTH: AC 2,000 V FOR 1 MINUTE
- C: APPROVALS:
- UL, CSA, VDE, ENEC KC & CCC



圖面管制中心

嚴禁	2013.6.07	複印
力瑋出圖章		
發圖者: 李孟琦		

		PART NO.: 0717-CL	NAME: AC INLET 3P+FUSE HOLDER (SCREW-ON)			
		MATERIAL: SEE ABOVE	SPEC.: IEC 60320-1, C14 IEC 60127-6			
TOLERANCE UNLESS OTHERWISE MARKED DIMENSION: .000: ±0.1 .00: ±0.2 .0: ±0.3 ANGULAR: ±3°		APPROVED	CHECKED	DESIGNER	NOTE:	
2012.11.27 DGR12027 CHANGE SAFETY MARK 2006.04.18 DGR06036 NEW REVISION						
REV	DATE	DOCUMENT	DESCRIPTION	UNIT	SCALE	SHEET
4				mm	1:1	1 of 1

E			
D			
C			
B	2012.11.27	DGR12027	CHANGE SAFETY MARK
A	2006.04.18	DGR06036	NEW REVISION

2012-11-27 2012-11-27  
 世成 星鋒  
 5717-0030





## AYVZZ.E122965 Attachment Plugs with Overload Protection - Component

[Page Bottom](#)

---

### Attachment Plugs with Overload Protection - Component

[See General Information for Attachment Plugs with Overload Protection - Component](#)

**INALWAYS CORP**

E122965

7TH FL 105 WUGUNG RD  
WUGU INDUSTRIAL DISTRICT  
WUGU SHIANG  
TAIPEI HSIEN, 24890 TAIWAN

**Power inlets**, Cat. Nos. 0713, 0717, 0717-1.

Cat Nos. 0725, 0725-1, 0726, 0726-1.

**Appliance inlets**, Cat. No. 0717-2 followed by P, C or F, followed by S, LS, Q or W, followed by two digits.

0717-1 Series: Models 0717-1-PS, 0717-1-PLS, 0717-1-PQ, 0717-1-PW may be followed by three alphanumeric digits; 0717-1S Series: Models 0717-1S-PS, 0717-1S-PLS, 0717-1S-PQ, 0717-1S-PW may be followed by three alphanumeric digits.

**Appliance inlets with overcurrent protector**, 0717-2S Series: Model 0717-2S followed by C or P, followed by Q or S.

Marking: Company name and catalog or model designation on device or carton.

[Last Updated](#) on 2008-06-18

---

[Questions?](#)

[Print this page](#)

[Notice of Disclaimer](#)

[Page Top](#)

[Copyright](#) ♦ [2011 Underwriters Laboratories Inc.®](#)

The appearance of a company's name or product in this database does not in itself assure that products so identified have been manufactured under UL's Follow-Up Service. Only those products bearing the UL Mark should be considered to be Listed and covered under UL's Follow-Up Service. Always look for the Mark on the product.

UL permits the reproduction of the material contained in the Online Certification Directory subject to the following conditions: 1. The Guide Information, Designs and/or Listings (files) must be presented in their entirety and in a non-misleading manner, without any manipulation of the data (or drawings). 2. The statement "Reprinted from the Online Certifications Directory with permission from Underwriters Laboratories Inc." must appear adjacent to the extracted material. In addition, the reprinted material must include a copyright notice in the following format: "Copyright © 2011 Underwriters Laboratories Inc.®"

An independent organization working for a safer world with integrity, precision and knowledge.





CSA INTERNATIONAL

# Certificate of Compliance

Certificate: LR 63196-13

Contract No: 159542 (LR 63196)

Project: 1063125

Date Issued: April 4, 2000

Issued to: Inalways Corporation  
No. 58, Wu-Kung 5th Rd.,  
Wu-Ku Industrial District,  
Taipei Hsien, Taiwan

*The products listed below are eligible to bear the CSA Mark shown*



Issued by: Sebastian George, P. Eng.  
FOR Vancouver, BC Canada

Signature: 

## PRODUCTS

CLASS 6233 01 - RECEPTACLES - Attachment Plug Type and Plugs

Special-use fused power inlets, 10A 250V ac, male/female receptacle Cat No 0713 and male Cat No 0717.

Note: Sold only to manufacturers as components for the assembly of Certified electrical equipment.

## APPLICABLE REQUIREMENTS

- |                               |   |   |
|-------------------------------|---|---|
| CAN/CSA-C22.2 No. 0-M91       | - | General Requirements - Canadian Electrical Code, Part II  |
| CSA Std C22.2 No. 182.3-M1987 | - | Special Use Attachment Plugs, Receptacles, and Connectors |

## ZEICHENGENEHMIGUNG MARKS APPROVAL

Inalways Corporation  
PO Box 17-196  
24899 Sinhuang, TAIPEI  
TAIWAN

ist berechtigt, für ihr Produkt /  
*is authorized to use for their product*

**Gerätestecker mit integriertem Gerätesicherungshalter**  
*Appliance inlet with integrated fuse-holder*

die hier abgebildeten markenrechtlich geschützten Zeichen  
für die ab Blatt 2 aufgeführten Typen zu benutzen /  
*the legally protected Marks as shown below for the types referred to on page 2 ff.*



Geprüft und zertifiziert nach /  
*Tested and certified according to*

DIN EN 60127-1 (VDE 0820-1):2007-02; EN 60127-1:2006  
DIN EN 60320-1 (VDE 0625-1):2008-05; EN 60320-1:2001 + A1:2007  
DIN EN 60127-6 (VDE 0820 Teil 6):2003-10; EN 60127-6:1994+ A1:1996+ A2:2003

VDE Prüf- und Zertifizierungsinstitut GmbH  
*Testing and Certification Institute*  
Zertifizierungsstelle / *Certification*

VDE Zertifikate sind nur gültig bei Veröffentlichung unter  
*VDE certificates are valid only when published on*

Aktenzeichen: 1391600-1550-0018 / 103213

*File ref.:*

Ausweis-Nr. 40022412

Blatt 1

*Certificate No.*

*Page*

Weitere Bedingungen siehe Rückseite und Folgeblätter /  
*further conditions see overleaf and following pages*

Offenbach, 2007-10-18

(letzte Änderung/updated 2009-02-26 )

<http://www.vde.com/zertifikat>

<http://www.vde.com/certificate>

Name und Sitz des Genehmigungs-Inhabers / *Name and registered seat of the Certificate holder*  
Inalways Corporation, PO Box 17-196, 24899 Sinjhuang, TAIPEI, TAIWAN

Aktenzeichen / *File ref.*

1391600-1550-0018 / 103213 / FG31 / E

letzte Änderung / *updated* Datum / *Date*  
2009-02-26 2007-10-18

Dieses Blatt gilt nur in Verbindung mit Blatt 1 des Zeichengenehmigungsausweises Nr. 40022412.  
*This supplement is only valid in conjunction with page 1 of the Certificate No. 40022412.*

**Gerätestecker mit integriertem Gerätesicherungshalter**  
***Appliance inlet with integrated fuse-holder***

Typ(en) / *Type(s)*:

- 1 0717
- 2 0717-1
- 3 0717-1S

Bemessungsspannung AC 250 V  
*Rated voltage*

Bemessungsstrom 10 A  
*Rated current*

Bemessungswert der zul. Verlustleistung 1,6 W / 10 A  
*Rated power acceptance*

Polzahl 2-polig mit Schutzkontakt  
*Number of poles 2-pole with earthing contact*

Bauart Normblatt C14  
*Kind of construction standard sheet C14*

Ausführung(en) mit Montagerahmen für Geräteschalter entsprechend EN 61058-1  
*Construction(s) with mounting frame for switches for appliances according to EN 61058*  
Für / *for* 3

Kategorie PC 2  
*Category*

Stifttemperatur max. 70°C  
*Temperature of the pins*

Fortsetzung siehe Blatt 3 /  
*continued on page 3*

# CERTIFICATE ENEC 2011059

Our ref. 264861-1

**Product** Appliance inlet

**Rating and principal characteristics** 10 A, 250 V~, IP20

**Trade mark (if any)** INALWAYS

**Type** 0717 series

**Name and address of the licensee**  
Inalways Corporation  
P. O. BOX 17-196  
Sinjhuang 24899  
Taipei County  
TAIWAN

**Address of the manufacturer**  
Inalways Electronic (Dongguang) Co. Ltd.  
Si Huan Rd., Xianxi, Changan Dongguan City  
GUANGDONG PROVINCE 523846  
CHINA

**Is in conformity with** EN 60320-1:2001 + A1:2007

**As shown in the Test Report(s) No(s)** 264861-1

**It is authorised to use of the marks** ENEC 16

**Validity** This certificate is valid until 19 December 2016 unless the standard in question has been amended or superseded with significant changes in requirements, in which case, SGS Fimko has the right to shorten the validity of the certificate based on the legislation of the European Union. This certificate includes the right to use the ENEC 16 mark under the condition that changes (if any) will be checked at SGS Fimko before the product is brought onto market and that the conditions for ENEC certification are met.

**Directive information** The product(s) fulfils the essential safety requirements for CE conformity marking according to the Low Voltage Directive (2006/95/EC) at the date of issue of this certificate.

**With the following limitations** -

**Date of issue** 19 December 2011

**Signature**  
  
Sixten Lökfors  
Project Manager

This certificate has 1 appendix

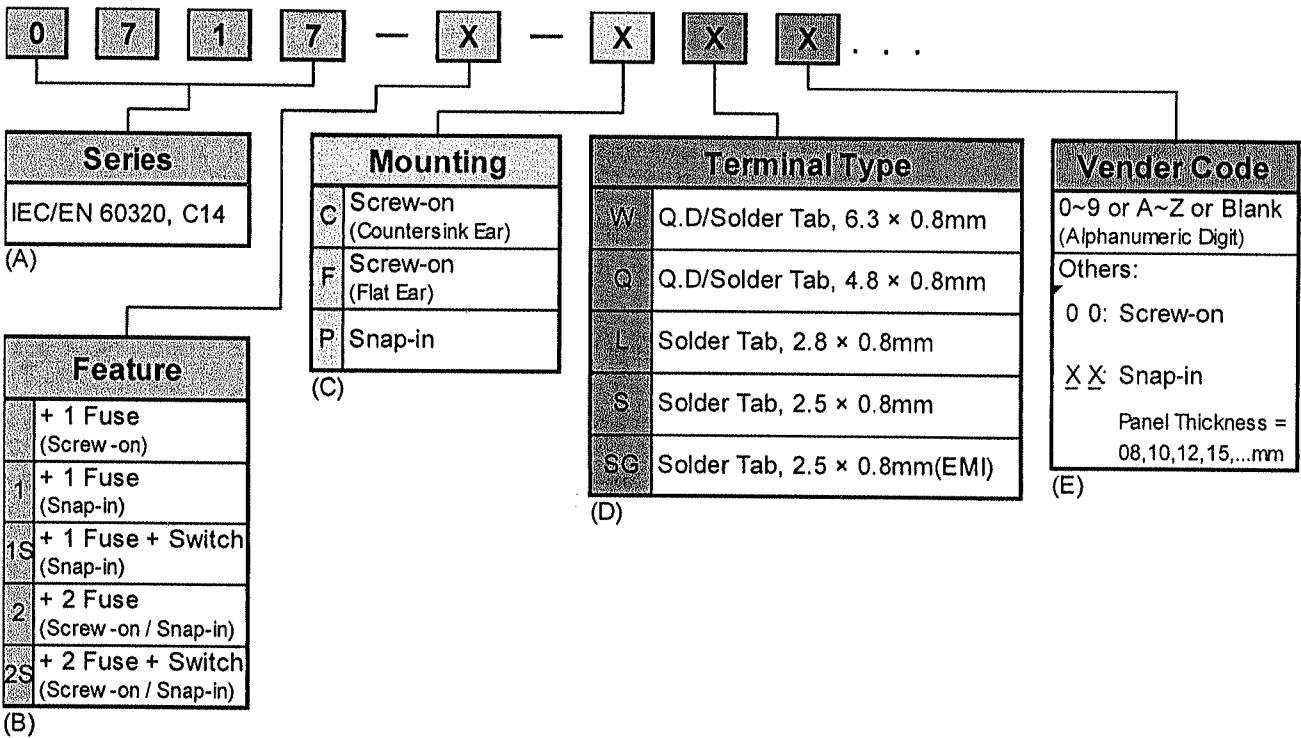


This certificate is issued by the company under its General Conditions for Certification Services accessible at [www.sgs.com/terms\\_and\\_conditions.htm](http://www.sgs.com/terms_and_conditions.htm). Attention is drawn to the limitations of liability defined therein and in the Test Report here above mentioned which findings are reflected in this certificate. Any unauthorized alteration, forgery or falsification of the content or appearance of this document is unlawful and offenders may be prosecuted to the fullest extent of the law.

**Additional information**

- Standard sheet C14 and C18
- for class I or class II equipments
- with or without fuse holder and opening for eg switch
- with different soldering tabs and fixings

**Product Code of 0717 series:**



**Manufacturing site(s)**

Inalways Electronic (Dongguang) Co. Ltd.  
 Si Huan Rd., Xianxi, Changan Dongguan City  
 GUANGDONG PROVINCE 523846, CHINA

접수번호 : 08-1920-1007  
(Order No.)



# 전기용품안전인증서

## Electrical Appliances Safety Certificate

안전인증번호 : SU04086-8001  
(Certificate No.)

제조업자명 : Inalways Electronic (Dongguan) Co., Ltd.  
(Factory)

대표자명 : Hong Jie Zheng  
(President)

제조공장의  
소재지 : Si Huan Rd, Xianxi, Chang An, Dongguan, P.R.China  
(Factory Address)

제품명 : 상호연결 커플러 (appliance inlet)  
(Product)

기본모델명 : 0717-1  
(Basic Model)

정격 : AC250V, 10A  
(Rating)

파생모델명 : 0717, 0717-2  
(Series Model)

적용기준 : K60320-1  
(Standard)

「전기용품안전 관리법 시행령」 제4조제3항의 규정에 의하여 위의 전기용품에 대하여  
안전인증서를 교부합니다.

We Issue Electrical Appliances Safety Certification as above product by Article 4 Section 3 of the  
Electrical Appliances Safety Control Law Operation Rule.

2008년 04월 01일  
year month day

**kti**

한국산업기술시험원

KOREA TESTING LABORATORY



- 첨부 : 1. 안전관리부품 및 재질목록 (List of Critical Components)  
(Annex) 2. 기본모델·파생모델의 내용 (General Descriptions of Certified Products)  
3. 전기용품안전인증의 변경 현황 (Status of Certificate Revisions)



# CERTIFICATE FOR CHINA COMPULSORY PRODUCT CERTIFICATION

No. : 2003010204074306

## NAME AND ADDRESS OF THE APPLICANT

INALWAYS ELECTRONIC(DONGGUAN) CO., LTD.  
Sihuan Road, Xianxi Village, Chang'an Town, Dongguan

## NAME AND ADDRESS OF THE MANUFACTURER

INALWAYS ELECTRONIC(DONGGUAN) CO., LTD.  
Sihuan Road, Xianxi Village, Chang'an Town, Dongguan

## NAME AND ADDRESS OF THE FACTORY

INALWAYS ELECTRONIC(DONGGUAN) CO., LTD.  
Sihuan Road, Xianxi Village, Chang'an Town, Dongguan

## NAME, MODEL AND SPECIFICATION

10A 250V Appliance Inlet for Class I Equipment for Cold  
Conditions;10A 250V Appliance Inlet for Class I Equipment for Cold  
Conditions with FUSE-HOLDERS

0707-1、0707-2、0711、0711-1、0711-1RS、0711-1RS-PQ、0711-1RS-PS、0711-  
1RS-PSG、0711-2、0711-SCQ、0711-SCS、0711-SPQ、0711-SPS、0714、0714-1、  
0714-P 10A 250V~; 0717、0717-1、0717-1S、0717-2、0717-2S 10A 250V~

## THE STANDARDS AND TECHNICAL REQUIREMENTS FOR THE PRODUCTS

GB17465.1-2009

This is to certify that the above mentioned products have met the  
requirements of implementation rules for compulsory certification(REF  
NO. CNCA-01C-006:2011).

Date of issue: Apr. 19, 2012      Date of expiry: Oct. 13, 2014

Validity of this certificate is subject to positive result of the regular  
follow up inspection by issuing certification body until the expiry date.

Date of original certification: Aug. 04, 2003

This certificate can be verified through CNCA's website: [www.cnca.gov.cn](http://www.cnca.gov.cn)



President:

Wang Kejiao




**CHINA QUALITY CERTIFICATION CENTRE**

Section 9, No. 188, Nansihuan Xilu, Beijing 100070 P.R. China

<http://www.cqc.com.cn>

Q 0535462



 <b>華瑋電子(東莞)有限公司</b> <b>出貨檢驗規範</b>							核准	審核	制作			
客戶名稱	RAPID		產品名稱	AC SOCKET		文件編號	郝哲菊	吳宗亮	宇路			
客戶料號	/		華瑋料號	0717-CL		文件版本						
抽樣標準	MIL-STD-105E單次正常II級抽樣		允收水準	CR = 0	MA = 0.1	MI = 0.25				客制編號		
檢驗項目	檢驗內容						缺點類別			檢驗方式 / 允收標準	判定	
							CR (嚴重)	MA (主要)	MI (次要)			
1. 紙箱外觀、料號、數量與箱麥確認	<input type="checkbox"/> 紙箱表面不可有壓垮、變形或破損、水漬、碰撞損壞							V		目視		
	<input type="checkbox"/> 出貨數量與出貨單數量須相符，箱麥標示需正確							V		目視 / 點數		
	<input type="checkbox"/> 出貨標籤之客戶料號、料號與送貨單資料及實物相符							V		目視		
2. 產品外觀檢測	<input type="checkbox"/> 主面外觀：射料不足、塑膠破損、髒污異色、毛邊、結合線、削傷、撞傷							V		目視		
	<input type="checkbox"/> 次表面外觀：射料不足、塑膠破損、髒污異色、毛邊、結合線、削傷、撞傷								V	目視		
	<input type="checkbox"/> 端子錯置 <input type="checkbox"/> 端子壓垮 <input type="checkbox"/> 端子漏植 <input type="checkbox"/> 端子未定位 <input type="checkbox"/> 端子晃動 <input type="checkbox"/> 端子漏加壓 <input type="checkbox"/> 卡鉤拉歪 <input type="checkbox"/> 卡鉤斷裂						V			目視		
	<input type="checkbox"/> 線材鉤焊端需完全包覆不可裸露或破損，松脫						V			目視		
	<input type="checkbox"/> 線材絕緣皮層不可破損，刮傷						V			目視		
	<input type="checkbox"/> 熱縮導管需熱縮到位							V		目視		
3. 尺寸檢驗(mm)	檢驗編號	尺寸規格	Cav#_	Cav#_	Cav#_	Cav#_	Cav#_	Cav#_	Cav#_	Cav#_	檢驗方式 / 允收標準	判定
	1	14.00±0.2									工程圖面	
	2	4.00±0.2									工程圖面	
	3	24+0.5/-0									工程圖面	
	4	16+0.5/-0									工程圖面	
	5	36.0±0.3									工程圖面	
	6	12+1/-0.5									工程圖面	
	7	15+0.5/-0									工程圖面	
	8	10.0±0.3									工程圖面	
											工程圖面	
											工程圖面	
											工程圖面	
4. 耐電壓&絕緣阻抗測試(依承認書測試條件)											高壓測試儀	
5. 扭力測試											<input type="checkbox"/> 扭力規格: 8kgf-cm <input type="checkbox"/> 特殊規格: _____ kgf-cm <input type="checkbox"/> N/A	
6. 拔出力測試											<input type="checkbox"/> SHEET F(10A): 全PIN最大50N，單PIN最小1.5N <input type="checkbox"/> SHEET J(16A): 全PIN最大60N，單PIN最小2N <input type="checkbox"/> N/A	
7. 膜厚測試	<input type="checkbox"/> 測試 <input type="checkbox"/> N/A										<input type="checkbox"/> 電鍍規格: 打銅底2.5um以上，鍍錫3.0um以上 <input type="checkbox"/> 電鍍規格: 打銅底2.5um以上，鍍錫3.0um以上 <input type="checkbox"/> 電鍍規格: 打銅底2.5um以上，鍍霧錫3.0um以上	
8. 刻字檢驗(Rating、料號、極性接地標示、INALWAYS Logo、認證安規標志、模具編號...).											目視	
9. 其它: _____												