

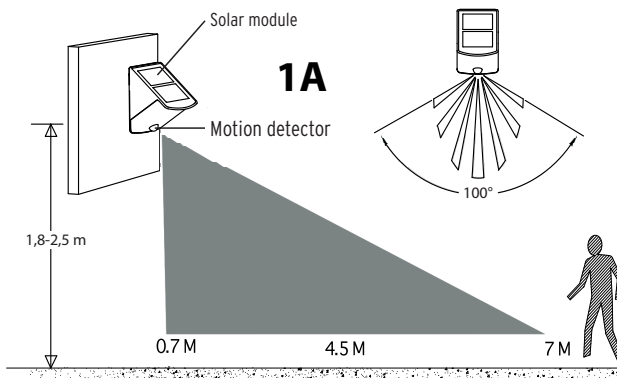
GB Installations- and Operating Instructions Solar LED wall lamp SOL 04 PLUS

Introduction

The lamp works with a built-in motion detector that constant scans for heat sources moving in its monitoring area. As soon as a heat source (such as a person or a car) is detected in this area, the light comes on and remains on as long as the heat source moves in the monitored area.

INSTALLATION TIPS

- The lamp should ideally be installed at a height of 1.8 to 2.5 metres to cover the maximum monitored area (see Fig. 1A).



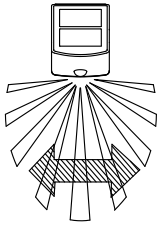
- To avoid false alarms, the light should be installed away from heat sources such as air conditioners, other outside lights, running cars, exhaust vents, and strong sources of electromagnetic disturbance.
- Do not aim the sensor at reflective surfaces such as smooth, white walls, swimming pools, etc.
- The motion detector's monitored area (about 7 metres at 100° monitoring field) can change somewhat depending on the height at which it is installed and the installation site. The monitored area can also change due to ambient temperature.
- Before you choose an installation site, please note that the motion detector reacts with greater sensitivity to movement across the monitored area than movements directly toward or away from the sensor (see Fig. 1B).

Solar LED-Wall Light SOL 04 PLUS

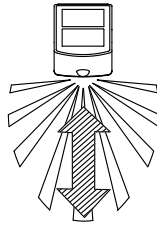
Directions for use



good detection

**1B**

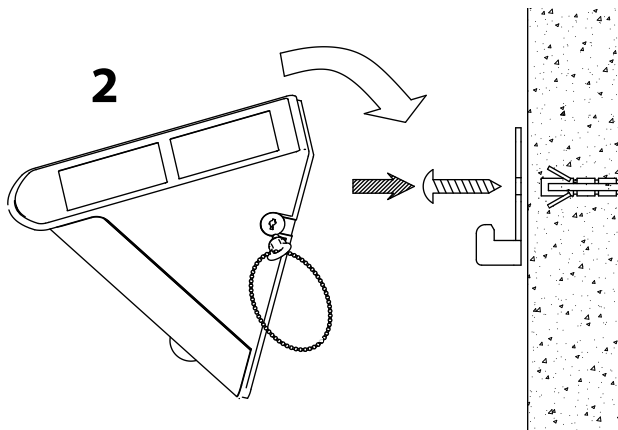
poor detection



- Mount the lamp such that the solar module receives the maximum possible DIRECT SUNLIGHT during the day.

INSTALLATION STEPS

1. Remove the light's mounting plate by opening the locking mechanism using the enclosed key and turning it toward „OPEN“.
2. Drill two holes in the wall on which you wish to install the lamp and mount the mounting plate with the screws (see Fig. 2).

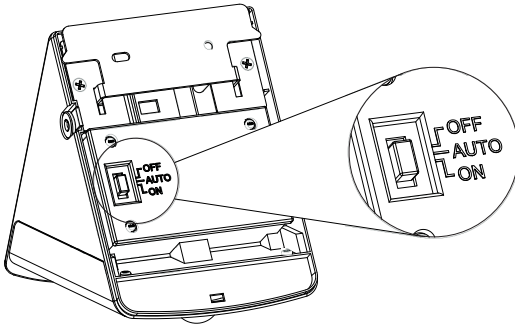


3. Mount the lamp on the mounting plate and secure it by turning the key to „LOCK“. Remove the key and keep it for future use.

OPERATION

1. The rechargeable batteries inside are charged by the solar module. The longer the solar module is exposed to direct sunlight during the day, the longer the light can remain on. Before starting to use the light, the batteries should be charged in sunlight for at least 3 to 4 days (slider switch set to OFF). Alternately, the batteries can be charged with a standard battery charger.
2. After the batteries are charged, the lamp can be used. The following operational modes can be set on the slider switch on the back of the housing.

- AUTO:** Normal operation through the integrated motion detector
ON: Constant light(e.g. as emergency light)
OFF: Deactivation for storage and for charging



FUNCTION

1. When the light is turned on for the first time, the LEDs light up and the motion detector begins to warm up. The LEDs will stay on for around 40 seconds and then blink 3 times and switch into operational mode.
2. The light is equipped with a dimmer switch, i.e. the light switches into „AUTO“ mode when it gets dark. The LEDs activate when movement is detected in the monitored area and stay on around 60 seconds after the last movement. If motion is detected when the light is already on, the lighting period begins again and the LEDs stay on for another 60 seconds.
3. In daylight or in bright surroundings, the light is not activated by motion.

REPLACING THE RECHARGEABLE BATTERIES

1. Set the switch to the OFF-position.
2. Remove the screws from the battery cover on the back of the light.
3. Remove the old batteries and replace them with new rechargeable AA Ni-MH 1.2 V batteries. Make sure the +/- poles are correctly connected.
4. The batteries should be charged in direct sunlight for at least 3 to 4 days prior the first use of the light (slider switch in OFF-position).

Solar LED-Wall Light SOL 04 PLUS

Directions for use

**TROUBLESHOOTING****Problem** Light does not activate when there is movement in the monitored area.**Possible Cause**

1. Batteries are dead
2. Nearby lights too bright.

Suggested Solution

Recharge batteries
Aim the unit away from the light source

Problem Light activates for no apparent reason (false alarm).**Possible Cause**

1. Heat sources such as air conditioners, exhaust vents, ventilation openings, other outdoor lights, running cars, activate the sensor.
2. Animals, e.g. martens or house pets.
3. Reflections from pool or from reflecting surfaces.

Suggested Solution

Place the light beyond these sources

Re-aiming the light can help.

Re-aim light

NOTE: Motion detectors are more sensitive in dry and cold surroundings than in moist and hot surroundings.

TECHNICAL DATA

Battery:

3 x AA 1,2 V / 600 mAh

Number of LEDs:

2 x 0,5 W

Light duration:

60 ± 2 Sec.

Monitored angle:

100°

Range:

max. 7 metres

Response sensitivity:

adjustable from daylight to night

Protection Class:

IP44

**DISPOSAL**

Dispose of electronic devices in an eco-friendly fashion! Electronic devices do not belong in your household waste. Compliant with European Guideline 2002/96/EG for electric and electronic devices, used electronic devices must be collected separately and taken in for environmentally sound re-cycling. Options for disposing of used devices may be obtained from your township, city or municipal government.

**Incorrect disposal of batteries rechargeable batteries can harm the environment!**

Batteries and rechargeable batteries do not belong in the household waste. They can contain poisonous heavy metals and are subject to treatment as hazardous wastes. Take your used batteries to a municipal collection site.