



brennenstuhl®

L2705 / L2705 PIR

(DE)

LED-LEUCHTE

Bedienungs- und Sicherheitshinweise

(GB)

LED-LIGHT

Operation and Safety Notes

(FR)

LAMPE LED

Instructions d'utilisation et consignes de sécurité

(NL)

LED-LAMP

Bedienings- en veiligheidsinstructies

(IT)

LAMPADE A LED

Indicazioni per l'uso e per la sicurezza

(SE)

LED-LAMPA

Bruksanvisning och säkerhetsanvisningar

(ES)

LÁMPARA LED

Instrucciones de utilización y de seguridad

(PL)

LAMPA LED

Wskazówki dotyczące obsługi i bezpieczeństwa

(CZ)

LED SVĚTLO

Pokyny pro obsluhu a bezpečnostní pokyny

(HU)

LED-LÁMPA

Kezelési és biztonsági utalások

(TR)

LED AYDINLATMASI

Kullanım ve güvenlik uyarıları

(FI)

LED-VALAISIN

Käyttö- ja turvallisuusohjeet

(GR)

ΦΩΤΑ LED

Υποδείξεις χειρισμού και ασφαλείας

(PT)

CANDEIRO LED

Instruções de utilização e de segurança

(RU)

LED-ОСВЕТИТЕЛИ

Инструкции по эксплуатации и технике безопасности

(EE)

LED-VALGUSTID

Kasutus- ja ohutusnõuded

(SK)

LED SVIETIDLO

Pokyny pre obsluhu a bezpečnostné pokyny

(SI)

LED SVETILKA

Navodila za upravljanje in varnostna opozorila

(LT)

LED ŠVIESTUVAI

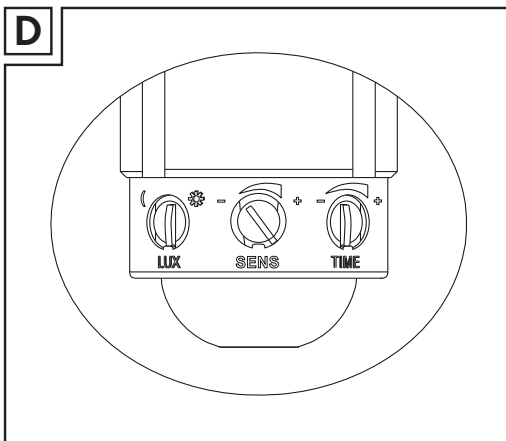
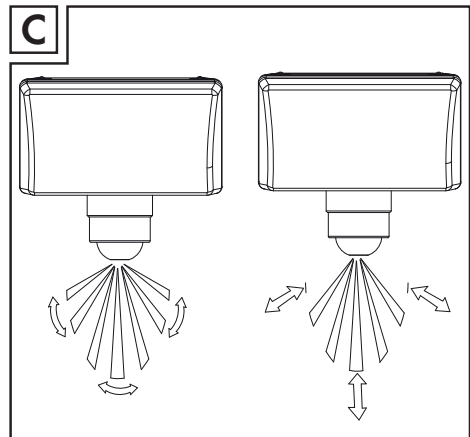
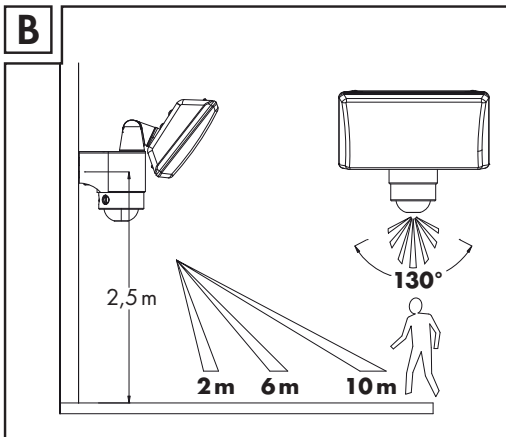
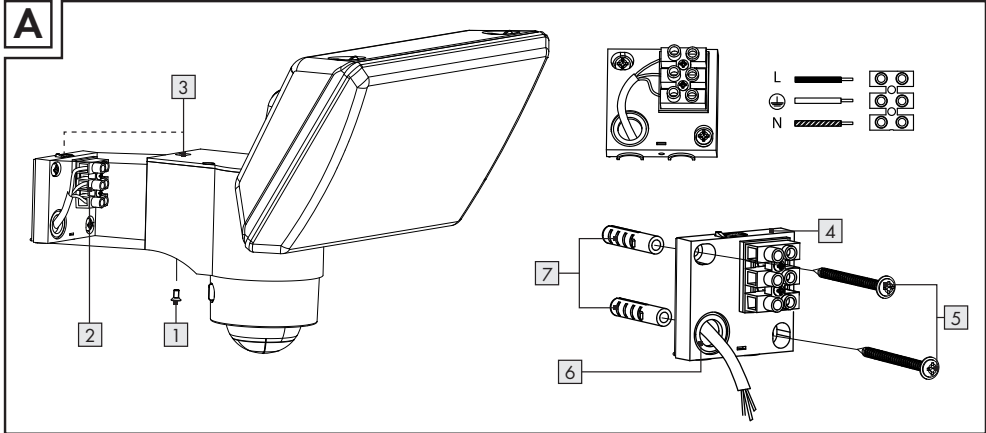
Valdymo ir saugos nurodymai

(LV)

LED LAMPA

Lietošanas un drošības norādījumi







LED-light (Models L2705 and L2705 PIR)

● Parts description

- 1 Screw for connector box
- 2 Screw terminal
- 3 Release button
- 4 Mounting plate
- 5 Screws for mounting plate
- 6 Cable feed-through
- 7 Wall plug



Safety notes

Note: Please ensure you read the following notes before installing the light. Make sure the power is switched off, before you install the light. The installation of the light should only be carried out by a qualified expert.

⚠ WARNING! This light may not be operated unless all sealing rings are located properly!

- LED-lights are extremely bright. Under no circumstances look into the light beam of the LED lights, as this may cause permanent damage to your eyes.



FIRE HAZARD! Fit the light so that it is at least 1 m away from the material being illuminated. Excessive heat can result in a fire.



If the glass is broken, it must be replaced with a new original Brennenstuhl protective glass before further use.

⚠ RISK OF INJURY FROM BURNS! Ensure the lamp has been switched off and allowed to cool before you touch it.

● Technical data

Voltage:	220-240 V~50/60 Hz
Wattage:	27 x 0,5 W LED
Weatherproof:	IP44
Protection:	Class I

This luminaire is only intended for normal use, must not be used for rough service.

Only for model L2705 PIR:

Detection area	
movement detector:	130° and max. 10 metres, adjustable
Time span:	adjustable from 10 (±5) seconds to 4 (±1) minutes

● Installation

Note: The light must be fitted to a dry, sturdy and stable surface according to the notes in Fig. B.

- Ideally the LED light should be fitted at a height of 1.8 bis 2.5 metres off the ground (see Fig. B).

Only for model L2705 PIR:

- The movement detector should not be directed towards heat sources, such as barbecues, air condition units, other outside lights, passing cars or ventilation openings, to avoid annoying unwanted activation.
- The movement detector should not be fitted in an area with strong electromagnetic interferences, to avoid annoying unwanted activation.
- Do not point the appliance towards reflective surfaces such as smooth white walls, swimming pools, etc. The technical specifications for the detection area (max. 10 metres at 130°) may vary depending on fitting height and place. The detection area of the appliance can also differ with changing temperature. Before you choose where to fit the appliance, you should take into consideration that movements perpendicular to the movement detector are more effective than movements straight towards or





away from the movement detector (see Fig. C). If the movement is straight to or away from the movement detector, the detection area is considerably reduced (see Fig. C).

○ Installation of the light (see Fig. A)

- Loosen the screw **1** on the connector box, press the release button **3** and then remove the mounting plate **4**.
- Use the mounting plate to mark the position for the screw holes on the mounting surface.
Important: Ensure that you do not drill into hidden cables or pipes.
- Lead the power cable through the cable feed-through **6** of the mounting plate and then affix the plate to the wall, using screws **5** and wall plugs **7**.
- Then connect the power cable to the screw terminal **2** according to Fig. A. (N = blue cable, earth symbol = green/yellow cable, L = brown cable).
- Refit the light body to the mounting plate. To do so, press the release button **3** and push the light onto the mounting plate until the release button snaps into place **3** again. Secure the connection with the screw on the connector box **1**. Adjust the desired light direction and tighten the screws.
- Switch mains power back on.


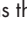
Only for model L2705 PIR (see Fig. D):

Setting the timer (TIME):

The length of time the light stays switched on after activation can be adjusted to between 10 (±5) seconds and 4 (±1) minutes. The time span can be shortened by turning the TIME control from (+) to (-).

Note: Once the light has been triggered by the movement sensor, the time span starts anew with every new detection.


Light adjustment (LUX):

The LUX control module features an integrated scanner (photocell), which can differentiate between day light and darkness. The symbol  denominates that the movement sensor is triggered day and night, where as the symbol  means that it only reacts at night.

Sensitivity (SENS):

Sensitivity means the maximum area where the movement sensor is triggered by movements. Turning the SENS-control from (+) to (-) decreases the sensitivity.

○ Setting the control (see Fig. D)

- Set the LUX-control to the symbol  and wait for half a minute until the control cycle is stabilised. When doing so, ensure that the TIME-control is set to minimum (-). The light switches on and stays on for a few seconds.
- Now adjust the movement sensor in such a way that the desired area is included.
- Get someone to run through the area to be scanned and adjust the sensor angle until the appliance registers the presence of the person by switching the light on (see Fig. C).
- Switch the TIME-control to the desired activation time.
- In order to adjust the LUX threshold, where the light switches on automatically during the night, turn the LUX-control from daylight to night.

Note: Should it be necessary to switch the light on earlier, i.e. at dusk, wait for the desired light level, turn the LUX-control direction daylight position, while someone runs through the middle of the detection area. Let go of the LUX-control once the light is switched on.





● Troubleshooting and user notices

Problem	Possible cause	Recommended solution
Light does not switch on for movements in the detection area.	1. No grid power	Please check all connections and fuses / switches.
	2. Lighting close by is too bright.	Please reposition the motion detector newly or change mounting area.
	3. Control set wrongly.	Reset sensor angle or readjust control.
Light switches itself on for no obvious reason (wrong trigger)	1. Heat sources such as air condition units, ventilation openings, outlets from heating units, barbecues, other outside lights or passing cars activate the movement sensor.	Align the sensor head away from these sources.
	2. Animals / birds or pets.	A new alignment of the sensor head can be helpful.
	3. Reflections from swimming pools or other reflecting surfaces.	Realign movement sensor.

Note: All devices with a PIR sensor react more sensitively in colder weather than in warm weather.

● Maintenance and Cleaning

The LED spotlight does not contain any serviceable components. The LEDs cannot be exchanged. Please only use a dry or damp cloth for cleaning and do not use solvents, acidic cleaners etc.

● Disposal

Dispose of electrical goods in an environmentally friendly way!



Do not dispose of electrical equipment in the household waste!

In accordance with European Directive 2002/96/EC relating to old electrical and electronic appliances, used electrical equipment must be collected separately and recycled in an ecologically compatible way.

Contact your local authorities for information on how to dispose of the appliance at the end of product life.

● Manufacturer

Hugo Brennenstuhl GmbH & Co. KG
Seestraße 1-3 · 72074 Tübingen · Germany

H. Brennenstuhl S.A.S.
F-67460 Souffelweyersheim

lectra-t ag
Blegistrasse 13 · CH-6340 Baar

For further information, we recommend you visit the service section / the FAQs on our homepage www.brennenstuhl.com

