

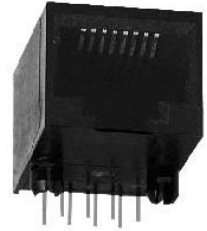
Communications connectors

Order code	Manufacturer code	Description
24-0425	SS6444-NF	4/4 STEWART PCB JACK UNSHIELDED (RC)
24-0430	SS6466-NF	6/6 STEWART PCB JACK UNSHIELDED (RC)
24-0435	SS6488-NF	8/8 STEWART PCB JACK UNSHIELDED (RC)
24-0445	SS650810-NF	8/10 STEWART VERT PCB JACK UNSHIELD (RC)

Communications connectors	Page 1 of 4
The enclosed information is believed to be correct, Information may change 'without notice' due to product improvement. Users should ensure that the product is suitable for their use. E. & O. E.	Revision A 04/07/2003

Connectors – Multipole

Unshielded Communication Jack Sockets

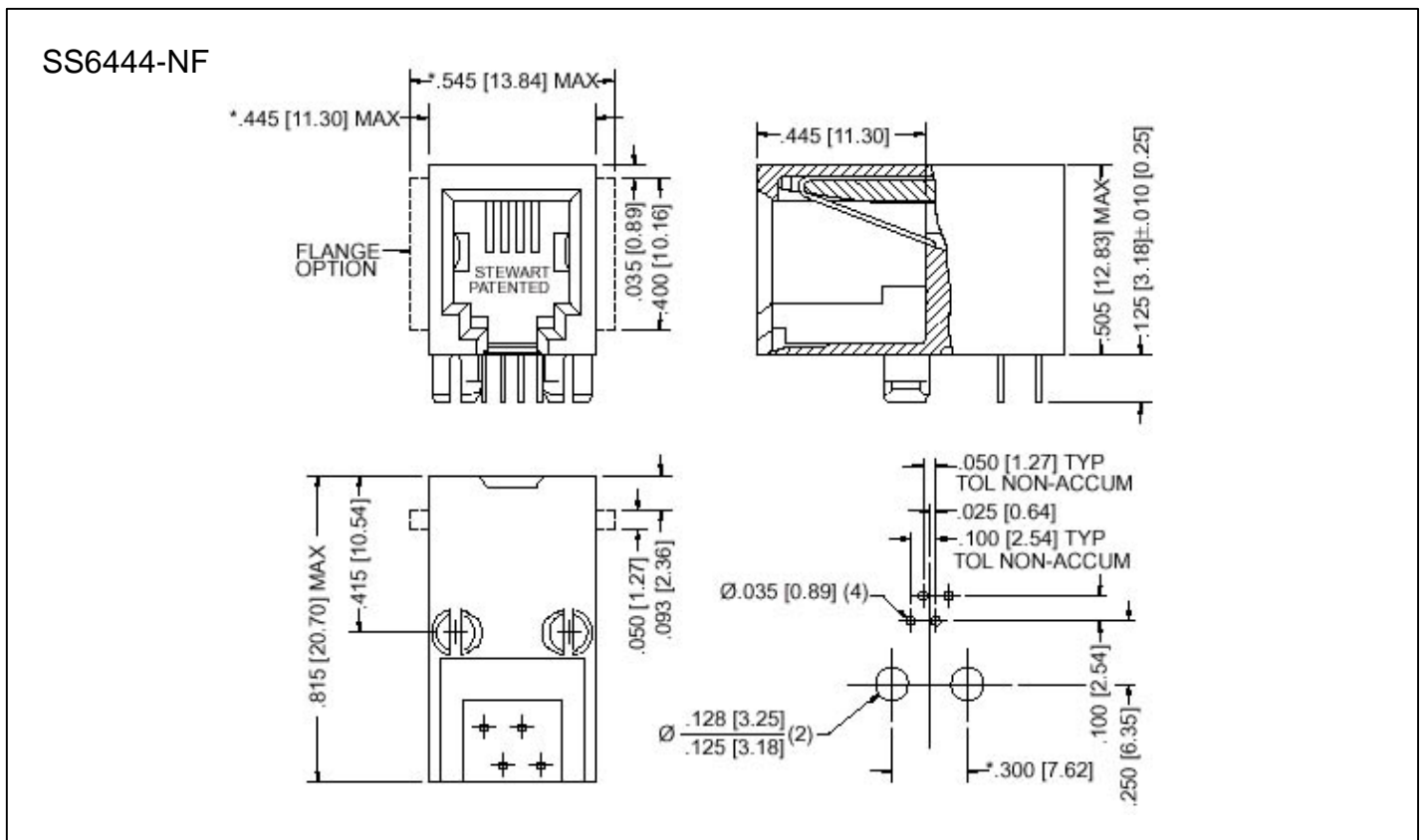


Stewart Part Number	Description
SS6444-NF	4 contact, 4 position right angle jack
SS6466-NF	6 contact, 6 position right angle jack
SS6488-NF	8 contact, 8 position right angle jack
SS650810-NF	8 contact, 10 position vertical jack

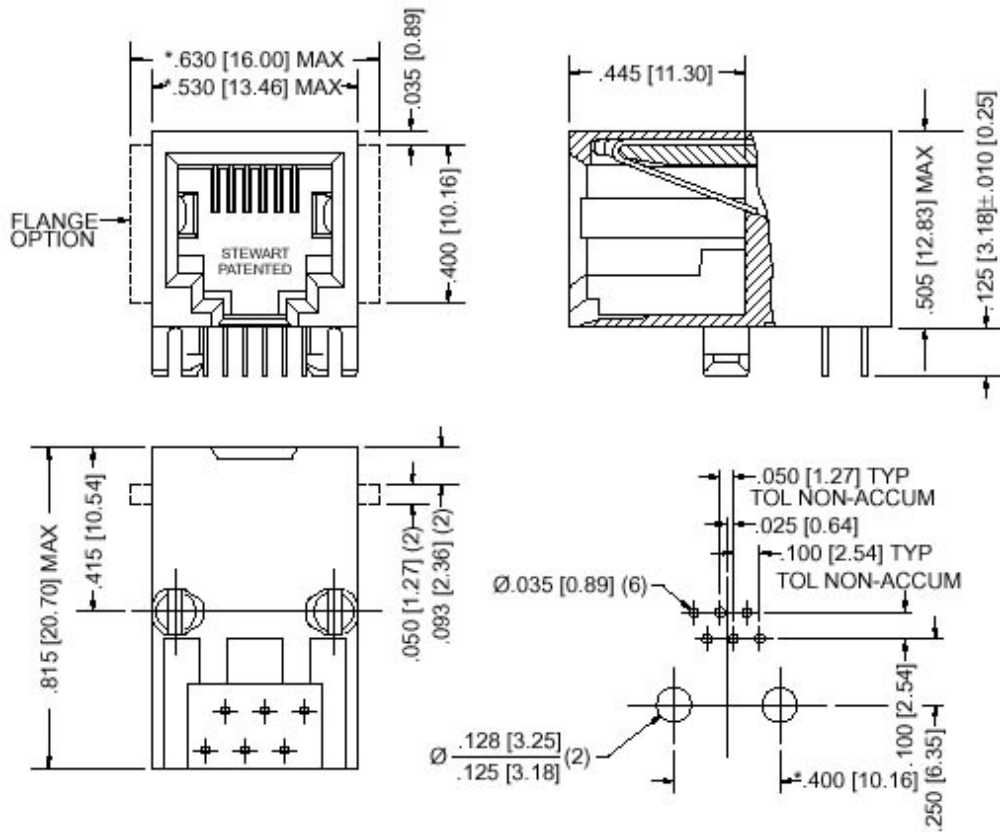
Technical Specification:

Current rating:	1.5A
Voltage rating:	150VAC
Housing material:	Glass filled thermoplastic
Contacts:	Phosphor bronze
Operating temperature:	-20°C to +85°C
Approvals:	UL and CSA approved

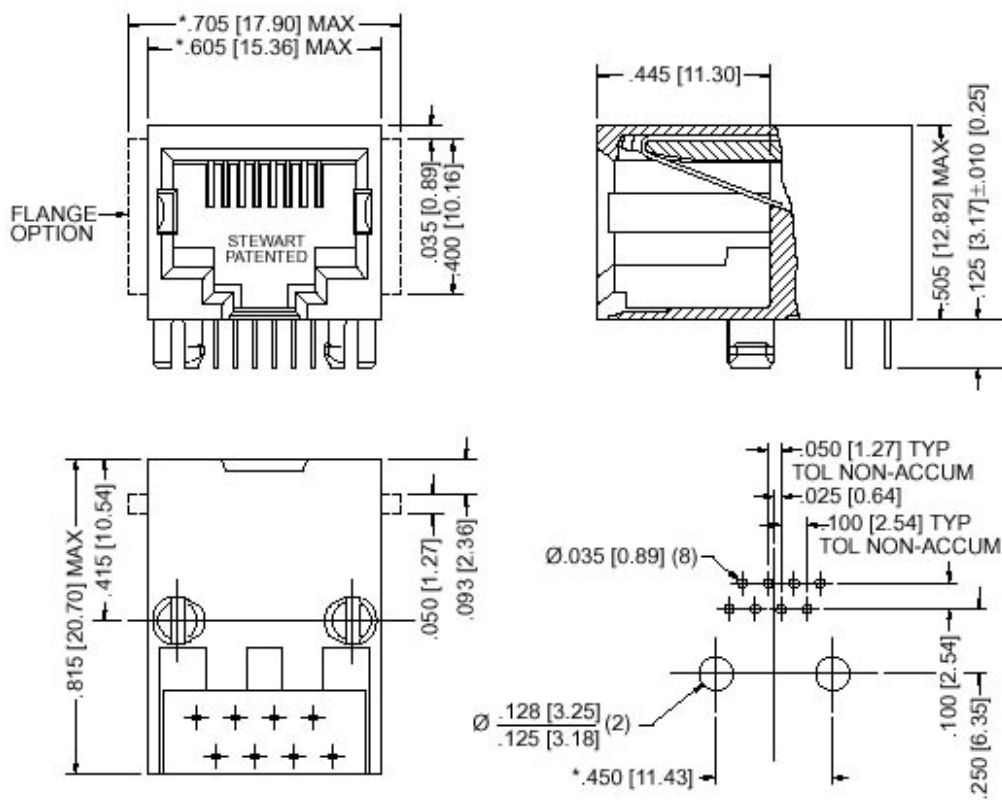
Dimensions:



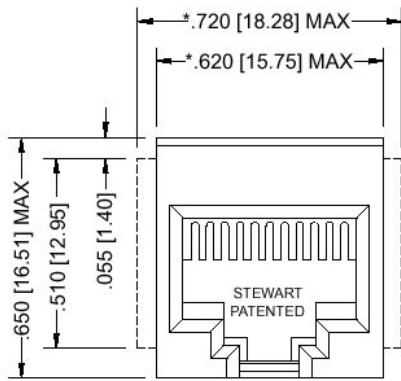
SS6466-NF



SS6488-NF



SS650810-NF



FLANGE
OPTION

