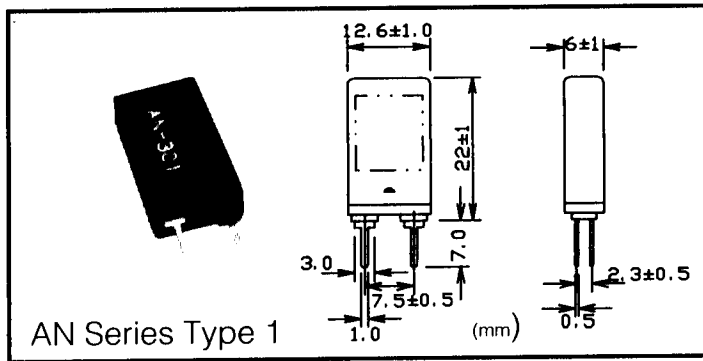


## Circuit breakers

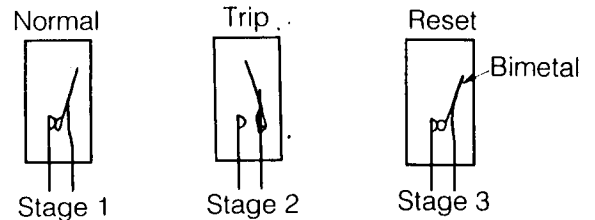
Order code	Manufacturer code	Description
26-1110	n/a	AN101 1.0A CIRCUIT BREAKER
26-1125	n/a	AN161 1.6A CIRCUIT BREAKER
26-1140	n/a	AN221 2.2A CIRCUIT BREAKER
26-1160	n/a	AN301 3A CIRCUIT BREAKER
26-1185	n/a	AN501 5A CIRCUIT BREAKER

Circuit breakers	Page 1 of 2
The enclosed information is believed to be correct, Information may change 'without notice' due to product improvement. Users should ensure that the product is suitable for their use. E. & O. E.	Revision A 04/07/2003

## CIRCUIT BREAKER AN - SERIES



## OPERATING SEQUENCE



## FEATURES

1. High current accuracy.\*
2. Protection against excessive temperature.
3. Snap action.
4. Automatic reset type.
5. Long life.
6. P.B.T. resin enclosure.
7. Economically priced.
8. Reliable.
9. Two mounting options.

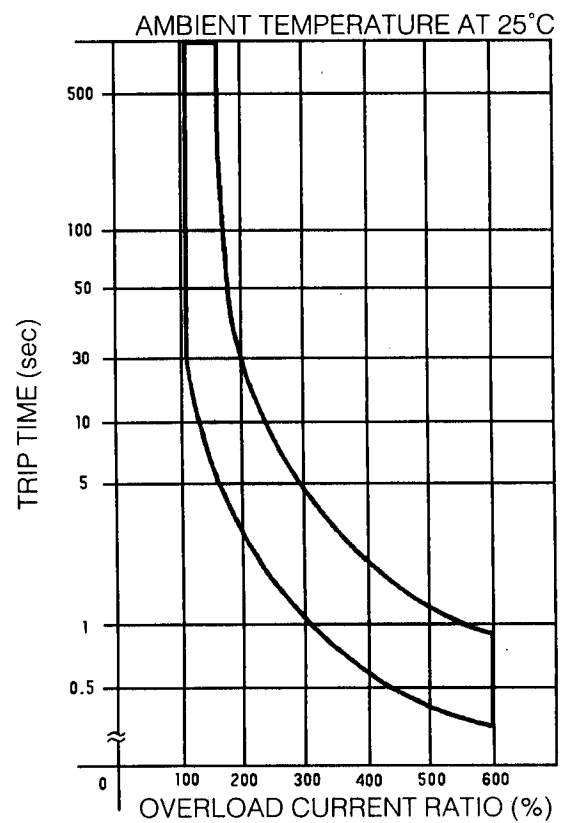
\* Low current models should be used within following maximum ambient temperatures :

AN-04, AN-05 50°C

AN-06 - 60°C

AN-08 - 70°C

Note : Rated hold current decreases with temp >25°C, and increases with temp <25°C.



Type 1 PC	Rated Hold Current (A) AC at 25°C	Max Voltage (V)	Trip Time		Internal Resistance (m )	Maximum Interrupt Current (A)
			200% Overload Current	300%		
AN-101	1.0	250	within 30 secs	within 5 secs	Under 150	20
AN-161	1.6	250	"	"	Under 100	20
AN-221	2.2	250	"	"	Under 75	20
AN-301	3.0	250	"	"	Under 35	30
AN-501	5.0	250	"	"	Under 30	50