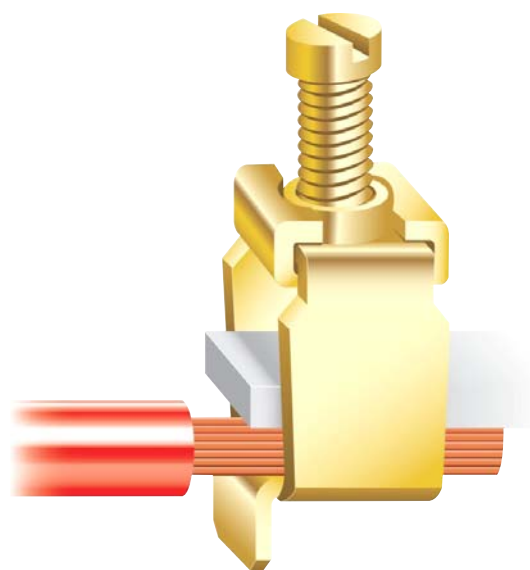


# Standard terminal blocks



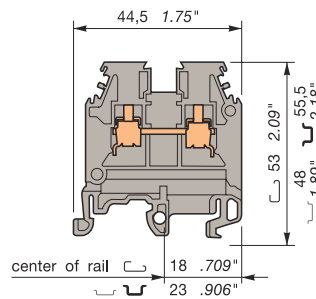
# Standard terminal blocks

## Compression clamp

DIN 1 - 3

### MA 2,5/5...

Spacing 5 mm + 0,08 (.200")



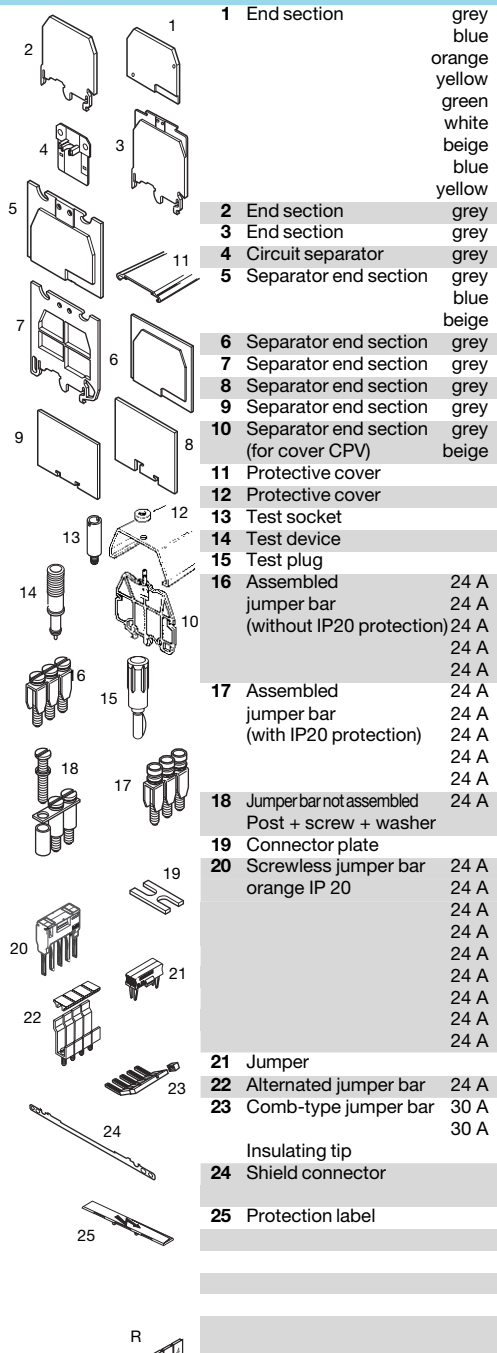
Standard 5 mm block.

0115 486.03

Color	Type	Part numbers
<i>Standard blocks</i>		
Grey	MA 2,5/5	0115 486.03
Blue	MA 2,5/5.N	0125 486.05
Yellow	MA 2,5/5	0105 486.12
White	MA 2,5/5	0105 052.21
Orange	MA 2,5/5	0105 075.20
Beige V0	MA 2,5/5.V0	0195 486.04
Blue V0	MA 2,5/5.N.V0	0199 010.21



### Accessories



Type	Part numbers
1 End section grey	FEM6 th. 2,8 mm 0118 368.16
1 End section blue	FEM6 th. 2,8 mm 0128 368.10
1 End section orange	FEM6 th. 2,8 mm 0103 126.16
1 End section yellow	FEM6 th. 2,8 mm 0103 062.21
1 End section green	FEM6 th. 2,8 mm 0103 125.15
1 End section white	FEM6 th. 2,8 mm 0103 312.20
1 End section beige	FEM6 V0 th. 2,8 mm 0198 368.17
1 End section blue	FEM6 V0 th. 2,8 mm 0199 302.07
1 End section yellow	FEM6 V0 th. 2,8 mm 0199 305.02
2 End section grey	FEM61 (2) th. 3,0 mm 0114 776.23
3 End section grey	FEM6C (2) th. 3,0 mm 0114 777.24
4 Circuit separator grey	SCMA5 0116 728.25
5 Separator end section grey	SCF6 th. 3,0 mm 0118 707.03
5 Separator end section blue	SCF6 th. 3,0 mm 0128 707.05
5 Separator end section beige	SCF6 V0 th. 3,0 mm 0198 707.04
6 Separator end section grey	SCF61 th. 3,0 mm 0114 202.25
7 Separator end section grey	SCFM6 (2) th. 3,0 mm 0114 825.05
8 Separator end section grey	SCFEX1 (2) th. 2,4 mm 0103 619.04
9 Separator end section grey	SCFEX3 (2) th. 2,4 mm 0103 620.01
10 Separator end section (for cover CPV) grey	SCFCV1-2 (2) th. 3,0 mm 0116 795.11
10 Separator end section (for cover CPV) beige	SCFCV1-2 V0(2)V0 th. 3,0 mm 0196 795.12
11 Protective cover	CPM (for FEM6C, SCF6(V0) and SCFM6) 0187 312.14
12 Protective cover	CPV1-2 (for SCFCV1-2...) 0176 816.12
13 Test socket	AL2 (1) DIA. 2 mm 0163 046.24
14 Test device	DCB blue 0105 028.21
15 Test plug	FC2 DIA. 2 mm 0007 865.26
16 Assembled jumper bar (without IP20 protection) 24 A	BJM5 (1) 2 poles 0176 273.01
16 Assembled jumper bar (without IP20 protection) 24 A	BJM5 (1) 3 poles 0176 274.02
16 Assembled jumper bar (without IP20 protection) 24 A	BJM5 (1) 4 poles 0176 275.03
16 Assembled jumper bar (without IP20 protection) 24 A	BJM5 (1) 5 poles 0176 276.04
16 Assembled jumper bar (without IP20 protection) 24 A	BJM5 (1) 10 poles 0176 277.05
16 Assembled jumper bar (with IP20 protection) 24 A	BJM5 (1) 2 poles 0176 278.16
16 Assembled jumper bar (with IP20 protection) 24 A	BJM5 (1) 3 poles 0176 279.17
16 Assembled jumper bar (with IP20 protection) 24 A	BJM5 (1) 4 poles 0176 280.05
16 Assembled jumper bar (with IP20 protection) 24 A	BJM5 (1) 5 poles 0176 281.22
16 Assembled jumper bar (with IP20 protection) 24 A	BJM5 (1) 10 poles 0176 282.23
18 Jumper bar not assembled Post + screw + washer	BJS5 (1) 20 poles 0177 652.06
19 Connector plate	EV5 0168 629.16
20 Screwless jumper bar orange IP 20	EL6 0173 627.21
20 Screwless jumper bar orange IP 20	BJE5.2 2 poles 0199 227.23
20 Screwless jumper bar orange IP 20	BJE5.3 3 poles 0199 228.04
20 Screwless jumper bar orange IP 20	BJE5.4 4 poles 0199 298.03
20 Screwless jumper bar orange IP 20	BJE5.5 5 poles 0199 299.04
20 Screwless jumper bar orange IP 20	BJE5.6 6 poles 0299 861.03
20 Screwless jumper bar orange IP 20	BJE5.7 7 poles 0299 862.04
20 Screwless jumper bar orange IP 20	BJE5.8 8 poles 0299 863.05
20 Screwless jumper bar orange IP 20	BJE5.9 9 poles 0299 864.06
20 Screwless jumper bar orange IP 20	BJE5.10 10 poles 0199 443.24
21 Jumper	BJB 0199 466.23
22 Alternated jumper bar	BJA5 10 poles 0205 021.26
23 Comb-type jumper bar	PC5 2 poles 0113 542.10
23 Comb-type jumper bar	PC5 10 poles 0113 544.12
24 Insulating tip	EIP 0113 550.24
24 Shield connector	CBM5 th. 0,5 mm 0178 745.14
24 Shield connector	CBM8 th. 0,8 mm 0178 746.15
25 Protection label	EPU5 0107 033.10

Test connector : See Accessories section

End stop	th. 9 mm	BADL V0	0199 408.02
End stop	th. 9,1 mm	BAM	0103 002.26
Rail	35 x 7,5 x 1	PR30 prepunched	0173 220.05
Rail	35 x 15 x 2,3	PR4	0168 500.12
Rail	35 x 15 x 1,5	PR5 prepunched	0101 598.26
Rail	32 x 15 x 1,5	PR1Z2	0163 050.04

Other end stops and rails : See Accessories section

### Characteristics

#### Wire size

	IEC		UL	CSA
	NFC	DIN		
Compression Solid wire	0,2-4 mm <sup>2</sup>		24-12 AWG	24-12 AWG
clamp Stranded wire	0,22-2,5 mm <sup>2</sup>		24-12 AWG	24-12 AWG

#### Voltage

	800 V	600 V	600 V
Rated			
Pulse	8 kV		
Pollution degree	3		

#### Current

	24 A	30 A	25 A
Rated			

#### Wire size

Rated / Gauge	2,5 mm <sup>2</sup> / A3	12 AWG	12 AWG
Wire stripping length	Recomm. Screwdriver	Recomm. torque	Protection
10 mm	3,5 mm	0,4-0,6 Nm	IP 20
.39"	.137"	3,5-5,3 lb.in	NEMA 1

### Notes

The use of some accessories may decrease the block's voltage rating. For more information, consult us.

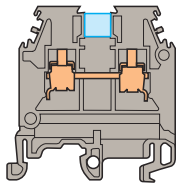
R See section on markers marking method

(10) Sides of blocks and RC 510 only, top of blocks

Note : (1) A circuit separator SC may be required with the use of these accessories. (2) End section and circuit separator snapped on rails.

**MA 2,5/5.1...**

Spacing 5 mm + 0,08 (.200")

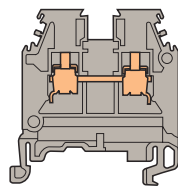


Grey		<b>MA 2,5/5.1</b>	<b>0115 485.02</b>
Blue		<b>MA 2,5/5.1.N</b>	<b>0125 485.04</b>
Beige V0		<b>MA 2,5/5.1.V0</b>	<b>0195 485.03</b>
Blue V0		<b>MA 2,5/5.1.N.V0</b>	<b>0199 009.05</b>

MA 2,5/5 blocks with partition.

**DA 2,5/5**

Spacing 5 mm + 0,08 (.200")



Grey **0215 486.17**

MA 2,5/5 without central foot for DIN 3 rail only



Type		Part numbers	Part numbers	Part numbers	Part numbers	Part numbers
FEM6	th. 2,8 mm	0118 368.16	0118 368.16			
FEM6	th. 2,8 mm	0128 368.10	0128 368.10			
FEM6	th. 2,8 mm	0103 126.16	0103 126.16			
FEM6	th. 2,8 mm	0103 062.21	0103 062.21			
FEM6	th. 2,8 mm	0103 125.15	0103 125.15			
FEM6	th. 2,8 mm	0103 312.20	0103 312.20			
FEM6 V0	V0 th. 2,8 mm	0198 368.17	V0 0198 368.17			
FEM6 V0	V0 th. 2,8 mm	0199 302.07	V0 0199 302.07			
FEM6 V0	V0 th. 2,8 mm	0199 305.02	V0 0199 305.02			
FEM61	(2) th. 3,0 mm	0114 776.23				
FEM6C	(2) th. 3,0 mm	0114 777.24				
			0116 728.25			
SCF6	th. 3,0 mm	0118 707.03	0118 707.03			
SCF6	th. 3,0 mm	0128 707.05	0128 707.05			
SCF6 V0	V0 th. 3,0 mm	0198 707.04	V0 0198 707.04			
SCF61	th. 3,0 mm	0114 202.25	0114 202.25			
SCFM6	(2) th. 3,0 mm	0114 825.05				
SCFEX1	(2)	th. 2,4 mm 0103 619.04				
SCFCV3	(2)	th. 2,4 mm 0103 620.01	(2) 0103 620.01			
SCFCV1-2	(2) th. 3,0 mm	0116 795.11	(2) 0116 795.11			
SCFCV1-2 V0	(2)V0 th. 3,0 mm	0196 795.12	(2)V0 0196 795.12			
CPM	(for FEM6C, SCF6(V0) and SCFM6)	0187 312.14	0187 312.14			
CPV1-2	(for SCFCV1-2...)	0176 816.12	0176 816.12			
AL2	DIA. 2 mm	0163 046.24	0163 046.24			
DCB	blue	0105 028.21	0105 028.21			
FC2	DIA. 2 mm	0007 865.26	0007 865.26			
BJM5	(3) 2 poles	0176 273.01	(1) 0176 273.01			
BJM5	(3) 3 poles	0176 274.02	(1) 0176 274.02			
BJM5	(3) 4 poles	0176 275.03	(1) 0176 275.03			
BJM5	(3) 5 poles	0176 276.04	(1) 0176 276.04			
BJM5	(3) 10 poles	0176 277.05	(1) 0176 277.05			
BJM15	(3) 2 poles	0176 278.16	(1) 0176 278.16			
BJM15	(3) 3 poles	0176 279.17	(1) 0176 279.17			
BJM15	(3) 4 poles	0176 280.05	(1) 0176 280.05			
BJM15	(3) 5 poles	0176 281.22	(1) 0176 281.22			
BJM15	(3) 10 poles	0176 282.23	(1) 0176 282.23			
BJS5	(3) 20 poles	0177 652.06	(1) 0177 652.06			
EV5		0168 629.16	0168 629.16			
EL6		0173 627.21	0173 627.21			
BJE5.2	2 poles	0199 227.23	0199 227.23			
BJE5.3	3 poles	0199 228.04	0199 228.04			
BJE5.4	4 poles	0199 298.03	0199 298.03			
BJE5.5	5 poles	0199 299.04	0199 299.04			
BJE5.6	6 poles	0299 861.03	0299 861.03			
BJE5.7	7 poles	0299 862.04	0299 862.04			
BJE5.8	8 poles	0299 863.05	0299 863.05			
BJE5.9	9 poles	0299 864.06	0299 864.06			
BJE5.10	10 poles	0199 443.24	0199 443.24			
BJB		0199 466.23	0199 466.23			
BJA5	10 poles	0205 021.26	0205 021.26			
PC5	2 poles	0113 542.10	0113 542.10			
PC5	10 poles	0113 544.12	0113 544.12			
EIP		0113 550.24	0113 550.24			
CBM5	th. 0,5 mm	0178 745.14	0178 745.14			
CBM8	th. 0,8 mm	0178 746.15	0178 746.15			
EPU5		0107 033.10	0107 033.10			

<sup>(10)</sup> Sides of blocks and RC510 only - Top of block

<sup>(10)</sup>

Note : (1) A circuit separator SC may be required with the use of these accessories. (2) End sections and circuit separators snapped on rails. (3) Use of these accessories requires the user to cut out the partition.

# Standard terminal blocks

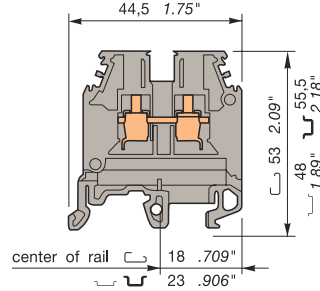
## Compression clamp

DIN 1 - 3



### M 4/6...

Spacing 6 mm + 0,05 (.238")



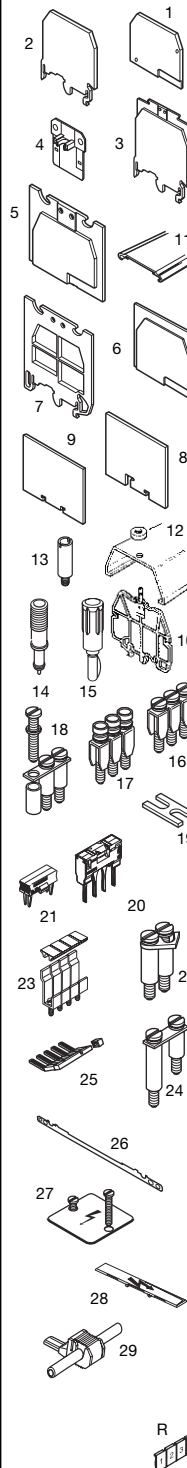
Standard 6 mm block

0115 116.07

Color	Type	Part numbers
<b>Standard blocks</b>		
Grey	M 4/6	0115 116.07
Blue	M 4/6.N	0125 116.01
Orange	M 4/6	0105 002.20
Yellow	M 4/6	0105 116.16
Green	M 4/6	0105 001.27
Red	M 4/6	0105 032.15
Black	M 4/6	0105 031.14
White	M 4/6	0105 051.20
Brown	M 4/6	0105 209.14
Violet	M 4/6	0206 404.05
Beige V0	M 4/6.V0	0195 116.00
Blue V0	M 4/6.N.V0	0199 002.26



## Accessories



Type	Part numbers
<b>1</b> End section	grey <b>FEM6</b> th. 2,8 mm <b>0118 368.16</b> blue <b>FEM6</b> th. 2,8 mm <b>0128 368.10</b> orange <b>FEM6</b> th. 2,8 mm <b>0103 126.16</b> yellow <b>FEM6</b> th. 2,8 mm <b>0103 062.21</b> green <b>FEM6</b> th. 2,8 mm <b>0103 125.15</b> white <b>FEM6</b> th. 2,8 mm <b>0103 312.20</b> beige <b>FEM6 V0</b> V0 th. 2,8 mm <b>0198 368.17</b> blue <b>FEM6 V0</b> V0 th. 2,8 mm <b>0199 302.07</b> yellow <b>FEM6 V0</b> V0 th. 2,8 mm <b>0199 305.02</b>
<b>2</b> End section	grey <b>FEM61</b> (3) th. 3,0 mm <b>0114 776.23</b>
<b>3</b> End section	grey <b>FEM6C</b> (3) th. 3,0 mm <b>0114 777.24</b>
<b>4</b> Circuit separator	grey <b>SCM6</b> <b>0113 003.10</b> blue <b>SCM6</b> <b>0123 003.12</b> beige <b>SCM6 V0</b> V0 <b>0193 003.11</b>
<b>5</b> Separator end section	grey <b>SCF6</b> th. 3,0 mm <b>0118 707.03</b> blue <b>SCF6</b> th. 3,0 mm <b>0128 707.05</b> beige <b>SCF6 V0</b> V0 th. 3,0 mm <b>0198 707.04</b>
<b>6</b> Separator end section	grey <b>SCF61</b> th. 3,0 mm <b>0114 202.25</b>
<b>7</b> Separator end section	grey <b>SCFM6</b> (3) th. 3,0 mm <b>0114 825.05</b>
<b>8</b> Separator end section	grey <b>SCFEX1</b> (3) th. 2,4 mm <b>0103 619.04</b>
<b>9</b> Separator end section	grey <b>SCFEX3</b> (3) th. 2,4 mm <b>0103 620.01</b>
<b>10</b> Separator end section (for cover CPV)	grey <b>SCFCV1-2</b> (3) th. 3,0 mm <b>0116 795.11</b> beige <b>SCFCV1-2 V0</b> (3)V0 th. 3,0 mm <b>0196 795.12</b>
<b>11</b> Protective cover	<b>CPM</b> (for FEM6C, SCF6(V0) and SCFM6) <b>0187 312.14</b>
<b>12</b> Protective cover	<b>CPV1-2</b> (for SCFCV1-2...) <b>0176 816.12</b>
<b>13</b> Test socket	<b>AL2</b> (1) DIA. 2 mm <b>0163 043.21</b> <b>AL3</b> (1) DIA. 3 mm <b>0163 261.00</b> <b>DCJ</b> yellow <b>0173 059.03</b>
<b>14</b> Test device	<b>FC2</b> DIA. 2 mm <b>0007 865.26</b> <b>FC4</b> DIA. 4 mm <b>0167 860.01</b>
<b>15</b> Test plug	<b>BJM6</b> (1) 2 poles <b>0168 516.25</b> <b>BJM6</b> (1) 3 poles <b>0168 517.26</b> <b>BJM6</b> (1) 4 poles <b>0168 518.07</b> <b>BJM6</b> (1) 5 poles <b>0168 519.00</b> <b>BJM6</b> (1) 10 poles <b>0168 973.07</b>
<b>16</b> Assembled jumper bar (without IP20 protection)	32 A <b>BJMI6</b> (1) 2 poles <b>0176 663.00</b> 32 A <b>BJMI6</b> (1) 3 poles <b>0176 664.01</b> 32 A <b>BJMI6</b> (1) 4 poles <b>0176 665.02</b> 32 A <b>BJMI6</b> (1) 5 poles <b>0176 666.03</b> 32 A <b>BJMI6</b> (1) 10 poles <b>0176 667.04</b>
<b>17</b> Assembled jumper bar (with IP20 protection)	32 A <b>BJS6</b> (1) 20 poles <b>0174 784.20</b>
<b>18</b> Jumper bar not assembled Post + screw + washer	<b>EV6</b> <b>0168 604.16</b>
<b>19</b> Connector plate	<b>EL6</b> <b>0173 627.21</b>
<b>20</b> Screwless jumper bar orange IP 20	32 A <b>BJE6.2</b> (4) 2 poles <b>0299 694.04</b> 32 A <b>BJE6.3</b> (4) 3 poles <b>0299 695.05</b> 32 A <b>BJE6.4</b> (4) 4 poles <b>0299 696.06</b> 32 A <b>BJE6.5</b> (4) 5 poles <b>0299 697.07</b> 32 A <b>BJE6.10</b> (4) 10 poles <b>0299 702.14</b>
<b>21</b> Jumper	<b>BJB</b> <b>0199 466.23</b>
<b>22</b> Pivoting jumper bar	<b>BJP6</b> (1) <b>0174 413.14</b>
<b>23</b> Alternated jumper bar	<b>BJA6</b> (1) 10 poles <b>0116 541.12</b>
<b>24</b> Universal jumper bar	50 A <b>BJDP1</b> (1)(2) spacing 6 <-> spacing 16 <b>0179 623.03</b> 70 A <b>BJDP3</b> (1)(2) spacing 6 <-> spacing 12 <b>0179 625.05</b> 50 A <b>BJDP4</b> (1)(2) spacing 6 <-> spacing 8 or 10 <b>0174 781.25</b>
<b>25</b> Comb-type jumper bar	35 A <b>PC6</b> (4) 2 poles <b>0113 546.14</b> 35 A <b>PC6</b> (4) 10 poles <b>0113 548.26</b>
<b>26</b> Shield connector	<b>EIP</b> <b>0113 550.24</b> <b>CBM5</b> th. 0,5 mm <b>0178 745.14</b> <b>CBM8</b> th. 0,8 mm <b>0178 746.15</b>
<b>27</b> Protection label	<b>EP6</b> 4 blocks <b>0163 427.17</b> <b>VSP6</b> <b>0163 433.15</b>
<b>28</b> Protection label	<b>EPU6</b> <b>0107 038.25</b>
<b>29</b> IDC jumper	<b>AD2,5</b> <b>0114 205.20</b>

Test connector : See Accessories section

End stop	th. 9 mm	<b>BADL</b> V0	<b>0199 408.02</b>
End stop	th. 9,1 mm	<b>BAM</b>	<b>0103 002.26</b>
Rail	35 x 7,5 x 1	<b>PR30</b> prepunched	<b>0173 220.05</b>
Rail	35 x 15 x 2,3	<b>PR4</b>	<b>0168 500.12</b>
Rail	35 x 15 x 1,5	<b>PR5</b> prepunched	<b>0101 598.26</b>
Rail	32 x 15 x 1,5	<b>PR1Z2</b>	<b>0163 050.04</b>

Other end stops and rails : See Accessories section

## Characteristics

Wire size	IEC		UL	CSA
	NFC	DIN		
Compression Solid wire	0,2-4 mm <sup>2</sup>	24-10 AWG	24-10 AWG	24-10 AWG
clamp Stranded wire	0,22-4 mm <sup>2</sup>	24-10 AWG	24-10 AWG	24-10 AWG

Voltage			
Rated	800 V	600 V	600 V
Pulse	8 kV		
Pollution degree	3		

Current			
Rated	32 A	30 A	25 A

Wire size			
Rated / Gauge	4 mm <sup>2</sup> / A4	10 AWG	10 AWG
Wire stripping length	Recomm. Screwdriver	Recomm. torque	Protection
9,5 mm	4 mm	0,5-0,8 Nm	IP 20
.37"	.157"	4.4-7 lb.in.	NEMA 1

## Notes

The use of some accessories may decrease the block's voltage rating. For more information, consult us.

**BJDP1** permits the interconnection with a terminal block series "M" spacing 16 mm.

**BJDP3** permits the interconnection with a terminal block series "M" spacing 12 mm.

**BJDP4** permits the interconnection with a terminal block series "D" spacing 8 mm or a terminal block series "M" spacing 8 or 10 mm.

**R** See section on markers method (1) (2)  
 Note : (1) A circuit separator SC may be required with the use of these accessories.  
 (2) See "Notes". (3) End sections and separators snapped on rails.  
 (4) See section : "Accessories" for other configurations of poles.



# Single pole, multiclamp terminal blocks

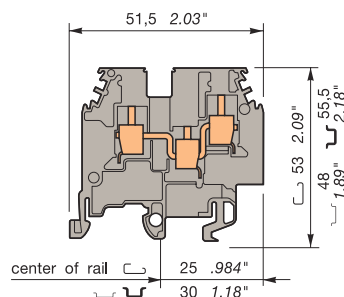
## Compression clamp



DIN 1 - 3

### M 4/6.3A...

Spacing 6 mm + 0,1 (.238")



Standard 6 mm block.

0115 468.20

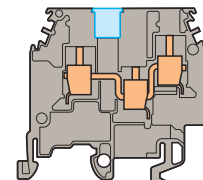
Color	Type	Part numbers
-------	------	--------------

Standard blocks

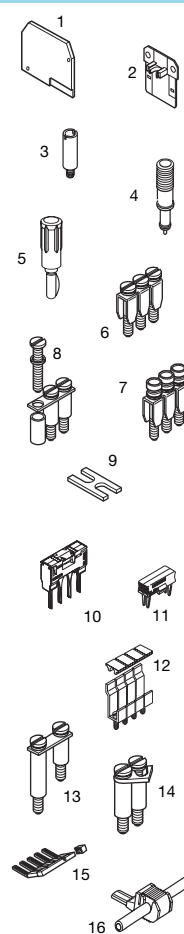
Grey	M 4/6.3A	0115 468.20
Blue	M 4/6.3A.N	0125 468.22
Beige V0	M 4/6.3A.V0	0195 468.21

M 4/6.3A with partition

Grey	M 4/6.3A.1	0115 483.00
------	------------	-------------



### Accessories



Type	Part numbers
<b>1</b> End section	grey <b>FEM3A</b> th. 3,0 mm <b>0116 576.15</b> blue <b>FEM3A</b> th. 3,0 mm <b>0126 576.17</b> yellow <b>FEM3A</b> th. 3,0 mm <b>0103 862.20</b> beige <b>FEM3A V0</b> V0 th. 3,0 mm <b>0196 576.16</b>
<b>2</b> Circuit separator	grey <b>SCM6</b> <b>0113 003.10</b> blue <b>SCM6</b> <b>0123 003.12</b> yellow <b>SCM6</b> <b>0103 020.23</b> beige <b>SCM6 V0</b> V0 <b>0193 003.11</b>
<b>3</b> Test socket	<b>AL2</b> (1) DIA. 2,0 mm <b>0163 043.21</b> <b>AL3</b> (1) DIA. 3,0 mm <b>0163 261.00</b>
<b>4</b> Test device	<b>DCJ</b> yellow <b>0173 059.03</b>
<b>5</b> Test plug	<b>FC2</b> DIA. 2,0 mm <b>0007 865.26</b>
<b>6</b> Assembled jumper bar (without IP 20 protection)	32 A <b>BJM6</b> (1)(2) 2 poles <b>0168 516.25</b> 32 A <b>BJM6</b> (1)(2) 3 poles <b>0168 517.26</b> 32 A <b>BJM6</b> (1)(2) 4 poles <b>0168 518.07</b> 32 A <b>BJM6</b> (1)(2) 5 poles <b>0168 519.00</b> 32 A <b>BJM6</b> (1)(2) 10 poles <b>0168 973.07</b>
<b>7</b> Assembled jumper bar (with IP 20 protection)	32 A <b>BJMI6</b> (1)(2) 2 poles <b>0176 663.00</b> 32 A <b>BJMI6</b> (1)(2) 3 poles <b>0176 664.01</b> 32 A <b>BJMI6</b> (1)(2) 4 poles <b>0176 665.02</b> 32 A <b>BJMI6</b> (1)(2) 5 poles <b>0176 666.03</b> 32 A <b>BJMI6</b> (1)(2) 10 poles <b>0176 667.04</b>
<b>8</b> Jumper bar not assembled Post + screw + washer	32 A <b>BJS6</b> (1)(2) 20 poles <b>0174 784.20</b> <b>EV6</b> <b>0168 604.16</b>
<b>9</b> Connector plate	<b>EL6</b> <b>0173 627.21</b>
<b>10</b> Screwless jumper bar orange IP 20	32 A <b>BJE6.2</b> (1) 2 poles <b>0299 694.04</b> 32 A <b>BJE6.3</b> (1) 3 poles <b>0299 695.05</b> 32 A <b>BJE6.4</b> (1) 4 poles <b>0299 696.06</b> 32 A <b>BJE6.5</b> (1) 5 poles <b>0299 697.07</b> 32 A <b>BJE6.6</b> (1) 6 poles <b>0299 698.10</b> 32 A <b>BJE6.7</b> (1) 7 poles <b>0299 699.11</b> 32 A <b>BJE6.8</b> (1) 8 poles <b>0299 700.26</b> 32 A <b>BJE6.9</b> (1) 9 poles <b>0299 701.13</b> 32 A <b>BJE6.10</b> (1) 10 poles <b>0299 702.14</b>
<b>11</b> Jumper	<b>BJB</b> <b>0199 466.23</b>
<b>12</b> Alternated jumper bar	35 A <b>BJA6</b> (1)(2) <b>0116 541.12</b>
<b>13</b> Universal jumper bar	50 A <b>BJDP1</b> (1)(2) spacing 6 <-> spacing 16 <b>0179 623.03</b> 70 A <b>BJDP3</b> (1)(2) spacing 6 <-> spacing 12 <b>0179 625.05</b> 50 A <b>BJDP4</b> (1)(2) spacing 6 <-> spacing 8 or 10 <b>0174 781.25</b>
<b>14</b> Pivoting jumper bar	35 A <b>BJP6</b> (1)(2) <b>0174 413.14</b>
<b>15</b> Comb-type jumper bar	35 A <b>PC6</b> 2 poles <b>0113 546.14</b> 35 A <b>PC6</b> 3 poles <b>0116 536.05</b> 35 A <b>PC6</b> 4 poles <b>0116 537.06</b> 35 A <b>PC6</b> 10 poles <b>0113 548.26</b>
<b>16</b> IDC jumper	Insulating tip <b>EIP</b> <b>0113 550.24</b> <b>AD2,5</b> <b>0114 205.20</b>

End stop	th. 9 mm	<b>BADL V0</b>	<b>0199 408.02</b>
End stop	th. 9,1 mm	<b>BAM</b>	<b>0103 002.26</b>
Rail	35 x 7,5 x 1	<b>PR30</b> prepunched	<b>0173 220.05</b>
Rail	35 x 15 x 2,3	<b>PR4</b>	<b>0168 500.12</b>
Rail	35 x 15 x 1,5	<b>PR5</b> prepunched	<b>0101 598.26</b>
Rail	32 x 15 x 1,5	<b>PR1Z2</b>	<b>0163 050.04</b>

Other end stops and rails : See Accessories section

### Characteristics

#### Wire size

		IEC	UL	CSA
		NFC DIN		
Compression clamp	Solid wire	0,2-4 mm <sup>2</sup>	22-10 AWG	12 AWG max.
	Stranded wire	0,22-4 mm <sup>2</sup>	22-10 AWG	12 AWG max.

#### Voltage

Rated	800 V	600 V	600 V
Pulse	8 kV		
Pollution degree	3		

#### Current

Rated	32 A	20 A	25 A
-------	------	------	------

#### Wire size

Rated / Gauge	4 mm <sup>2</sup> / A4	10 AWG	12 AWG
---------------	------------------------	--------	--------

Wire stripping length	Recomm. Screwdriver	Recomm. torque	Protection
9,5 mm	4 mm	0,5-0,8 Nm	IP 20
37"	.157"	4.4-7 lb.in	NEMA 1

### Notes

The use of some accessories may decrease the block's voltage rating. For more information, consult us.



**R** See section on markers marking method <sup>11</sup> <sup>12</sup>

Note: (1) A circuit separator SC may be required with the use of these accessories.  
(2) Use of these accessories requires the user to cut out the partition of the terminal block M 4/6.3A.1.

# Single pole, multiclamp terminal blocks

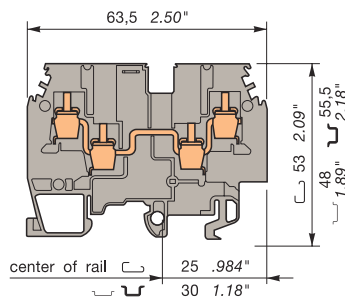
## Compression clamp



DIN 1 - 3

### M 4/6.4A...

Spacing 6 mm + 0,1 (.238")



Standard 6 mm block.

0115 479.23

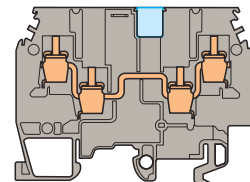
Color	Type	Part numbers
-------	------	--------------

Standard blocks

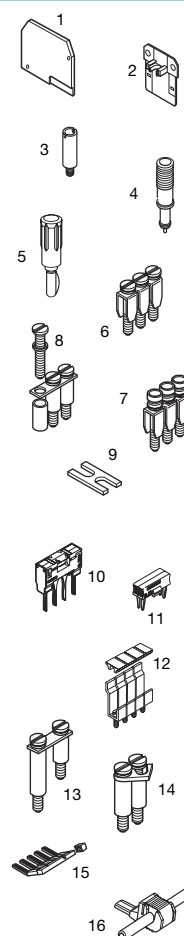
Grey	M 4/6.4A	0115 479.23
Blue	M4/6.4A.N	0125 479.25
Beige V0	M4/6.4A.V0	0195 479.24

M 4/6.4A with partition

Grey	M4/6.4A.1	0115 482.07
------	-----------	-------------



### Accessories



Type	Part numbers
<b>1</b> End section	grey <b>FEM4A</b> th. 3,0 mm <b>0116 629.22</b> blue <b>FEM4A</b> th. 3,0 mm <b>0126 629.24</b> yellow <b>FEM4A</b> th. 3,0 mm <b>0103 863.21</b> beige <b>FEM4A V0</b> V0 th. 3,0 mm <b>0196 629.23</b>
<b>2</b> Circuit separator	grey <b>SCM6</b> <b>0113 003.10</b> blue <b>SCM6</b> <b>0123 003.12</b> yellow <b>SCM6</b> <b>0103 020.23</b> beige <b>SCM6 V0</b> V0 <b>0193 003.11</b>
<b>3</b> Test socket	<b>AL2</b> (1) DIA. 2,0 mm <b>0163 043.21</b> <b>AL3</b> (1) DIA. 3,0 mm <b>0163 261.00</b>
<b>4</b> Test device	<b>DCJ</b> yellow <b>0173 059.03</b>
<b>5</b> Test plug	<b>FC2</b> DIA. 2,0 mm <b>0007 865.26</b>
<b>6</b> Assembled jumper bar (without IP 20 protection)	32 A <b>BJM6</b> (1)(2) 2 poles <b>0168 516.25</b> 32 A <b>BJM6</b> (1)(2) 3 poles <b>0168 517.26</b> 32 A <b>BJM6</b> (1)(2) 4 poles <b>0168 518.07</b> 32 A <b>BJM6</b> (1)(2) 5 poles <b>0168 519.00</b> 32 A <b>BJM6</b> (1)(2) 10 poles <b>0168 973.07</b>
<b>7</b> Assembled jumper bar (with IP 20 protection)	32 A <b>BJM16</b> (1)(2) 2 poles <b>0176 663.00</b> 32 A <b>BJM16</b> (1)(2) 3 poles <b>0176 664.01</b> 32 A <b>BJM16</b> (1)(2) 4 poles <b>0176 665.02</b> 32 A <b>BJM16</b> (1)(2) 5 poles <b>0176 666.03</b> 32 A <b>BJM16</b> (1)(2) 10 poles <b>0176 667.04</b>
<b>8</b> Jumper bar not assembled Post + screw + washer	32 A <b>BJS6</b> (1)(2) 20 poles <b>0174 784.20</b> <b>EV6</b> <b>0168 604.16</b>
<b>9</b> Connector plate	<b>EL6</b> <b>0173 627.21</b>
<b>10</b> Screwless jumper bar orange IP 20	32 A <b>BJE6.2</b> (1) 2 poles <b>0299 694.04</b> 32 A <b>BJE6.3</b> (1) 3 poles <b>0299 695.05</b> 32 A <b>BJE6.4</b> (1) 4 poles <b>0299 696.06</b> 32 A <b>BJE6.5</b> (1) 5 poles <b>0299 697.07</b> 32 A <b>BJE6.6</b> (1) 6 poles <b>0299 698.10</b> 32 A <b>BJE6.7</b> (1) 7 poles <b>0299 699.11</b> 32 A <b>BJE6.8</b> (1) 8 poles <b>0299 700.26</b> 32 A <b>BJE6.9</b> (1) 9 poles <b>0299 701.13</b> 32 A <b>BJE6.10</b> (1) 10 poles <b>0299 702.14</b>
<b>11</b> Jumper	<b>BJB</b> <b>0199 466.23</b>
<b>12</b> Alternated jumper bar	35 A <b>BJA6</b> (1)(2) <b>0116 541.12</b>
<b>13</b> Universal jumper bar	50 A <b>BJDP1</b> (1)(2) spacing 6 <-> spacing 16 <b>0179 623.03</b> 70 A <b>BJDP3</b> (1)(2) spacing 6 <-> spacing 12 <b>0179 625.05</b> 50 A <b>BJDP4</b> (1)(2) spacing 6 <-> spacing 8 or 10 <b>0174 781.15</b>
<b>14</b> Pivoting jumper bar	35 A <b>BJP6</b> (1)(2) <b>0174 413.14</b>
<b>15</b> Comb-type jumper bar	35 A <b>PC6</b> 2 poles <b>0113 546.14</b> 35 A <b>PC6</b> 3 poles <b>0116 536.05</b> 35 A <b>PC6</b> 4 poles <b>0116 537.06</b> 35 A <b>PC6</b> 10 poles <b>0113 548.26</b>
Insulating tip	<b>EIP</b> <b>0113 550.24</b>
<b>16</b> IDC jumper	<b>AD2,5</b> <b>0114 205.20</b>

End stop	th. 9 mm	<b>BADL V0</b>	<b>0199 408.02</b>
End stop	th. 9,1 mm	<b>BAM</b>	<b>0103 002.26</b>
Rail	35 x 7,5 x 1	<b>PR30</b> prepunched	<b>0173 220.05</b>
Rail	35 x 15 x 2,3	<b>PR4</b>	<b>0168 500.12</b>
Rail	35 x 15 x 1,5	<b>PR5</b> prepunched	<b>0101 598.26</b>
Rail	32 x 15 x 1,5	<b>PR1Z2</b>	<b>0163 050.04</b>

Other end stops and rails : See Accessories section

### Characteristics

Wire size				
		IEC	UL	CSA
		NFC	DIN	
Compression clamp	Solid wire	0,2-4 mm <sup>2</sup>	22-10 AWG	12 AWG max.
	Stranded wire	0,22-4 mm <sup>2</sup>	22-10 AWG	12 AWG max.
Voltage				
Rated		800 V	600 V	600 V
Pulse		8 kV		
Pollution degree		3		
Current				
Rated		32 A	20 A	25 A
Wire size				
Rated / Gauge		4 mm <sup>2</sup> / A4	10 AWG	12 AWG
Wire stripping length	Recomm. Screwdriver	Recomm. torque	Protection	
9,5 mm	4 mm	0,5-0,8 Nm	IP 20	
37"	.157"	4.4-7 lb.in	NEMA 1	

### Notes

The use of some accessories may decrease the block's voltage rating. For more information, consult us.

**R** See section on markers marking method <sup>⑪</sup> <sup>⑫</sup>  
 Nota : (1) A circuit separator SC may be required with the use of these accessories.  
 (2) Use of these accessories requires the user to cut out the partition of the terminal block M 4/6.4A.1.

# Standard terminal blocks

## Compression clamp

DIN 1 - 3

Test connector : See Accessories section

End stop	th. 9 mm	<b>BADL V0</b>	<b>0199 408.02</b>
End stop	th. 9,1 mm	<b>BAM</b>	<b>0103 002.26</b>
Rail	35 x 7,5 x 1	<b>PR30</b> prepunched	<b>0173 220.05</b>
Rail	35 x 15 x 2,3	<b>PR4</b>	<b>0168 500.12</b>
Rail	35 x 15 x 1,5	<b>PR5</b> prepunched	<b>0101 598.26</b>
Rail	32 x 15 x 1,5	<b>PR1Z2</b>	<b>0163 050.04</b>

Other end stops and rails : See Accessories section

## Characteristics

### Wire size

		IEC	UL	CSA
		NFC DIN		
Compression	Solid wire	0,5-10 mm <sup>2</sup>	24-8 AWG	24-8 AWG
clamp	Stranded wire	0,5-6 mm <sup>2</sup>	24-8 AWG	24-8 AWG

### Voltage

Rated	800 V	600 V	600 V
Pulse	8 kV		
Pollution degree	3		

### Current

Rated	41 A	50 A	55 A
-------	------	------	------

### Wire size

Rated / Gauge		6 mm <sup>2</sup> / A5	8 AWG	8 AWG
Wire stripping length	Recomm. Screwdriver	Recomm. torque	Protection	
12 mm	4-5 mm	0,8-1 Nm	IP 20	
.47"	.157"-.197"	7.1-8.9 lb.in.	NEMA 1	

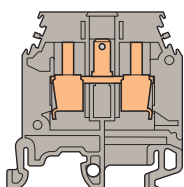
## Notes

The use of some accessories may decrease the block's voltage rating. For more information, consult us.

- BJDP1** permits the interconnection with a terminal block series "M" spacing 16 mm.
- BJDP3** permits the interconnection with a terminal block series "M" spacing 12 mm.
- BJDP5** permits the interconnection with a terminal block series "M" spacing 10 mm.

## M 6/8.2A.G

Spacing 8 mm - 0,05 (.315")

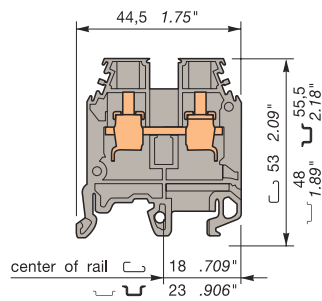


Grey 0115 672.24

Standard 8 mm block with a partition and a central quick-connect output for 2,8 x 0,8 mm series 110 tabs.

## M 6/8...

Spacing 8 mm - 0,05 (.315")



Standard 8 mm block.

0115 118.11

Color	Type	Part numbers
<i>Standard block</i>		
Grey	<b>M 6/8</b>	<b>0115 118.11</b>
Blue	<b>M 6/8.N</b>	<b>0125 118.13</b>
Orange	<b>M 6/8</b>	<b>0105 004.22</b>
Yellow	<b>M 6/8</b>	<b>0105 118.20</b>
Beige V0	<b>M 6/8.V0</b>	<b>0195 118.12</b>
Blue V0	<b>M 6/8.N.V0</b>	<b>0199 003.27</b>



## Accessories

	Type	Part numbers
1 End section	grey	<b>FEM6</b> th. 2,8 mm <b>0118 368.16</b>
	blue	<b>FEM6</b> th. 2,8 mm <b>0128 368.10</b>
	orange	<b>FEM6</b> th. 2,8 mm <b>0103 126.16</b>
	yellow	<b>FEM6</b> th. 2,8 mm <b>0103 062.21</b>
	green	<b>FEM6</b> th. 2,8 mm <b>0103 125.15</b>
	white	<b>FEM6</b> th. 2,8 mm <b>0103 312.20</b>
	beige	<b>FEM6 V0</b> V0 th. 2,8 mm <b>0198 368.17</b>
	blue	<b>FEM6 V0</b> V0 th. 2,8 mm <b>0199 302.07</b>
	yellow	<b>FEM6 V0</b> V0 th. 2,8 mm <b>0199 305.02</b>
2 End section	grey	<b>FEM61</b> (3) th. 3,0 mm <b>0114 776.23</b>
3 End section	grey	<b>FEM6C</b> (3) th. 3,0 mm <b>0114 777.24</b>
4 Separator end section	grey	<b>SCM6</b> th. 3,0 mm <b>0113 003.10</b>
	blue	<b>SCM6</b> th. 3,0 mm <b>0123 003.12</b>
	beige	<b>SCM6 V0</b> V0 th. 3,0 mm <b>0193 003.11</b>
5 Separator end section	grey	<b>SCF6</b> th. 3,0 mm <b>0118 707.03</b>
	blue	<b>SCF6</b> th. 3,0 mm <b>0128 707.05</b>
	beige	<b>SCF6 V0</b> V0 th. 3,0 mm <b>0198 707.04</b>
6 Separator end section	grey	<b>SCF61</b> th. 3,0 mm <b>0114 202.25</b>
7 Separator end section	grey	<b>SCFM6</b> (3) th. 3,0 mm <b>0114 825.05</b>
8 Separator end section	grey	<b>SCFEX1</b> (3) th. 2,4 mm <b>0103 619.04</b>
9 Separator end section	grey	<b>SCFEX3</b> (3) th. 2,4 mm <b>0103 620.01</b>
10 Separator end section (for cover CPV)	grey	<b>SCFCV1-2</b> th. 3,0 mm <b>0116 795.11</b>
	beige	<b>SCFCV1-2 V0</b> V0 th. 3,0 mm <b>0196 795.12</b>
11 Protective cover		<b>CPM</b> (for FEM6C, SCF6(V0) and SCFM6) <b>0187 312.14</b>
12 Protective cover		<b>CPV1-2</b> (for SCFCV1-2...) <b>0176 816.12</b>
13 Test socket		<b>AL2</b> (1) DIA. 2 mm <b>0163 043.21</b>
		<b>AL3</b> (1) DIA. 3 mm <b>0163 261.00</b>
		<b>AL4</b> (1) DIA. 4 mm <b>0163 262.01</b>
14 Test device	orange	<b>DCO</b> <b>0173 060.00</b>
15 Test plug		<b>FC2</b> DIA. 2 mm <b>0007 865.26</b>
		<b>FC4</b> DIA. 4 mm <b>0167 860.01</b>
16 Assembled jumper bar	41 A	<b>BJM8</b> (1) 2 poles <b>0168 520.05</b>
	41 A	<b>BJM8</b> (1) 3 poles <b>0168 521.22</b>
	41 A	<b>BJM8</b> (1) 4 poles <b>0168 522.23</b>
	41 A	<b>BJM8</b> (1) 5 poles <b>0168 523.24</b>
	41 A	<b>BJM8</b> (1) 10 poles <b>0168 974.16</b>
17 Assembled jumper bar (with IP20 protection)	41 A	<b>BJMI8</b> (1) 2 poles <b>0176 669.00</b>
	41 A	<b>BJMI8</b> (1) 3 poles <b>0176 670.13</b>
	41 A	<b>BJMI8</b> (1) 4 poles <b>0176 671.00</b>
	41 A	<b>BJMI8</b> (1) 5 poles <b>0176 672.01</b>
	41 A	<b>BJMI8</b> (1) 10 poles <b>0176 673.02</b>
18 Jumper bar not assembled (Post + washer + captive screw)	41 A	<b>BJS8</b> (1) 20 poles <b>0174 789.05</b>
		<b>EV6</b> <b>0168 604.16</b>
19 Connector plate	35 A	<b>EL6</b> <b>0173 627.21</b>
20 Screwless jumper bar orange IP 20	41 A	<b>BJE8.2</b> (4) 2 poles <b>0299 712.05</b>
	41 A	<b>BJE8.3</b> (4) 3 poles <b>0299 713.06</b>
	41 A	<b>BJE8.4</b> (4) 4 poles <b>0299 714.07</b>
	41 A	<b>BJE8.5</b> (4) 5 poles <b>0299 715.00</b>
	41 A	<b>BJE8.10</b> (4) 10 poles <b>0299 720.11</b>
21 Jumper		<b>BJB</b> <b>0199 466.23</b>
22 Pivoting jumper bar	50 A	<b>BJP8</b> <b>0174 448.07</b>
23 Universal jumper bar	50 A	<b>BJDP1</b> (1)(2) spacing 8 <-> spacing 16 <b>0179 623.03</b>
	70 A	<b>BJDP3</b> (1)(2) spacing 8 <-> spacing 12 <b>0179 625.05</b>
	50 A	<b>BJDP5</b> (1)(2) spacing 8 <-> spacing 10 <b>0174 782.26</b>
24 Comb type jumper bar	50 A	<b>PC8</b> (4) 2 poles <b>0116 538.17</b>
	50 A	<b>PC8</b> (4) 10 poles <b>0163 313.24</b>
25 Bridging plug		<b>BP8.A4</b> <b>0173 888.20</b>
26 Protection label		<b>EP6</b> 3 blocks <b>0163 427.17</b>
		<b>EP8</b> 4 blocks <b>0163 428.20</b>
Screw for protection label		<b>VSP6</b> <b>0163 433.15</b>
27 Protection label		<b>EPU6</b> <b>0107 038.25</b>
28 IDC jumper		<b>AD2,5</b> <b>0114 205.20</b>

R See section on markers marking method (1) (2) (7)  
 Note : (1) A circuit separator SC may be required with the use of these accessories. (2) See "Notes". (3) End sections and separators snapped on rails. (4) See section : "Accessories" for other configurations of poles.



M 6/8.1		M 6/8.2		M 6/8.3		M 6/8.4		M 6/8.C		M 6/8.RTS		D 6/8	
Spacing 8 mm - 0,05 (.315")		Spacing 8 mm - 0,05 (.315")		Spacing 8 mm - 0,05 (.315")		Spacing 8 mm - 0,05 (.315")		Spacing 8 mm - 0,05 (.315")		Spacing 8 mm - 0,05 (.315")		Spacing 8 mm - 0,05 (.315")	
Grey  0115 260.03 Green  0105 128.22 Beige V0  0195 260.04 M 6/8 with partition		Grey  0115 218.25 Beige V0  0195 218.26 M 6/8 equipped with a test socket DIA. 2 mm/.079"		Grey  0115 253.20 Beige V0  0195 253.21 M 6/8.1 equipped with a test socket DIA. 3 mm/.12"		Grey  0115 219.26 Beige V0  0195 219.27 M 6/8.1 equipped with a test socket DIA. 4 mm/.16"		Grey  0115 209.05 Beige V0  0195 209.06 M 6/8.1 equipped with a test socket DIA. 2,5 mm/.10" for connector.		Grey  0115 571.17 M 6/8 with blank top marking surface.		Grey  0215 118.25 M 6/8 without central foot, for DIN 3 rail only.	
										see standard M 6/8			
Part numbers		Part numbers		Part numbers		Part numbers		Part numbers		Part numbers		Part numbers	
0118 368.16		0118 368.16		0118 368.16		0118 368.16		0118 368.16		0118 368.16		0118 368.16	
0128 368.10		0128 368.10		0128 368.10		0128 368.10		0128 368.10		0128 368.10		0128 368.10	
0103 126.16		0103 126.16		0103 126.16		0103 126.16		0103 126.16		0103 126.16		0103 126.16	
0103 062.21		0103 062.21		0103 062.21		0103 062.21		0103 062.21		0103 062.21		0103 062.21	
0103 125.15		0103 125.15		0103 125.15		0103 125.15		0103 125.15		0103 125.15		0103 125.15	
0103 312.20		0103 312.20		0103 312.20		0103 312.20		0103 312.20		0103 312.20		0103 312.20	
V0 0198 368.17		V0 0198 368.17		V0 0198 368.17		V0 0198 368.17		V0 0198 368.17		V0 0198 368.17		V0 0198 368.17	
V0 0199 302.07		V0 0199 302.07		V0 0199 302.07		V0 0199 302.07		V0 0199 302.07		V0 0199 302.07		V0 0199 302.07	
V0 0199 305.02		V0 0199 305.02		V0 0199 305.02		V0 0199 305.02		V0 0199 305.02		V0 0199 305.02		V0 0199 305.02	
(3) 0114 776.23		(3) 0114 776.23		(3) 0114 776.23		(3) 0114 776.23		(3) 0114 776.23		(3) 0114 776.23		(3) 0114 776.23	
(3) 0114 777.24		(3) 0114 777.24		(3) 0114 777.24		(3) 0114 777.24		(3) 0114 777.24		(3) 0114 777.24		(3) 0114 777.24	
0113 003.10		0113 003.10		0113 003.10		0113 003.10		0113 003.10		0113 003.10		0113 003.10	
0123 003.12		0123 003.12		0123 003.12		0123 003.12		0123 003.12		0123 003.12		0123 003.12	
V0 0193 003.11		V0 0193 003.11		V0 0193 003.11		V0 0193 003.11		V0 0193 003.11		V0 0193 003.11		V0 0193 003.11	
0118 707.03		0118 707.03		0118 707.03		0118 707.03		0118 707.03		0118 707.03		0118 707.03	
0128 707.05		0128 707.05		0128 707.05		0128 707.05		0128 707.05		0128 707.05		0128 707.05	
V0 0198 707.04		V0 0198 707.04		V0 0198 707.04		V0 0198 707.04		V0 0198 707.04		V0 0198 707.04		V0 0198 707.04	
0114 202.25		0114 202.25		0114 202.25		0114 202.25		0114 202.25		0114 202.25		0114 202.25	
(3) 0114 825.05		(3) 0114 825.05		(3) 0114 825.05		(3) 0114 825.05		(3) 0114 825.05		(3) 0114 825.05		(3) 0114 825.05	
(3) 0103 619.04		(3) 0103 619.04		(3) 0103 619.04		(3) 0103 619.04		(3) 0103 619.04		(3) 0103 619.04		(3) 0103 619.04	
(3) 0103 620.01		(3) 0103 620.01		(3) 0103 620.01		(3) 0103 620.01		(3) 0103 620.01		(3) 0103 620.01		(3) 0103 620.01	
0116 795.11		0116 795.11		0116 795.11		0116 795.11		0116 795.11		0116 795.11		0116 795.11	
V0 0196 795.12		V0 0196 795.12		V0 0196 795.12		V0 0196 795.12		V0 0196 795.12		V0 0196 795.12		V0 0196 795.12	
0187 312.14		0187 312.14		0187 312.14		0187 312.14		0187 312.14		0187 312.14		0187 312.14	
0176 816.12		0176 816.12		0176 816.12		0176 816.12		0176 816.12		0176 816.12		0176 816.12	
0163 043.21												(1) 0163 043.21	
0163 261.00												(1) 0163 261.00	
0163 262.01												(1) 0163 262.01	
0173 060.00		0173 060.00		0173 060.00		0173 060.00		0173 060.00		0173 060.00		0173 060.00	
0007 865.26		0007 865.26						0007 865.26		0007 865.26		0007 865.26	
0167 860.01							0167 860.01					0167 860.01	
(5) 0168 520.05												(1) 0168 520.05	
(5) 0168 521.22												(1) 0168 521.22	
(5) 0168 522.23												(1) 0168 522.23	
(5) 0168 523.24												(1) 0168 523.24	
(5) 0168 974.00												(1) 0168 974.00	
(5) 0176 669.16												(1) 0176 669.16	
(5) 0176 670.13												(1) 0176 670.13	
(5) 0176 671.00												(1) 0176 671.00	
(5) 0176 672.01												(1) 0176 672.01	
(5) 0176 673.02												(1) 0176 673.02	
(5) 0174 789.05												(1) 0174 789.05	
0168 604.16												0168 604.16	
0173 627.21												0173 627.21	
0299 712.05		0299 712.05		0299 712.05		0299 712.05		0299 712.05		0299 712.05		(4) 0299 712.05	
0299 713.06		0299 713.06		0299 713.06		0299 713.06		0299 713.06		0299 713.06		(4) 0299 713.06	
0299 714.07		0299 714.07		0299 714.07		0299 714.07		0299 714.07		0299 714.07		(4) 0299 714.07	
0299 715.00		0299 715.00		0299 715.00		0299 715.00		0299 715.00		0299 715.00		(4) 0299 715.00	
0299 720.11		0299 720.11		0299 720.11		0299 720.11		0299 720.11		0299 720.11		(4) 0299 720.11	
0199 466.23		0199 466.23		0199 466.23		0199 466.23		0199 466.23		0199 466.23		0199 466.23	
(5) 0174 448.07												0174 448.07	
(5)(2) 0179 623.03												(1)(2) 0179 623.03	
(5)(2) 0179 625.05												(1)(2) 0179 625.05	
(5)(2) 0174 782.26												(1)(2) 0174 782.26	
0116 538.17		0116 538.17		0116 538.17		0116 538.17		0116 538.17		0116 538.17		(4) 0116 538.17	
0163 313.24		0163 313.24		0163 313.24		0163 313.24		0163 313.24		0163 313.24		(4) 0163 313.24	
0173 888.20							0173 888.20					0173 888.20	
0163 427.17												0163 427.17	
0163 428.20												0163 428.20	
0163 433.15												0163 433.15	
0107 038.25		0107 038.25		0107 038.25		0107 038.25		0107 038.25		0107 038.25		0107 038.25	
0114 205.20		0114 205.20		0114 205.20		0114 205.20		0114 205.20		0114 205.20		0114 205.20	

The M 6/8.C terminal blocks, equipped with a test socket DIA. 2,5 mm/.10", receive a connector. See Accessories section, pages 1907-1913.

(1) (2)(5) (17) (1) (17) (1) (17) (1) (17) (1) (17) (1) (17) (1) (12) (17)

Note : (2) See "Notes". (3) End sections and separators snapped on rails. (5) Use of these accessories requires the user to cut out the partition.

# Standard terminal blocks

## Compression clamp

DIN 1 - 3



**M 10/10...**

Spacing 10 mm - 0,05 (.394")

Standard 10 mm block **0115 120.17**

Color	Type	Part numbers
<i>Standard blocks</i>		
Grey	<b>M 10/10</b>	<b>0115 120.17</b>
Blue	<b>M 10/10.N</b>	<b>0125 120.11</b>
Yellow	<b>M 10/10</b>	<b>0105 120.26</b>
Beige V0	<b>M 10/10.V0</b>	<b>0195 120.10</b>
Blue V0	<b>M 10/10.N.V0</b>	<b>0199 004.20</b>



### Accessories

Image	Description	Color	Type	Part numbers
1	End section	grey, blue, orange, yellow, green, white, beige, blue, yellow	<b>FEM6</b>	th. 2,8 mm
2	End section	grey	<b>FEM61</b>	(3) th. 3,0 mm
3	End section	grey	<b>FEM6C</b>	(3) th. 3,0 mm
4	Circuit separator	grey, blue, orange, yellow, beige	<b>SCM6</b>	th. 2,8 mm
5	Separator end section	grey, blue, beige	<b>SCF6</b>	th. 3,0 mm
6	Separator end section	grey	<b>SCF61</b>	th. 3,0 mm
7	Separator end section	grey	<b>SCFM6</b>	(3) th. 3,0 mm
8	Separator end section	grey	<b>SCFEX1</b>	(3) th. 2,4 mm
9	Separator end section	grey	<b>SCFEX3</b>	(3) th. 2,4 mm
10	Separator end section (for cover CPV)	grey, beige	<b>SCFCV1-2</b>	th. 3,0 mm
11	Protective cover		<b>CPM</b>	(for FEM6C, SCF6(V0) and SCFM6)
12	Protective cover		<b>CPV1-2</b>	(for SCFCV1-2...)
13	Test socket		<b>AL2</b>	(1) DIA. 2 mm
			<b>AL3</b>	(1) DIA. 3 mm
			<b>AL4</b>	(1) DIA. 4 mm
			<b>FC2</b>	DIA. 2 mm
			<b>FC4</b>	DIA. 4 mm
14	Test plug		<b>BJM10</b>	(1) 2 poles
			<b>BJM10</b>	(1) 3 poles
			<b>BJM10</b>	(1) 4 poles
			<b>BJM10</b>	(1) 5 poles
			<b>BJM10</b>	(1) 10 poles
15	Assembled jumper bar (without IP20 protection)	57 A	<b>BJMI10</b>	(1) 2 poles
		57 A	<b>BJMI10</b>	(1) 3 poles
		57 A	<b>BJMI10</b>	(1) 4 poles
		57 A	<b>BJMI10</b>	(1) 5 poles
		57 A	<b>BJMI10</b>	(1) 10 poles
16	Assembled jumper bar (with IP20 protection)	57 A	<b>BJS10</b>	(1) 20 poles
		57 A	<b>EV6</b>	
17	Jumper bar not assembled Post + screw + washer	70 A	<b>BJP10</b>	
18	Pivoting jumper bar	50 A	<b>BJDP1</b>	(1)(2) spacing 10 <-> spacing 16
19	Universal jumper bar	70 A	<b>BJDP3</b>	(1)(2) spacing 10 <-> spacing 12
20	Comb type jumper bar	70 A	<b>PC10</b>	10 poles
21	Protection label		<b>EP8</b>	3 blocks
			<b>EP10</b>	4 blocks
	Screw for protection label		<b>VSP6</b>	
22	Protection label		<b>EPU6</b>	
23	IDC jumper	24 A	<b>AD2,5</b>	

Test connector : See Accessories section

End stop	th. 9 mm	<b>BADL V0</b>	<b>0199 408.02</b>
End stop	th. 9,1 mm	<b>BAM</b>	<b>0103 002.26</b>
Rail	35 x 7,5 x 1	<b>PR30</b> prepunched	<b>0173 220.05</b>
Rail	35 x 15 x 2,3	<b>PR4</b>	<b>0168 500.12</b>
Rail	35 x 15 x 1,5	<b>PR5</b> prepunched	<b>0101 598.26</b>
Rail	32 x 15 x 1,5	<b>PR1Z2</b>	<b>0163 050.04</b>

Other end stops and rails : See Accessories section

### Characteristics

Wire size				
		IEC	UL	CSA
		NFC DIN		
Compression clamp	Solid wire	0,5-16 mm <sup>2</sup>	22-6 AWG	22-6 AWG
	Stranded wire	0,5-10 mm <sup>2</sup>	22-6 AWG	22-6 AWG
Voltage				
Rated		800 V	600 V	600 V
Pulse		8 kV		
Pollution degree		3		
Current				
Rated		57 A	65 A	70 A
Wire size				
Rated / Gauge		10 mm <sup>2</sup> / B6	6 AWG	6 AWG
Wire stripping length	Recomm. Screwdriver	Recomm. torque	Protection	
12 mm	5,5-6 mm	1,2-1,4 Nm	IP 20	
.47"	.217" - .238"	10.6-12.3 lb.in.	NEMA 1	

### Notes

The use of some accessories may decrease the block's voltage rating. For more information, consult us.

R See section on marking method (11) (12) (17) (26)

Note : (1) A circuit separator **SC** may be required with the use of these accessories.  
 (2) See column : "Various applications".  
 (3) End sections and circuit separators snapped on rails.

M 10/10.1		M 10/10.C		M 10/10.RTS					
Spacing 10 mm - 0,05 (.394")		Spacing 10 mm - 0,05 (.394")		Spacing 10 mm - 0,05 (.394")					
Grey  0115 261.20 Beige V0  0195 261.21		Grey  0115 228.27 Beige V0  0195 228.20		Grey  0115 572.10					
M 10/10 with partition.		M 10/10 equipped with a flexible test socket DIA. 2,5 mm/.10" for connector.		M 10/10 with blank top marking surface.					
Part numbers	Part numbers	Part numbers	Part numbers	Part numbers	Part numbers	Various applications			
0118 368.16	0118 368.16	0118 368.16				  	<p>The M 10/10.C terminal blocks, equipped with a test socket DIA. 2.5 mm/.10", receive a connector. See Accessories section, pages 1907-1913.</p> <p><b>BJDP1</b> permits the interconnection with a terminal block series "M" with 16 mm spacing.</p> <p><b>BJDP3</b> permits the interconnection with a terminal block series "M" with 12 mm spacing.</p>		
0103 312.20	0103 312.20	0103 312.20							
0128 368.10	0128 368.10	0128 368.10							
0103 062.21	0103 062.21	0103 062.21							
0103 125.15	0103 125.15	0103 125.15							
0103 126.16	0103 126.16	0103 126.16							
V0 0198 368.17	V0 0198 368.17	V0 0198 368.17							
V0 0199 302.07	V0 0199 302.07	V0 0199 302.07							
V0 0199 305.02	V0 0199 305.02	V0 0199 305.02							
(3) 0114 776.23	(3) 0114 776.23	(3) 0114 776.23							
(3) 0114 777.24	(3) 0114 777.24	(3) 0114 777.24							
0113 003.10	0113 003.10	0113 003.10							
0123 003.12	0123 003.12	0123 003.12							
0103 020.23	0103 020.23	0103 020.23							
0103 233.21	0103 233.21	0103 233.21							
V0 0193 003.11	V0 0193 003.11	V0 0193 003.11							
0118 707.03	0118 707.03	0118 707.03							
0128 707.05	0128 707.05	0128 707.05							
V0 0198 707.04	V0 0198 707.04	V0 0198 707.04							
0114 202.25	0114 202.25	0114 202.25							
(3) 0114 825.05	(3) 0114 825.05	(3) 0114 825.05							
(3)  0103 619.04	(3)  0103 619.04	(3)  0103 619.04							
(3)  0103 620.01	(3)  0103 620.01	(3)  0103 620.01							
0116 795.11	0116 795.11	0116 795.11							
V0 0196 795.12	V0 0196 795.12	V0 0196 795.12							
0187 312.14	0187 312.14	0187 312.14							
0176 816.12	0176 816.12	0176 816.12							
0163 043.21									
0163 261.00									
0163 262.01									
0007 865.26									
0167 860.01									
(4) 0173 611.21									
(4) 0173 612.22									
(4) 0173 613.23									
(4) 0173 614.24									
(4) 0173 615.25									
(4) 0176 675.04									
(4) 0176 676.05									
(4) 0176 677.06									
(4) 0176 678.17									
(4) 0176 679.10									
(4) 0163 060.06									
0168 604.16									
0174 451.22									
(4)(2) 0179 623.03									
(4)(2) 0179 625.05									
0163 315.26	0163 315.26	0163 315.26							
0163 428.20									
0163 429.21									
0163 433.15									
0107 038.25	0107 038.25	0107 038.25							
0114 205.20	0114 205.20	0114 205.20							

(1) (2)(4) (17) (26) (11) (17) (26) (11) (17) (26)

Note : (2) See column : "Various applications". (3) End sections and circuit separators snapped on rails.  
 (4) Use of these accessories requires the user to cut out the partition.

# Standard terminal blocks

## Compression clamp

DIN 1 - 3

End stop	th. 9 mm	<b>BADL V0</b>	<b>0199 408.02</b>
End stop	th. 9,1 mm	<b>BAM</b>	<b>0103 002.26</b>
Rail	35 x 7,5 x 1	<b>PR30</b> prepunched	<b>0173 220.05</b>
Rail	35 x 15 x 2,3	<b>PR4</b>	<b>0168 500.12</b>
Rail	35 x 15 x 1,5	<b>PR5</b> prepunched	<b>0101 598.26</b>
Rail	32 x 15 x 1,5	<b>PR1Z2</b>	<b>0163 050.04</b>

Other end stops and rails : See Accessories section

### Characteristics

#### Wire size

		IEC		UL	CSA
		NFC	DIN		
Compression clamp	Solid wire	0,5-25 mm <sup>2</sup>		18-4 AWG	18-4 AWG
	Stranded wire	0,5-16 mm <sup>2</sup>		18-4 AWG	18-4 AWG

#### Voltage

	800 V	600 V	600 V
Rated			
Pulse	8 kV		
Pollution degree	3		

#### Current

	85 A	85 A	100 A
Rated			

#### Wire size

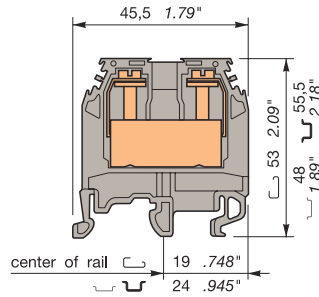
Rated / Gauge	16 mm <sup>2</sup> / B7	4 AWG	4 AWG
Wire stripping length	Recomm. Screwdriver	Recomm. torque	Protection
14 mm	5,5 mm	1,2-1,4 Nm	IP 20
55"	.22"	10.6-12.3 lb.in	NEMA 1

### Notes

The use of some accessories may decrease the block's voltage rating. For more information, consult us.

## M 16/12...

Spacing 12 mm - 0,1 (.473")



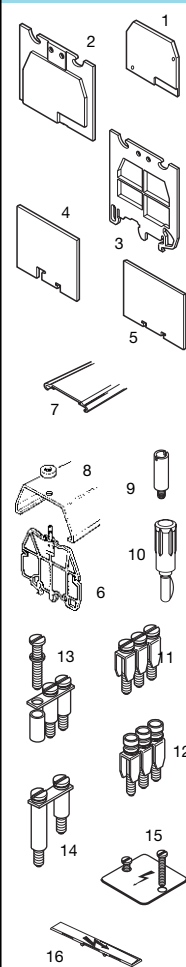
Standard 12 mm block with partition.

0115 129.14

Color	Type	Part numbers
<i>Standard blocks</i>		
Grey	<b>M 16/12</b>	<b>0115 129.14</b>
Blue	<b>M 16/12.N</b>	<b>0125 129.16</b>
Yellow	<b>M 16/12</b>	<b>0105 129.23</b>
Beige V0	<b>M 16/12.V0</b>	<b>0195 129.15</b>
Blue V0	<b>M 16/12.N.V0</b>	<b>0199 005.21</b>



### Accessories



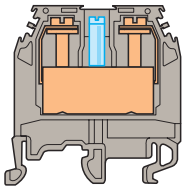
Type	Part numbers
<b>1</b> End section	grey <b>FEM12</b> th. 3,0 mm <b>0118 618.01</b> blue <b>FEM12</b> th. 3,0 mm <b>0128 618.03</b> yellow <b>FEM12</b> th. 3,0 mm <b>0103 065.24</b> beige <b>FEM12 V0</b> V0 th. 3,0 mm <b>0198 618.02</b> blue <b>FEM12 V0</b> V0 th. 3,0 mm <b>0199 303.00</b>
<b>2</b> Separator end section	grey <b>SCF12</b> th. 3,0 mm <b>0113 102.10</b> beige <b>SCF12 V0</b> V0 th. 3,0 mm <b>0193 102.11</b>
<b>3</b> Separator end section	grey <b>SCFM6</b> (1) th. 3,0 mm <b>0114 825.05</b>
<b>4</b> Separator end section	grey <b>SCFEX1</b> (1) th. 2,4 mm <b>0103 619.04</b>
<b>5</b> Separator end section	grey <b>SCFEX3</b> (1) th. 2,4 mm <b>0103 620.01</b>
<b>6</b> Separator end section for cover CPV	grey <b>SCFCV 1.2</b> th. 3,0 mm <b>0116 795.11</b> beige <b>SCFCV 1.2 V0</b> V0 th. 3,0 mm <b>0196 795.12</b>
<b>7</b> Protective cover	<b>CPM</b> (for SCF12..., SCFM6) <b>0187 312.14</b>
<b>8</b> Protective cover	<b>CPV 1.2</b> (for SCFCV1.2...) <b>0176 816.12</b>
<b>9</b> Test socket	<b>AL2</b> DIA. 2,0 mm <b>0163 043.21</b> <b>AL3</b> DIA. 3,0 mm <b>0163 261.00</b> <b>AL4</b> DIA. 4,0 mm <b>0163 262.01</b> <b>FC2</b> DIA. 2,0 mm <b>0007 865.26</b> <b>FC4</b> DIA. 4,0 mm <b>0167 860.01</b>
<b>10</b> Test plug	
<b>11</b> Assembled jumper bar	76 A <b>BJM 12</b> (2) 2 poles <b>0179 618.16</b> 76 A <b>BJM 12</b> (2) 3 poles <b>0179 619.17</b> 76 A <b>BJM 12</b> (2) 4 poles <b>0179 620.14</b> 76 A <b>BJM 12</b> (2) 5 poles <b>0179 621.01</b> 76 A <b>BJM 12</b> (2) 10 poles <b>0179 622.02</b>
<b>12</b> Assembled jumper bar (with IP20 protection)	76 A <b>BJMI 12</b> (2) 2 poles <b>0179 626.06</b> 76 A <b>BJMI 12</b> (2) 3 poles <b>0179 628.10</b> 76 A <b>BJMI 12</b> (2) 4 poles <b>0179 629.11</b> 76 A <b>BJMI 12</b> (2) 5 poles <b>0179 630.16</b> 76 A <b>BJMI 12</b> (2) 10 poles <b>0179 631.03</b>
<b>13</b> Jumper bar not assembled post + screw + washer	57 A <b>BJS 12</b> (2) 20 poles <b>0177 653.07</b> <b>EV12</b> <b>0168 664.11</b>
<b>14</b> Universal jumper bar	95 A <b>BJDP2</b> (2)(3) spacing 12 <-> spacing 16 <b>0179 624.04</b> 70 A <b>BJDP3</b> (2)(3) spacing 12 <-> spacing 6-6,5-8 or 10 <b>0179 625.05</b>
<b>15</b> Protection label	<b>EP10</b> 3 blocks <b>0163 429.21</b> <b>EP12</b> 4 blocks <b>0163 430.26</b> <b>VSP12</b> <b>0163 432.14</b>
Screw for protection label	<b>EPU6</b> <b>0107 038.25</b>
<b>16</b> Protection label	

**R** See section on markers marking method

Note : (1) Separator end sections snapped on rails. (2) Use of these accessories requires the user to cut out the partition. (3) See column : "Various applications". (4) Use 2 labels EPU6 (spacing 12 mm).

**M 16/12.C**

Spacing 12 mm - 0,1 (.473")



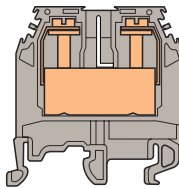
Grey **0115 210.21**

Beige V0 **0195 210.22**

12 mm block equipped with a flexible test socket DIA. 2,5 mm for connector.

**M 16/12.2A.G**

Spacing 12 mm - 0,1 (.473")



Standard 12 mm block with two compression clamp connections, a partition, and a central quick-connect tab. Quick-connect tab: 6.3 x 0.8 mm, series 250 (1/4") 2.5 mm<sup>2</sup> max. (14 AWG)

Color	Type	Part number
Grey	M16/12.2A.G	0115 679.03



Part numbers	Part numbers	Part numbers	Part numbers	Part numbers	Part numbers	Various applications
0118 618.01						<p>The M 16/12.C terminal blocks, equipped with a test socket DIA. 2.5 mm/.10", receive a connector. See Accessories section, pages 1907-1913.</p> <p><b>BJDP2</b> permits the interconnection with a terminal block series "M" spacing 16 mm.</p> <p><b>BJDP3</b> permits the interconnection with a terminal block series "M" spacing 6 - 6,5 - 8 or 10 mm.</p>
0128 618.03						
0103 065.24						
V0 0198 618.02						
V0 0199 303.00						
0113 102.10						
V0 0193 102.11						
(1) 0114 825.05						
(1)  0103 619.04						
(1)  0103 620.01						
0116 795.11						
V0 0196 795.12						
0187 312.14						
0176 816.12						
0107 038.25						

<sup>(1)</sup> <sup>(17)</sup> <sup>(26)</sup>  
 Note : (1) Separator end sections snapped on rails.

## Standard terminal blocks

### Compression clamp

DIN 1 - 3



End stop	th. 9 mm	<b>BADL V0</b>	<b>0199 408.02</b>
End stop	th. 9,1 mm	<b>BAM</b>	<b>0103 002.26</b>
Rail	35 x 7,5 x 1	<b>PR30</b> prepunched	<b>0173 220.05</b>
Rail	35 x 15 x 2,3	<b>PR4</b>	<b>0168 500.12</b>
Rail	35 x 15 x 1,5	<b>PR5</b> prepunched	<b>0101 598.26</b>
Rail	32 x 15 x 1,5	<b>PR1Z2</b>	<b>0163 050.04</b>

Other end stops and rails : See Accessories section

### Notes

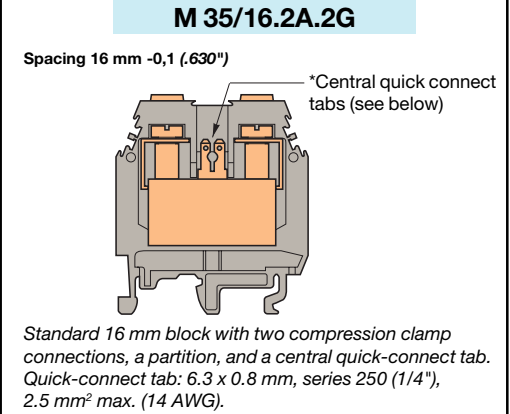
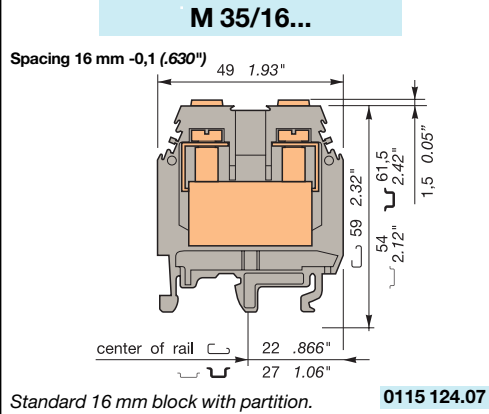
The use of some accessories may decrease the block's voltage rating. For more information, consult us.

**BJDP1** permits the interconnection with a terminal block series "M" spacing 6 or 6,5 or 8 or 10 mm.

**BJDP2** permits the interconnection with a terminal block series "M" spacing 12 mm.

### Accessories

	<b>1</b> End section	grey blue yellow beige blue	
	<b>2</b> Separator end section	grey beige	
	<b>3</b> Separator end section for cover CPV	grey beige	
	<b>4</b> Separator end section	grey	
	<b>5</b> Separator end section	grey	
	<b>6</b> Protective cover		
	<b>7</b> Protective cover		
	<b>8</b> Test socket		
	<b>9</b> Test plug		
	<b>10</b> Assembled jumper bar	125 A 125 A 125 A 125 A 125 A	
	<b>11</b> Jumper bar not assembled	125 A	
	<b>12</b> Universal jumper bar	50 A 95 A	
	<b>13</b> Protection label		
	Screw for protection label		
	<b>14</b> Ground identification		
	<b>R</b> See section on markers marking method		



Color	Type	Part numbers
Grey	<b>M 35/16</b>	<b>0115 124.07</b>
Blue	<b>M 35/16.N</b>	<b>0125 124.01</b>
	<b>M 35/16</b>	<b>0105 124.16</b>
	<b>M 35/16.V0</b>	<b>0195 124.00</b>
	<b>M 35/16.N.V0</b>	<b>0199 006.22</b>

### Characteristics

Wire size	IEC		UL	CSA
	NFC	DIN		
Compression Solid wire	1-50 mm <sup>2</sup>		10-0 AWG	10-0 AWG
clamp Stranded wire	1-35 mm <sup>2</sup>		10-0 AWG	10-0 AWG

### Voltage

Rated	800 V	600 V	600 V
Pulse	8 kV		
Pollution degree	3		

### Current

Rated	125 A	150 A	140 A
-------	-------	-------	-------

### Wire size

Rated / Gauge	35 mm <sup>2</sup> / B9	0 AWG	0 AWG
Wire stripping length	Recomm. Screwdriver	Recomm. torque	Protection
17 mm	6,5-7 mm	2,8-3 Nm	IP20
.669"	.255" - .276"	24.3-26.1 lb.in	NEMA 1

Color	Type	Part numbers
Grey	<b>M 35/16.2A.2G</b>	<b>0115 719.23</b>

### Characteristics

Wire size	IEC		UL	CSA
	NFC	DIN		
Compression Solid wire	1-50 mm <sup>2</sup>		16-0 AWG	16-0 AWG
clamp Stranded wire	1-35 mm <sup>2</sup>		16-2 AWG	16-2 AWG
Quick connect	4 tabs : 2,8 x 0,8 series 110 - 1,5 mm <sup>2</sup> max. 2 tabs : 6,3 x 0,8 series 250 - 2,5 mm <sup>2</sup> max.			

### Voltage

Rated	800 V		
Pulse	8 kV		
Pollution degree	3		

### Current

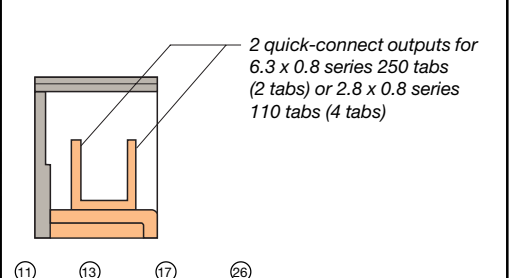
Rated	125 A (4)		
-------	-----------	--	--

### Wire size

Rated / Gauge	35 mm <sup>2</sup> / B9	0 AWG	0 AWG
Wire stripping length	Recomm. Screwdriver	Recomm. torque	Protection
17 mm	6,5-7 mm	2,8-3 Nm	IP20
.669"	.255" - .276"	24.3-26.1 lb.in	NEMA 1

Type	Part numbers
<b>FEM16</b> th. 3,0 mm	<b>0118 233.27</b>
<b>FEM16</b> th. 3,0 mm	<b>0128 233.21</b>
<b>FEM16</b> th. 3,0 mm	<b>0103 061.20</b>
<b>FEM16V0 V0</b> th. 3,0 mm	<b>0198 233.20</b>
<b>FEM16V0 V0</b> th. 3,0 mm	<b>0199 304.01</b>
<b>SCF16</b> th. 3,0 mm	<b>0113 101.17</b>
<b>SCF16.V0 V0</b> th. 3,0 mm	<b>0193 101.10</b>
<b>SCFCV1.2 (1)</b> th. 3,0 mm	<b>0116 795.11</b>
<b>SCFCV1.2 V0 (1)</b> th. 3,0 mm	<b>0196 795.12</b>
<b>SCFEX1 (1)</b> th. 2,4 mm	<b>0103 619.04</b>
<b>SCFEX3 (1)</b> th. 2,4 mm	<b>0103 620.01</b>
<b>CPM</b> (for SCF16...) <b>0187 312.14</b>	
<b>CPV1.2</b> (for SCFCV1.2...) <b>0176 816.12</b>	
<b>AL4</b> DIA. 4,0 mm <b>0168 237.05</b>	
<b>FC2</b> DIA. 2,0 mm <b>0007 865.26</b>	
<b>FC4</b> DIA. 4,0 mm <b>0167 860.01</b>	
<b>BJM16 (2)</b> 2 poles <b>0179 613.01</b>	
<b>BJM16 (2)</b> 3 poles <b>0179 614.02</b>	
<b>BJM16 (2)</b> 4 poles <b>0179 615.03</b>	
<b>BJM16 (2)</b> 5 poles <b>0179 616.04</b>	
<b>BJM16 (2)</b> 10 poles <b>0179 617.05</b>	
<b>BJS16 (2)</b> 10 poles <b>0168 238.16</b>	
<b>EV16</b> <b>0179 627.07</b>	
<b>BJDP1 (2)(3)spacing 16 &lt;-&gt; spacing 6-6,5-8 or 10</b> <b>0179 623.03</b>	
<b>BJDP2 (2)(3)spacing 16 &lt;-&gt; spacing 12</b> <b>0179 624.04</b>	
<b>EP12</b> 3 blocks <b>0163 430.26</b>	
<b>EP16</b> 4 blocks <b>0163 431.13</b>	
<b>VSP16</b> <b>0173 147.20</b>	
<b>IDT16</b> <b>0168 689.13</b>	

### \*Central quick connect tabs



Note : (1) Separator end section snapped on rail.  
 (2) Use of these accessories requires the user to cut out the partition.  
 (3) See column "various applications" on previous pages.  
 (4) Maximum withstand current : 8 A for quick-connect connection for 2,8 x 0,8 mm tabs and 20 A for quick-connect connection for 6,3 x 0,8 mm tabs.

# Standard terminal blocks

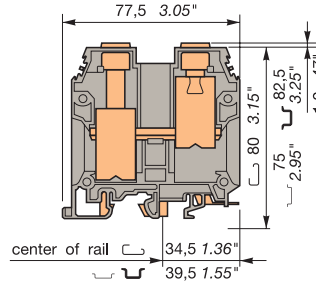
## Compression clamp

DIN 1 - 3



### M 70/22...

Spacing 22 mm -0,1 (.866")



Standard 22 mm block with partition. Tighten clamp with 6 mm Allen Key.



Color	Type	Part numbers
Grey	M 70/22	0115 216.13
Blue	M 70/22.N	0125 216.15
Beige V0	M 70/22.V0	0195 216.14

### Characteristics

Wire size	IEC	UL	CSA
	NFC DIN		
Compression Solid wire	16-95 mm <sup>2</sup>	6-000 AWG	6-000 AWG
clamp Stranded wire	16-70 mm <sup>2</sup>	6-000 AWG	6-000 AWG

### Voltage

Rated	800 V	600 V	600 V
Pulse	8 kV		
Pollution degree	3		

### Current

Rated	192 A	175 A	150 A
-------	-------	-------	-------

### Wire size

Rated / Gauge	70 mm <sup>2</sup> / B11	000 AWG	000 AWG
---------------	--------------------------	---------	---------

Wire stripping length	Recomm. tool	Recomm. torque	Protection
25 mm	6 mm Allen Key	6-7 Nm	IP20
.98"	.236" Allen Key	52-61 lb.in	NEMA 1

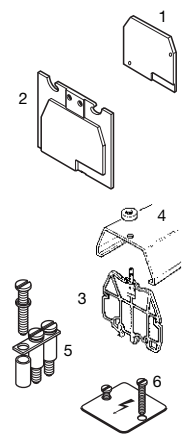
End stop	th. 9,1 mm	<b>BAMH</b>	<b>0114 836.00</b>
End stop	th. 12 mm	<b>BADH</b>	<b>0116 900.27</b>
End stop	th. 12 mm	<b>BAEH</b>	<b>0116 934.04</b>
Rail	35 x 7,5 x 1	<b>PR30</b> prepunched	<b>0173 220.05</b>
Rail	35 x 15 x 2,3	<b>PR4</b>	<b>0168 500.12</b>
Rail	35 x 15 x 1,5	<b>PR5</b> prepunched	<b>0101 598.26</b>
Rail	32 x 15 x 1,5	<b>PR1Z2</b>	<b>0163 050.04</b>

Other end stops and rails : See Accessories section

### Notes

The use of some accessories may decrease the block's voltage rating. For more information, consult us.

### Accessories



Type	Part numbers
1 End section grey	<b>FEM22</b>
yellow	<b>FEM22</b>
beige	<b>FEM22 V0</b> V0
2 Separator end section grey	<b>SCF22</b>
beige	<b>SCF22 V0</b> V0
3 Separator end section grey for cover CPV	<b>SCFCV4</b> (1)
beige	<b>SCFCV4 V0</b> V0 (1)
4 Protective cover	<b>CPV4</b> (for SCFCV4...)
5 Jumper bar not assembled 192 A	<b>BJS22</b> (2)
192 A	<b>BJS22</b> (2)
192 A	<b>BJS22</b> (2)
192 A	<b>BJS22</b> (2)
Screw for BJS	<b>VJS51</b>
Washer for BJS	<b>RDJ51</b>
6 Protection label	<b>EP223</b>
Screw for protection label	<b>EP224</b>
	<b>VSP22</b>



R See section on marking method

Note : (1) End sections and circuit separators snapped on rails.  
(2) Use of these accessories requires the user to cut out the partition.

# Standard terminal blocks

## Compression clamp

DIN 1 - 3



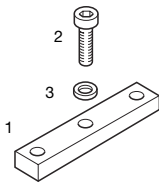
End stop	th. 9,1 mm	<b>BAMH</b>	<b>0114 836.00</b>
End stop	th. 12 mm	<b>BAEH</b>	<b>0116 934.04</b>
End stop	th. 12 mm	<b>BADH</b>	<b>0116 900.27</b>
Rail	35 x 7,5 x 1	<b>PR30</b> prepunched	<b>0173 220.05</b>
Rail	35 x 15 x 2,3	<b>PR4</b>	<b>0168 500.12</b>
Rail	35 x 15 x 1,5	<b>PR5</b> prepunched	<b>0101 598.26</b>
Rail	32 x 15 x 1,5	<b>PR1Z2</b>	<b>0163 050.04</b>

Other end stops and rails : See Accessories section

### Notes

The use of some accessories may decrease the block's voltage rating. For more information, consult us.

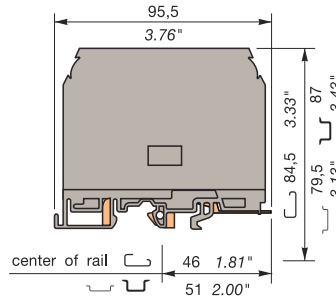
### Accessories



- 1 Jumper bar not assembled 232 A
- 2 Screw CHC M5 for BJS 232 A
- 3 Washer for VSJ 232 A

## M 95/26...

Spacing 26 mm (1.02")



Standard 26 mm block. Delivered with end plate. Tighten clamp with 6 mm Allen Key.



Color	Type	Part numbers
Grey	<b>M 95/26</b>	<b>0115 556.10</b>
Blue	<b>M 95/26.N</b>	<b>0125 556.12</b>
Beige V0	<b>M 95/26.V0</b>	<b>0195 556.11</b>

### Characteristics

Wire size	IEC		UL	CSA
	NFC	DIN		
Compression Solid wire	35-120 mm <sup>2</sup>		4-0000 AWG	4-0000 AWG
clamp Stranded wire	35-95 mm <sup>2</sup>			

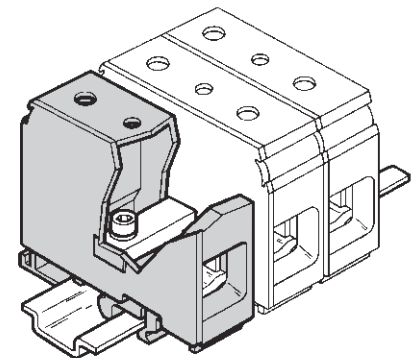
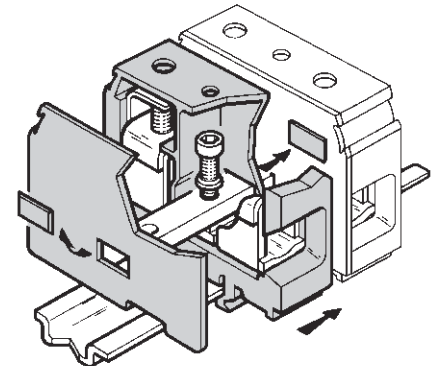
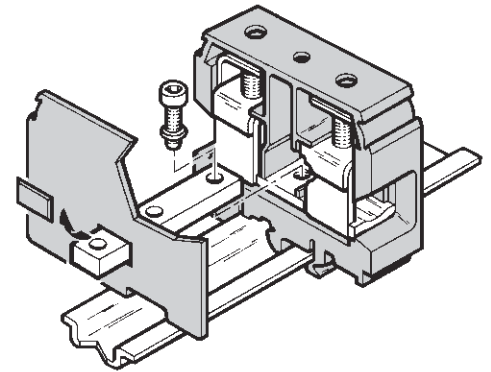
Voltage			
Rated	1000 V	600 V	600 V
Pulse	8 kV		
Pollution degree	3		

Current			
Rated	232 A	230 A	250 A

Wire size			
Rated / Gauge	95 mm <sup>2</sup> / B12	0000 AWG	0000 AWG
Wire stripping length	Recomm. tool	Recomm. torque	Protection
26 mm	6 mm Allen Key	8,5-9,5 Nm	IP 10
1.02"	.236" Allen Key	74-83 lb.in	

Type	Part numbers
<b>BJS261</b> (1) 2 poles	<b>0177 508.07</b>
<b>BJS261</b> (1) 3 poles	<b>0177 509.00</b>
<b>BJS261</b> (1) 5 poles	<b>0177 510.24</b>
<b>BJS261</b> (1) 10 poles	<b>0177 511.11</b>
<b>VSJ51</b>	<b>0173 320.01</b>
<b>RDJ51</b>	<b>0173 331.20</b>

## Installation of jumper bar



R See section on markers marking method

⑪ ⑰ ⑳

Note : (1) Use of these accessories requires the user to cut out the partition.



### Safety connection terminal blocks

Compression clamp  
DIN 1 - 3

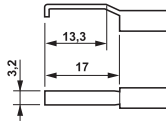


End stop	th. 9 mm	<b>BADL</b>	V0	<b>0199 408.02</b>
End stop	th. 9,1 mm	<b>BAM</b>	V0	<b>0199 306.01</b>
End stop	th. 9,1 mm	<b>BAM</b>	V2	<b>0103 002.26</b>
Other end stops : See Accessories section				
Rail	35 x 7,5 x 1	<b>PR30</b>	prepunched	<b>0173 220.05</b>
Rail	35 x 15 x 2,3	<b>PR4</b>		<b>0168 500.12</b>
Rail	35 x 15 x 1,5	<b>PR5</b>	prepunched	<b>0101 598.26</b>
Rail	32 x 15 x 1,5	<b>PR1Z2</b>		<b>0163 050.04</b>
Other rails : See Accessories section				
Other accessories : See Accessories section				

### Notes

The use of some accessories may decrease the block's voltage rating. For more information, consult us.  
**BJDP4** permits the interconnection with a terminal block M 6/8.RS or M 10/10.RS

Each screw-clamp holds 2 bent lugs, as above (not supplied), for connection of wires :  
0,28 to 1,5 mm<sup>2</sup> / 1 to 2,5 mm<sup>2</sup>



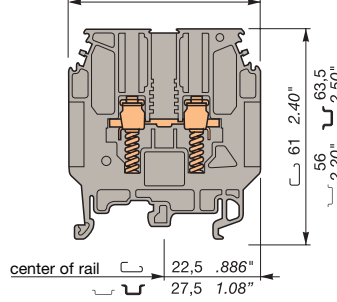
### Accessories

	1 End section	grey beige
	2 Test socket	
	3 Test plug	
	4 Jumper bar not assembled	
	5 Assembled jumper bar (without IP20 protection)	
	6 Assembled jumper bar (with IP20 protection)	
	7 Protection label	
	8 Screw for protection label	
	9 Universal jumper bar 50 A	
	10 IDC jumper	
	11 Bridging plug	

**R** See section on markers marking method

### M 4/6.RS

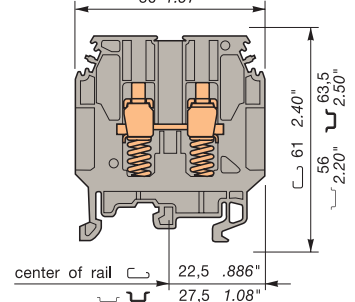
Spacing 6 mm -0,05 (.236") 50 1.97"



Compression clamp terminal for bare wire or equipped with bent lug.

### M 6/8.RS

Spacing 8 mm -0,05 (.315") 50 1.97"



Compression clamp terminal for bare wire or equipped with bent lug.



Color	Type	Part numbers
1 spring under each screw-clamp		
Grey (V2)	<b>M 4/6.RS</b>	<b>0115 930.13</b>
Blue (V2)	<b>M 4/6.N.RS</b>	<b>0125 930.15</b>

Color	Type	Part numbers
1 spring under each screw-clamp		
Grey (V2)	<b>M 6/8.RS</b>	<b>0115 685.12</b>
Beige (V0)	<b>M 6/8.RS V0</b>	<b>0195 685.13</b>

### Characteristics

Wire size	IEC		B.S.	UL/CSA
	NFC	DIN	TS 50-18	in progress
Compression Solid wire	0,2-4 mm <sup>2</sup>			22-12 AWG
clamp Stranded wire	0,22-4 mm <sup>2</sup>			22-12 AWG
Lugs Stranded wire	0,5-1,5 mm <sup>2</sup>		0,28-1,65 mm <sup>2</sup>	

### Characteristics

Wire size	IEC		B.S.	UL/CSA
	NFC	DIN	TS 50-18	
Compression Solid wire	0,5-10 mm <sup>2</sup>			20-12 AWG
clamp Stranded wire	0,5-6 mm <sup>2</sup>			20-12 AWG
Lugs Stranded wire			0,28-2,5 mm <sup>2</sup>	

Voltage			
Rated	1000 V	500 V	600 V
Pulse	8 kV		
Pollution degree	3		
Current			
Rated	32 A	25 A	25 A

Voltage			
Rated	800 V	500 V	600 V
Pulse	8 kV		
Pollution degree	3		
Current			
Rated	41 A	25 A	25 A

Wire size			
Rated / Gauge	4 mm <sup>2</sup> / A3	1,65 mm <sup>2</sup>	12 AWG
Wire strip. length	Recomm. Screwdriver	Recomm. torque	Protection
13 mm	4 mm	0,5-0,8 Nm	IP 20
.51"	.157"	4.4-7.1 lb.in.	NEMA 1

Wire size			
Rated / Gauge	6 mm <sup>2</sup> / A5	2,5 mm <sup>2</sup>	12 AWG
Wire strip. length	Recomm. Screwdriver	Recomm. torque	Protection
13 mm	4-5 mm	0,8-1 Nm	IP 20
.51"	.157"-.197"	7.1-8.9 lb.in.	NEMA 1

Type	Part numbers
<b>FEMR8</b> V2 th. 2,8 mm	<b>0116 987.02</b>
<b>AL2</b> DIA. 2,0 mm	<b>0163 043.21</b>
<b>FC2</b> DIA. 2,0 mm	<b>0007 865.26</b>
<b>BJS6</b> (1) 32 A 2 poles	<b>0164 573.22</b>
<b>BJS6</b> (1) 32 A 3 poles	<b>0164 574.23</b>
<b>BJS6</b> (1) 32 A 4 poles	<b>0164 575.24</b>
<b>BJS6</b> (1) 32 A 5 poles	<b>0164 736.25</b>
<b>BJS6</b> (1) 32 A 10 poles	<b>0164 576.25</b>
<b>BJS6</b> (1) 32 A 20 poles	<b>0174 784.20</b>
<b>EV6</b>	<b>0168 604.16</b>
<b>BJM6</b> (1) 32 A 2 poles	<b>0168 516.25</b>
<b>BJM6</b> (1) 32 A 3 poles	<b>0168 517.26</b>
<b>BJM6</b> (1) 32 A 4 poles	<b>0168 518.07</b>
<b>BJM6</b> (1) 32 A 5 poles	<b>0168 519.00</b>
<b>BJM6</b> (1) 32 A 10 poles	<b>0168 973.07</b>
<b>BJMI6</b> (1) 32 A 2 poles	<b>0176 663.00</b>
<b>BJMI6</b> (1) 32 A 3 poles	<b>0176 664.01</b>
<b>BJMI6</b> (1) 32 A 4 poles	<b>0176 665.02</b>
<b>BJMI6</b> (1) 32 A 5 poles	<b>0176 666.03</b>
<b>BJMI6</b> (1) 32 A 10 poles	<b>0176 667.04</b>
<b>EP6</b> 4 blocks	<b>0163 427.17</b>
<b>VSP68</b> spacing 6 <-> spac. 8 or 10	<b>0206 103.07</b>
<b>BJDP4</b> (2)	<b>0174 781.25</b>

Type	Part numbers
<b>FEMR8</b> V2 th. 2,8 mm	<b>0116 987.02</b>
<b>FEMR8 V0</b> V0 th. 2,8 mm	<b>0196 987.03</b>
<b>AL4</b> DIA. 4,0 mm	<b>0179 762.16</b>
<b>FC4</b> DIA. 4,0 mm	<b>0167 860.01</b>
<b>BJS8</b> (1) 41 A 2 poles	<b>0164 581.13</b>
<b>BJS8</b> (1) 41 A 3 poles	<b>0164 582.14</b>
<b>BJS8</b> (1) 41 A 4 poles	<b>0164 583.15</b>
<b>BJS8</b> (1) 41 A 5 poles	<b>0164 737.26</b>
<b>BJS8</b> (1) 41 A 10 poles	<b>0164 584.16</b>
<b>BJS8</b> (1) 41 A 15 poles	<b>0174 788.04</b>
<b>BJS8</b> (1) 41 A 20 poles	<b>0174 789.05</b>
<b>EV6</b>	<b>0168 604.16</b>
<b>BJM8</b> (1) 41 A 2 poles	<b>0168 520.05</b>
<b>BJM8</b> (1) 41 A 3 poles	<b>0168 521.22</b>
<b>BJM8</b> (1) 41 A 4 poles	<b>0168 522.23</b>
<b>BJM8</b> (1) 41 A 5 poles	<b>0168 523.24</b>
<b>BJM8</b> (1) 41 A 10 poles	<b>0168 974.00</b>
<b>BJMI8</b> (1) 41 A 2 poles	<b>0176 669.16</b>
<b>BJMI8</b> (1) 41 A 3 poles	<b>0176 670.13</b>
<b>BJMI8</b> (1) 41 A 4 poles	<b>0176 671.00</b>
<b>BJMI8</b> (1) 41 A 5 poles	<b>0176 672.01</b>
<b>BJMI8</b> (1) 41 A 10 poles	<b>0176 673.02</b>
<b>EP6</b> 3 blocks	<b>0163 427.17</b>
<b>EP8</b> 4 blocks	<b>0163 428.20</b>
<b>VSP68</b>	<b>0206 103.07</b>
<b>AD 2,5 V2</b> 24 A	<b>0114 205.20</b>
<b>BP8.A4</b>	<b>0173 888.20</b>

(1) Sides of blocks (2) and RCT 610 top of blocks

(17) Sides of blocks (12) and RCT 810 top of blocks

Note : (1) Use of these accessories requires the user to cut out the partition.  
(2) See "Notes".

# Safety connection terminal blocks

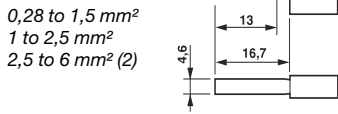
## Compression clamp

☐ ☐ DIN 1 - 3

End stop	th. 9 mm	<b>BADL</b>	V0	<b>0199 408.02</b>
End stop	th. 9,1 mm	<b>BAM</b>	V0	<b>0199 306.01</b>
End stop	th. 9,1 mm	<b>BAM</b>	V2	<b>0103 002.26</b>
<i>Other end stops : See Accessories section</i>				
Rail	35 x 7,5 x 1	<b>PR30</b>	prepunched	<b>0173 220.05</b>
Rail	35 x 15 x 2,3	<b>PR4</b>		<b>0168 500.12</b>
Rail	35 x 15 x 1,5	<b>PR5</b>	prepunched	<b>0101 598.26</b>
Rail	32 x 15 x 1,5	<b>PR1Z2</b>		<b>0163 050.04</b>
<i>Other rails : See Accessories section</i>				
<i>Other accessories : See Accessories section</i>				

### Notes

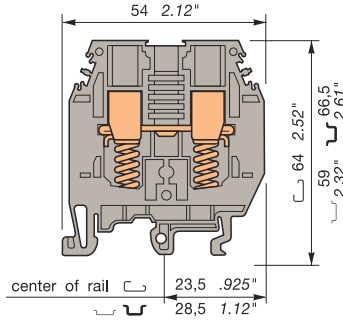
Each screw-clamp holds 2 bent lugs, as above (not supplied), for connection of wires :



The use of some accessories may decrease the block's voltage rating. For more information, consult us.

## M 10/10.RS

Spacing 10 mm -0,05 (.394")



Compression clamp terminal for bare wire or equipped with bent lug.

Color	Type	Part numbers
Grey (V2)	<b>M 10/10.RS</b>	<b>0115 320.27</b>
Beige (V0)	<b>M 10/10.RS V0</b>	<b>0195 320.20</b>

1 spring under each screw-clamp

### Characteristics

Wire size	IEC	UL	CSA
	NFC DIN		
Compression Solid wire	0,5-10 mm <sup>2</sup>	20-6 AWG	20-6 AWG
clamp Stranded wire	0,5-6 mm <sup>2</sup>	20-6 AWG	20-6 AWG
Lugs Stranded wire			

Voltage			
Rated	1000 V	600 V	600 V
Pulse	8 kV		
Pollution degree	3		

Current			
Rated	41 A	65 A	65 A

Wire size			
Rated / Gauge	6 mm <sup>2</sup> / A5	6 AWG	6 AWG
Wire stripping length	Recomm. Screwdriver	Recomm. torque	Protection
14 mm	5,5-6 mm	1,2 - 1,4 Nm	IP 20
.55"	.217"-.236"	10.6 - 12.3 lb.in	NEMA 1

### Accessories

	1 End section	grey beige	<b>FEMR10</b>	V2	th. 2,5 mm	<b>0114 434.05</b>
	2 Test socket		<b>FEMR10 V0</b>	V0	th. 2,5 mm	<b>0194 434.06</b>
	3 Test plug		<b>AL4</b>		DIA. 4,0 mm	<b>0168 237.05</b>
	4 Jumper bar not assembled		<b>FC4</b>		DIA. 4,0 mm	<b>0167 860.01</b>
	Screw + post + washer		<b>BJS10 (1)</b>	57 A	2 poles	<b>0164 585.17</b>
	Central socket for isolated interconnection +		<b>BJS10 (1)</b>	57 A	3 poles	<b>0164 586.10</b>
	Screw for central socket		<b>BJS10 (1)</b>	57 A	4 poles	<b>0164 587.11</b>
	5 Assembled jumper bar (without IP20 protection)		<b>BJS10 (1)</b>	57 A	5 poles	<b>0168 273.11</b>
	6 Assembled jumper bar (with IP20 protection)		<b>BJS10 (1)</b>	57 A	10 poles	<b>0164 588.22</b>
	7 Protection label		<b>BJS10 (1)</b>	57 A	20 poles	<b>0177 654.00</b>
	8 Screw for protection label		<b>PL101</b>			<b>0163 181.11</b>
	9 IDC jumper		<b>VSJ11</b>			<b>0163 394.26</b>
	10 Bridging plug		<b>EP8</b>		3 blocks	<b>0163 428.20</b>
	R See section on markers marking method		<b>EP10</b>		4 blocks	<b>0163 429.21</b>
			<b>VSP68</b>			<b>0206 103.07</b>
			<b>AD 2,5 V2</b>	24 A		<b>0114 205.20</b>

Type	Part numbers
<b>FEMR10</b> V2	th. 2,5 mm <b>0114 434.05</b>
<b>FEMR10 V0</b> V0	th. 2,5 mm <b>0194 434.06</b>
<b>AL4</b>	DIA. 4,0 mm <b>0168 237.05</b>
<b>FC4</b>	DIA. 4,0 mm <b>0167 860.01</b>
<b>BJS10 (1)</b> 57 A	2 poles <b>0164 585.17</b>
<b>BJS10 (1)</b> 57 A	3 poles <b>0164 586.10</b>
<b>BJS10 (1)</b> 57 A	4 poles <b>0164 587.11</b>
<b>BJS10 (1)</b> 57 A	5 poles <b>0168 273.11</b>
<b>BJS10 (1)</b> 57 A	10 poles <b>0164 588.22</b>
<b>BJS10 (1)</b> 57 A	20 poles <b>0177 654.00</b>
<b>PL101</b>	<b>0163 181.11</b>
<b>VSJ11</b>	<b>0163 394.26</b>
<b>EP8</b>	3 blocks <b>0163 428.20</b>
<b>EP10</b>	4 blocks <b>0163 429.21</b>
<b>VSP68</b>	<b>0206 103.07</b>
<b>AD 2,5 V2</b> 24 A	<b>0114 205.20</b>

Note : (1) Use of these accessories requires the user to cut out the partition.  
(2) Only for M 10/10.RS

# Double-deck terminal blocks

## Compression clamp

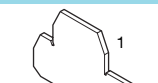


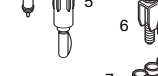



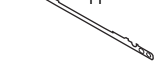



 **DIN 1 - 3**

End stop	th. 9,1 mm	<b>BAMH</b>	<b>0114 836.00</b>
Other end stops : See Accessories section			
Rail	35 x 7,5 x 1	<b>PR30</b> prepunched	<b>0173 220.05</b>
Rail	35 x 15 x 2,3	<b>PR4</b>	<b>0168 500.12</b>
Rail	35 x 15 x 1,5	<b>PR5</b> prepunched	<b>0101 598.26</b>
Rail	32 x 15 x 1,5	<b>PR1Z2</b>	<b>0163 050.04</b>
Other rails : See Accessories section			
Other accessories : See Accessories section			

### Notes

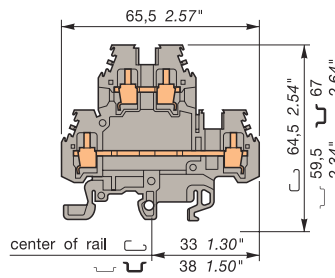
The use of some accessories may decrease the block's voltage rating. For more information, consult us.

### Accessories




	<b>1</b> End section	grey blue beige	
	<b>2</b> Circuit separator	grey	
	<b>3</b> Test socket		
	<b>4</b> Test device		
	<b>5</b> Test plug		
	<b>6</b> Assembled jumper bar	24 A	
	<b>7</b> Assembled jumper bar (with IP 20 protection)	24 A	
	<b>8</b> Jumper bar not assembled	24 A	
	<b>9</b> Comb type jumper bar	30 A	
	Insulating tip		
	<b>10</b> Vertical jumper bar		
	<b>11</b> Shield connector		
	<b>R</b> See section on marking method		

## MA 2,5/5.D2...

Spacing 5 mm +0,08 (.200")



Standard 5 mm block

Color	Type	Part numbers
Grey	 <b>MA 2,5/5.D2</b>	<b>0115 490.13</b>
Blue	 <b>MA 2,5/5.D2.N</b>	<b>0125 490.15</b>
Beige V0	 <b>MA 2,5/5.D2.V0</b>	<b>0195 490.14</b>

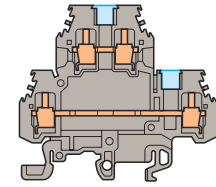
### Characteristics

Wire size	IEC		UL	CSA
	NFC	DIN		
Compression Solid wire	0,2-4 mm <sup>2</sup>		24-12 AWG	24-12 AWG
clamp Stranded wire	0,22-2,5 mm <sup>2</sup>		24-12 AWG	24-12 AWG



Voltage			
Rated	630 V	300 V	300 V
Pulse	8 kV		
Pollution degree	3		
Current			
Rated	24 A	20 A	25 A
Wire size			
Rated / Gauge	2,5 mm <sup>2</sup> / A3	12 AWG	12 AWG
Wire stripping length	Recomm. Screwdriver	Recomm. torque	Protection
9 mm	3,5 mm	0,4-0,6 Nm	IP20
.354"	.138"	3.5-5.3 lb.in	NEMA 1

## MA 2,5/5.D2.1...

Spacing 5 mm +0,08 (.200")



MA 2,5/5.D2 with partition

Color	Type	Part numbers
Grey	 <b>MA 2,5/5.D2.1</b>	<b>0115 491.00</b>
Blue	 <b>MA 2,5/5.D2.1N</b>	<b>0125 491.02</b>

### Characteristics

Wire size	IEC		UL	CSA
	NFC	DIN		
Compression Solid wire	0,2-4 mm <sup>2</sup>		24-12 AWG	24-12 AWG
clamp Stranded wire	0,22-2,5 mm <sup>2</sup>		24-12 AWG	24-12 AWG

Voltage			
Rated	630 V	300 V	300 V
Pulse	8 kV		
Pollution degree	3		
Current			
Rated	24 A	20 A	25 A
Wire size			
Rated / Gauge	2,5 mm <sup>2</sup> / A3	12 AWG	12 AWG
Wire stripping length	Recomm. Screwdriver	Recomm. torque	Protection
9 mm	3,5 mm	0,4-0,6 Nm	IP20
.354"	.138"	3.5-5.3 lb.in	NEMA 1

Type		Part numbers
<b>FEM6D</b>	th. 1,0 mm	<b>0118 499.23</b>
<b>FEM6D</b>	th. 1,0 mm	<b>0128 499.25</b>
<b>FEM6D V0</b> V0	th. 1,0 mm	<b>0198 499.24</b>
<b>SCMA5D</b>	th. 1,0 mm	<b>0116 720.21</b>
<b>AL2</b> (1)	DIA. 2,0 mm	<b>0164 950.00</b>
<b>DCV</b>	green	<b>0173 058.02</b>
<b>FC2</b> (3)	DIA. 2,0 mm	<b>0007 865.26</b>
<b>BJM5D</b> (1)	2 poles	<b>0176 226.22</b>
<b>BJM5D</b> (1)	3 poles	<b>0176 227.23</b>
<b>BJM5D</b> (1)	4 poles	<b>0176 228.04</b>
<b>BJM5D</b> (1)	5 poles	<b>0176 229.05</b>
<b>BJM5D</b> (1)	10 poles	<b>0176 230.02</b>
<b>BJMI5D</b> (1)	2 poles	<b>0176 736.21</b>
<b>BJMI5D</b> (1)	3 poles	<b>0176 737.22</b>
<b>BJMI5D</b> (1)	4 poles	<b>0176 738.03</b>
<b>BJMI5D</b> (1)	5 poles	<b>0176 739.04</b>
<b>BJMI5D</b> (1)	10 poles	<b>0176 740.11</b>
<b>BJS5D</b> (1)	20 poles	<b>0177 651.05</b>
<b>EV5D</b>		<b>0176 260.10</b>
<b>PC5</b>	2 poles	<b>0113 542.10</b>
<b>PC5</b>	10 poles	<b>0113 544.12</b>
<b>EIP</b>		<b>0113 550.24</b>
<b>ITV5</b>		<b>0176 259.13</b>
<b>CBM5D</b>	th. 0,5 mm	<b>0173 530.24</b>

Type		Part numbers
<b>FEM6D</b>	th. 1,0 mm	<b>0118 499.23</b>
<b>FEM6D</b>	th. 1,0 mm	<b>0128 499.25</b>
<b>FEM6D V0</b> V0	th. 1,0 mm	<b>0198 499.24</b>
<b>AL2</b>	DIA. 2,0 mm	<b>0164 950.00</b>
<b>DCV</b>	green	<b>0173 058.02</b>
<b>FC2</b> (3)	DIA. 2,0 mm	<b>0007 865.26</b>
<b>BJM5D</b> (2)	2 poles	<b>0176 226.22</b>
<b>BJM5D</b> (2)	3 poles	<b>0176 227.23</b>
<b>BJM5D</b> (2)	4 poles	<b>0176 228.04</b>
<b>BJM5D</b> (2)	5 poles	<b>0176 229.05</b>
<b>BJM5D</b> (2)	10 poles	<b>0176 230.02</b>
<b>BJMI5D</b> (2)	2 poles	<b>0176 736.21</b>
<b>BJMI5D</b> (2)	3 poles	<b>0176 737.22</b>
<b>BJMI5D</b> (2)	4 poles	<b>0176 738.03</b>
<b>BJMI5D</b> (2)	5 poles	<b>0176 739.04</b>
<b>BJMI5D</b> (2)	10 poles	<b>0176 740.11</b>
<b>BJS5D</b> (2)	20 poles	<b>0177 651.05</b>
<b>EV5D</b>		<b>0176 260.10</b>
<b>PC5</b>	2 poles	<b>0113 542.10</b>
<b>PC5</b>	10 poles	<b>0113 544.12</b>
<b>EIP</b>		<b>0113 550.24</b>
<b>ITV5</b>		<b>0176 259.13</b>
<b>CBM5D</b>	th. 0,5 mm	<b>0173 530.24</b>

(10) Sides of block (12) Top of block

Note : (1) A circuit separator SC may be required with the use of these accessories.  
 (2) Use of these accessories requires the user to cut out the partition.  
 (3) For block equipped with test socket AL2.

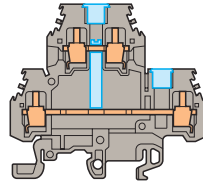
# Double-deck terminal block

## Compression clamp



 **DIN 1 - 3**

### MA 2,5/5.D1.1...

Spacing 5 mm +0,08 (.200")



MA 2,5/5.D2.1 with vertical interconnection and partition on lower deck.

Color	Type	Part numbers
Grey	 <b>MA 2,5/5.D1.1</b>	<b>0115 530.12</b>
Blue	 <b>MA 2,5/5.D1.1N</b>	<b>0125 530.14</b>




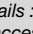
### Characteristics

Wire size	IEC		UL	CSA
	Solid wire	NFC DIN		
Compression clamp	0,2-4 mm <sup>2</sup>	0,22-2,5 mm <sup>2</sup>	24-12 AWG	24-12 AWG

Voltage			
Rated	630 V	300 V	300 V
Pulse	8 kV		
Pollution degree	3		

Current			
Rated	24 A	20 A	25 A

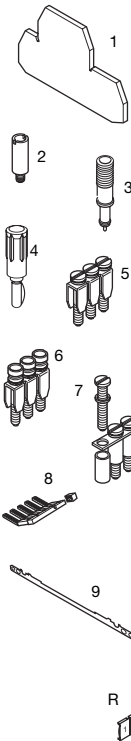
Wire size			
Rated / Gauge	2,5 mm <sup>2</sup> / A3	12 AWG	12 AWG
Wire stripping length	Recomm. Screwdriver	Recomm. torque	Protection
9 mm	3,5 mm	0,4-0,6 Nm	IP20
.354"	.138"	3.5-5.3 lb.in	NEMA 1

End stop	th. 9,1 mm	<b>BAMH</b>	<b>0114 836.00</b>
Other end stops : See Accessories section			
Rail	 35 x 7,5 x 1	<b>PR30</b> prepunched	<b>0173 220.05</b>
Rail	 35 x 15 x 2,3	<b>PR4</b>	<b>0168 500.12</b>
Rail	 35 x 15 x 1,5	<b>PR5</b> prepunched	<b>0101 598.26</b>
Rail	 32 x 15 x 1,5	<b>PR1Z2</b>	<b>0163 050.04</b>
Other rails : See Accessories section			
Other accessories : See Accessories section			

### Notes

The use of some accessories may decrease the block's voltage rating. For more information, consult us.

### Accessories



<b>1</b> End section	grey blue beige	
<b>2</b> Test socket		
<b>3</b> Test device		
<b>4</b> Test plug		
<b>5</b> Assembled jumper bar (without IP 20 protection)	24 A 24 A 24 A 24 A	
<b>6</b> Assembled jumper bar (with IP 20 protection)	24 A 24 A 24 A 24 A	
<b>7</b> Jumper bar not assembled	24 A	
Screw + washer + post		
<b>8</b> Comb type jumper bar	30 A 30 A	
Insulating tip		
<b>9</b> Shield connector		

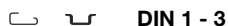
Type	Part numbers
<b>FEM6D</b> th. 1,0 mm	<b>0118 499.23</b>
<b>FEM6D</b> th. 1,0 mm	<b>0128 499.25</b>
<b>FEM6D V0</b> V0 th. 1,0 mm	<b>0198 499.24</b>
<b>AL2</b> (3) DIA. 2,0 mm	<b>0164 950.00</b>
<b>DCV</b> green	<b>0173 058.02</b>
<b>FC2</b> (2) DIA. 2,0 mm	<b>0007 865.26</b>
<b>BJM5D</b> (1)(3) 2 poles	<b>0176 226.22</b>
<b>BJM5D</b> (1)(3) 3 poles	<b>0176 227.23</b>
<b>BJM5D</b> (1)(3) 4 poles	<b>0176 228.04</b>
<b>BJM5D</b> (1)(3) 5 poles	<b>0176 229.05</b>
<b>BJM5D</b> (1)(3) 10 poles	<b>0176 230.02</b>
<b>BJMI5D</b> (1)(3) 2 poles	<b>0176 736.21</b>
<b>BJMI5D</b> (1)(3) 3 poles	<b>0176 737.22</b>
<b>BJMI5D</b> (1)(3) 4 poles	<b>0176 738.03</b>
<b>BJMI5D</b> (1)(3) 5 poles	<b>0176 739.04</b>
<b>BJMI5D</b> (1)(3) 10 poles	<b>0176 740.11</b>
<b>BJS5D</b> (1)(3) 20 poles	<b>0177 651.05</b>
<b>EV5D</b>	<b>0176 260.10</b>
<b>PC5</b> 2 poles	<b>0113 542.10</b>
<b>PC5</b> 10 poles	<b>0113 544.12</b>
<b>EIP</b>	<b>0113 550.24</b>
<b>CBM5D</b> th. 0,5 mm	<b>0173 530.24</b>

**R** See section on markers marking method

(10) Sides of block (12) Top of block  
 Note : (1) Use of these accessories requires the user to cut out the partition.  
 (2) For block equipped with test socket AL2.  
 (3) Only for lower deck.

# Double-deck terminal blocks

## Compression clamp



DIN 1 - 3

End stop	th. 9,1 mm	<b>BAMH</b>	<b>0114 836.00</b>
Other end stops : See Accessories section			
Rail	35 x 7,5 x 1	<b>PR30</b> prepunched	<b>0173 220.05</b>
Rail	35 x 15 x 2,3	<b>PR4</b>	<b>0168 500.12</b>
Rail	35 x 15 x 1,5	<b>PR5</b> prepunched	<b>0101 598.26</b>
Rail	32 x 15 x 1,5	<b>PR1Z2</b>	<b>0163 050.04</b>
Other rails : See Accessories section			
Other accessories : See Accessories section			

### Notes

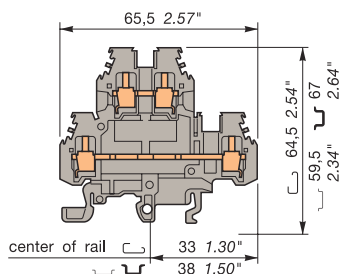
The use of some accessories may decrease the block's voltage rating. For more information, consult us.

### Accessories

	<b>1</b> End section	grey blue beige			
	<b>2</b> Circuit separator	grey beige			
	<b>3</b> Separator end section	grey beige			
	<b>4</b> Test socket				
	<b>5</b> Test device				
	<b>6</b> Test plug				
	<b>7</b> Assembled jumper bar	32 A 32 A (without IP 20 protection) 32 A 32 A			
	Assembled jumper bar (with IP 20 protection)	32 A 32 A 32 A 32 A			
	<b>8</b> Connector plate	35 A			
	<b>9</b> Jumper bar not assembled	32 A			
	Screw + washer + post				
	<b>10</b> Pivoting jumper bar	35 A			
	<b>11</b> Comb type jumper bar	35 A			
	<b>12</b> IDC jumper	24 A			
	<b>13</b> Vertical interconnection				
	<b>14</b> Shield connector				
	<b>R</b> See section on markers marking method				

## M 4/6.D2...

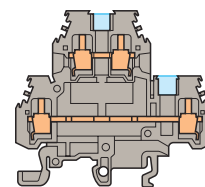
Spacing 6 mm +0,05 (.238")



Standard 6 mm block.

## M 4/6.D2.1...

Pas 6 mm +0,05 (.238")



M 4/6.D2 with partition.



Color	Type	Part numbers	Color	Type	Part numbers
Grey	<b>M 4/6.D2</b>	<b>0115 271.22</b>	Grey	<b>M 4/6.D2.1</b>	<b>0115 126.01</b>
Beige V0	<b>M 4/6.D2.V0</b>	<b>0195 271.23</b>	Blue	<b>M 4/6.D2.1.N</b>	<b>0125 126.03</b>
			Beige V0	<b>M 4/6.D2.1.V0</b>	<b>0195 126.02</b>

### Characteristics

Wire size	IEC		UL	CSA
	NFC	DIN		
Compression Solid wire	0,2-4 mm <sup>2</sup>		24-10 AWG	24-10 AWG
clamp Stranded wire	0,22-4 mm <sup>2</sup>		24-10 AWG	24-10 AWG

### Characteristics

Wire size	IEC		UL	CSA
	NFC	DIN		
Compression Solid wire	0,2-4 mm <sup>2</sup>		24-10 AWG	24-10 AWG
clamp Stranded wire	0,22-4 mm <sup>2</sup>		24-10 AWG	24-10 AWG

Voltage				Voltage			
Rated	800 V	600 V	300 V	Rated	800 V	600 V	300 V
Pulse	8 kV			Pulse	8 kV		
Pollution degree	3			Pollution degree	3		
Current				Current			
Rated	32 A	20 A	25 A	Rated	32 A	20 A	25 A
Wire size				Wire size			
Rated / Gauge	4 mm <sup>2</sup> / A4	10 AWG	10 AWG	Rated / Gauge	4 mm <sup>2</sup> / A4	10 AWG	10 AWG
Wire stripping length	Recomm. Screwdriver	Recomm. torque	Protection	Wire stripping length	Recomm. Screwdriver	Recomm. torque	Protection
8,5 mm	4 mm	0,5-0,8 Nm	IP20	8,5 mm	4 mm	0,5-0,8 Nm	IP20
.33"	.157"	4.4-7 lb.in	NEMA 1	.33"	.157"	4.4-7 lb.in	NEMA 1

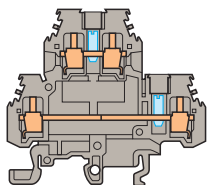
Type	Part numbers		Type	Part numbers	
<b>FEM6D</b>	th. 1,0 mm	<b>0118 499.23</b>	<b>FEM6D</b>	th. 1,0 mm	<b>0118 499.23</b>
<b>FEM6D</b>	th. 1,0 mm	<b>0128 499.25</b>	<b>FEM6D</b>	th. 1,0 mm	<b>0128 499.25</b>
<b>FEM6D V0</b>	th. 1,0 mm	<b>0198 499.24</b>	<b>FEM6D V0</b>	th. 1,0 mm	<b>0198 499.24</b>
<b>SCM6D</b>		<b>0113 482.05</b>	<b>SCM6D</b>		<b>0113 482.05</b>
<b>SCM6D V0</b>		<b>0193 482.06</b>	<b>SCM6D V0</b>		<b>0193 482.06</b>
<b>SCF6D</b>	th. 1,0 mm	<b>0118 495.17</b>	<b>SCF6D</b>	th. 1,0 mm	<b>0118 495.17</b>
<b>SCF6D V0</b>	th. 1,0 mm	<b>0198 495.10</b>	<b>SCF6D V0</b>	th. 1,0 mm	<b>0198 495.10</b>
<b>AL2</b> (1)	DIA. 2,0 mm	<b>0163 070.00</b>	<b>AL2</b>	DIA. 2,0 mm	<b>0163 070.00</b>
<b>AL3</b> (1)	DIA. 3,0 mm	<b>0163 261.00</b>	<b>AL3</b>	DIA. 3,0 mm	<b>0163 261.00</b>
<b>DCG</b>	grey	<b>0163 218.05</b>	<b>DCG</b>	grey	<b>0163 218.05</b>
<b>FC2</b> (3)	DIA. 2,0 mm	<b>0007 865.26</b>	<b>FC2</b> (3)	DIA. 2,0 mm	<b>0007 865.26</b>
<b>BJM6D</b> (1)	2 poles	<b>0173 515.11</b>	<b>BJM6D</b> (2)	2 poles	<b>0173 515.11</b>
<b>BJM6D</b> (1)	3 poles	<b>0173 516.12</b>	<b>BJM6D</b> (2)	3 poles	<b>0173 516.12</b>
<b>BJM6D</b> (1)	4 poles	<b>0173 517.13</b>	<b>BJM6D</b> (2)	4 poles	<b>0173 517.13</b>
<b>BJM6D</b> (1)	5 poles	<b>0173 519.25</b>	<b>BJM6D</b> (2)	5 poles	<b>0173 519.25</b>
<b>BJM6D</b> (1)	10 poles	<b>0173 520.22</b>	<b>BJM6D</b> (2)	10 poles	<b>0173 520.22</b>
<b>BJMI6D</b> (1)	2 poles	<b>0179 668.20</b>	<b>BJMI6D</b> (2)	2 poles	<b>0179 668.20</b>
<b>BJMI6D</b> (1)	3 poles	<b>0179 669.21</b>	<b>BJMI6D</b> (2)	3 poles	<b>0179 669.21</b>
<b>BJMI6D</b> (1)	4 poles	<b>0179 670.26</b>	<b>BJMI6D</b> (2)	4 poles	<b>0179 670.26</b>
<b>BJMI6D</b> (1)	5 poles	<b>0179 671.13</b>	<b>BJMI6D</b> (2)	5 poles	<b>0179 671.13</b>
<b>BJMI6D</b> (1)	10 poles	<b>0179 672.14</b>	<b>BJMI6D</b> (2)	10 poles	<b>0179 672.14</b>
<b>EL6</b>		<b>0173 627.21</b>	<b>EL6</b>		<b>0173 627.21</b>
<b>BJS61</b> (1)(4)	10 poles	<b>0168 485.27</b>	<b>BJS61</b> (2)(4)	10 poles	<b>0168 485.27</b>
<b>EV6D</b>		<b>0168 400.16</b>	<b>EV6D</b>		<b>0168 400.16</b>
<b>BJP61</b>		<b>0167 225.20</b>	<b>BJP61</b>		<b>0167 225.20</b>
<b>PC61</b>	10 poles	<b>0163 311.22</b>	<b>PC61</b>	10 poles	<b>0163 311.22</b>
<b>AD2,5</b>		<b>0114 205.20</b>	<b>AD2,5</b>		<b>0114 205.20</b>
<b>ITV6</b>		<b>0168 962.04</b>	<b>ITV6</b>		<b>0168 962.04</b>
<b>CBM5D</b>	th. 0,5 mm	<b>0173 530.24</b>	<b>CBM5D</b>	th. 0,5 mm	<b>0173 530.24</b>

① Sides of block ② Top of block  
 Note : (1) A circuit separator SC may be required with the use of these accessories. (2) Use of these accessories requires the user to cut out the partition. (3) For block equipped with test socket AL2. (4) See section Accessories for other configuration of poles.

M 4/6.D2.2...

M 4/6.D2.3...

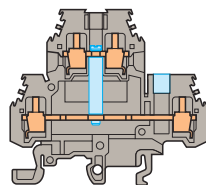
Spacing 6 mm + 0,05 (.238")



M 4/6.D2.1 equipped with 2 test sockets.

M 4/6.D1...

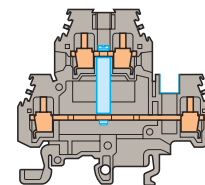
Spacing 6 mm + 0,05 (.238")



M 4/6.D2.1 with vertical interconnection and partition on the lower deck.

M 4/6.D1.1...

Spacing 6 mm + 0,05 (.238")



M 4/6.D1 with no partition on the lower deck.



Color	Type	Part numbers
Grey/Test socket DIA. 2	<b>M 4/6.D2.2</b>	<b>0115 322.15</b>
Beige V0/Test socket DIA. 2	<b>M 4/6.D2.2.V0</b>	<b>0195 322.16</b>
Grey/Test socket DIA. 3	<b>M 4/6.D2.3</b>	<b>0115 269.00</b>

Color	Type	Part numbers
Grey	<b>M 4/6.D1</b>	<b>0115 166.11</b>
Blue	<b>M 4/6.D1.N</b>	<b>0125 166.13</b>
Beige V0	<b>M 4/6.D1.V0</b>	<b>0195 166.12</b>

Color	Type	Part numbers
Grey	<b>M 4/6.D1.1</b>	<b>0115 204.20</b>
Blue	<b>M 4/6.D1.1N</b>	<b>0125 204.22</b>

**Characteristics**

Wire size		IEC	UL	CSA
		NFC DIN		
Compression	Solid wire	0,2-4 mm²	24-10 AWG	24-10 AWG
clamp	Stranded wire	0,22-4 mm²	24-10 AWG	24-10 AWG

**Characteristics**

Wire size		IEC	UL	CSA
		NFC DIN		
Compression	Solid wire	0,2-4 mm²	24-10 AWG	24-10 AWG
clamp	Stranded wire	0,22-4 mm²	24-10 AWG	24-10 AWG

**Characteristics**

Wire size		IEC	UL	CSA
		NFC DIN		
Compression	Solid wire	0,2-4 mm²	24-10 AWG	24-10 AWG
clamp	Stranded wire	0,22-4 mm²	24-10 AWG	24-10 AWG

**Voltage**

Rated	630 V (5)	300 V	300 V
Pulse	8 kV (5)		
Pollution degree	3		

**Voltage**

Rated	800 V	300 V	300 V
Pulse	8 kV		
Pollution degree	3		

**Voltage**

Rated	800 V	300 V	300 V
Pulse	8 kV		
Pollution degree	3		

**Current**

Rated	32 A	20 A	25 A
-------	------	------	------

**Wire size**

Rated / Gauge	4 mm² / A4	10 AWG	10 AWG
---------------	------------	--------	--------

**Current**

Rated	32 A	20 A	25 A
-------	------	------	------

**Wire size**

Rated / Gauge	4 mm² / A4	10 AWG	10 AWG
---------------	------------	--------	--------

**Current**

Rated	32 A	20 A	25 A
-------	------	------	------

**Wire size**

Rated / Gauge	4 mm² / A4	10 AWG	10 AWG
---------------	------------	--------	--------

Wire stripping length	Recomm. Screwdriver	Recomm. torque	Protection
8,5 mm	4 mm	0,5-0,8 Nm	IP20
.33"	.16"	4.4-7 lb.in	NEMA 1

Wire stripping length	Recomm. Screwdriver	Recomm. torque	Protection
8,5 mm	4 mm	0,5-0,8 Nm	IP20
.33"	.16"	4.4-7 lb.in	NEMA 1

Wire stripping length	Recomm. Screwdriver	Recomm. torque	Protection
8,5 mm	4 mm	0,5-0,8 Nm	IP20
.33"	.16"	4.4-7 lb.in	NEMA 1

Type	Part numbers
FEM6D	th. 1,0 mm <b>0118 499.23</b>
FEM6D	th. 1,0 mm <b>0128 499.25</b>
FEM6D V0	V0 th. 1,0 mm <b>0198 499.24</b>
SCM6D	th. 1,0 mm <b>0113 482.05</b>
SCM6D V0	V0 th. 1,0 mm <b>0193 482.06</b>
SCF6D	th. 1,0 mm <b>0118 495.17</b>
SCF6D V0	V0 th. 1,0 mm <b>0198 495.10</b>
DCG	grey <b>0163 218.05</b>
FC2	DIA. 2,0 mm <b>0007 865.26</b>
FC4	DIA. 4,0 mm <b>0167 860.01</b>

Type	Part numbers
FEM6D	th. 1,0 mm <b>0118 499.23</b>
FEM6D	th. 1,0 mm <b>0128 499.25</b>
FEM6D V0	V0 th. 1,0 mm <b>0198 499.24</b>
SCM6D	th. 1,0 mm <b>0113 482.05</b>
SCM6D V0	V0 th. 1,0 mm <b>0193 482.06</b>
SCF6D	th. 1,0 mm <b>0118 495.17</b>
SCF6D V0	V0 th. 1,0 mm <b>0198 495.10</b>
AL2	(6) DIA. 2,0 mm <b>0163 070.00</b>
AL3	(6) DIA. 3,0 mm <b>0163 261.00</b>
DCG	grey <b>0163 218.05</b>
FC2	DIA. 2,0 mm <b>0007 865.26</b>

Type	Part numbers
FEM6D	th. 1,0 mm <b>0118 499.23</b>
FEM6D	th. 1,0 mm <b>0128 499.25</b>
FEM6D V0	V0 th. 1,0 mm <b>0198 499.24</b>
SCM6D	th. 1,0 mm <b>0113 482.05</b>
SCM6D V0	V0 th. 1,0 mm <b>0193 482.06</b>
SCF6D	th. 1,0 mm <b>0118 495.17</b>
SCF6D V0	V0 th. 1,0 mm <b>0198 495.10</b>
AL2	(1) (6) DIA. 2,0 mm <b>0163 070.00</b>
AL3	(1) (6) DIA. 3,0 mm <b>0163 261.00</b>
DCG	grey <b>0163 218.05</b>
FC2	DIA. 2,0 mm <b>0007 865.26</b>

BJM6D	(2) (6) 2 poles	<b>0173 515.11</b>
BJM6D	(2) (6) 3 poles	<b>0173 516.12</b>
BJM6D	(2) (6) 4 poles	<b>0173 517.13</b>
BJM6D	(2) (6) 5 poles	<b>0173 519.25</b>
BJM6D	(2) (6) 10 poles	<b>0173 520.22</b>
BJMI6D	(2) (6) 2 poles	<b>0179 668.20</b>
BJMI6D	(2) (6) 3 poles	<b>0179 669.21</b>
BJMI6D	(2) (6) 4 poles	<b>0179 670.26</b>
BJMI6D	(2) (6) 5 poles	<b>0179 671.13</b>
BJMI6D	(2) (6) 10 poles	<b>0179 672.14</b>
EL6		<b>0173 627.21</b>
BJS61	(2) (4) (6) 10 poles	<b>0168 485.27</b>
EV6D		<b>0168 400.16</b>
BJP61	(6)	<b>0167 225.20</b>
PC61	10 poles	<b>0163 311.22</b>
AD2,5		<b>0114 205.20</b>
CBM5D	th. 0,5 mm	<b>0173 530.24</b>

BJM6D	(1) (6) 2 poles	<b>0173 515.11</b>
BJM6D	(1) (6) 3 poles	<b>0173 516.12</b>
BJM6D	(1) (6) 4 poles	<b>0173 517.13</b>
BJM6D	(1) (6) 5 poles	<b>0173 519.25</b>
BJM6D	(1) (6) 10 poles	<b>0173 520.22</b>
BJMI6D	(1) (6) 2 poles	<b>0179 668.20</b>
BJMI6D	(1) (6) 3 poles	<b>0179 669.21</b>
BJMI6D	(1) (6) 4 poles	<b>0179 670.26</b>
BJMI6D	(1) (6) 5 poles	<b>0179 671.13</b>
BJMI6D	(1) (6) 10 poles	<b>0179 672.14</b>
EL6		<b>0173 627.21</b>
BJS61	(1) (4) (6) 10 poles	<b>0168 485.27</b>
EV6D		<b>0168 400.16</b>
BJP61	(6)	<b>0167 225.20</b>
PC61	10 poles	<b>0163 311.22</b>
AD2,5		<b>0114 205.20</b>
CBM5D	th. 0,5 mm	<b>0173 530.24</b>

PC61	10 poles	<b>0163 311.22</b>
AD2,5		<b>0114 205.20</b>
CBM5D	th. 0,5 mm	<b>0173 530.24</b>

(1) Sides of block (2) Top of block

Note : (1) A circuit separator SC may be required with the use of these accessories. (2) Use of these accessories requires the user to cut out the partition. (4) See section Accessories for other configuration of poles. (5) Only for block M 4/6.D2.2. 200V/2,5 kV for blocks M 4/6.D2.3 and M 4/6.D2.4. (6) These accessories can be used on the lower deck only.

## Double-deck terminal blocks

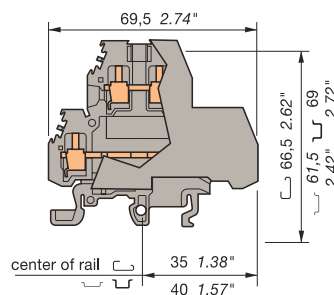
### Compression clamp



DIN 1 - 3

#### M 4/7.D2.1

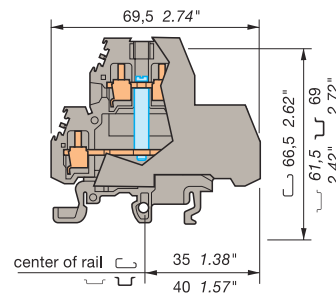
Spacing 7 mm +0,1 (.280")



M 4/6.D2.1 equipped with a partition for 600 V CSA.

#### M 4/7.D1

Spacing 7 mm +0,1 (.280")



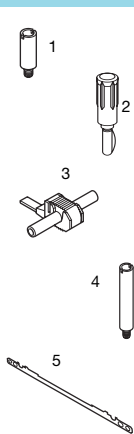
M 4/6.D1 equipped with a partition for 600 V CSA.

End stop	th. 9,1 mm	<b>BAMH</b>	<b>0114 836.00</b>
Other end stops : See Accessories section			
Rail	35 x 7,5 x 1	<b>PR30</b> prepunched	<b>0173 220.05</b>
Rail	35 x 15 x 2,3	<b>PR4</b>	<b>0168 500.12</b>
Rail	35 x 15 x 1,5	<b>PR5</b> prepunched	<b>0101 598.26</b>
Rail	32 x 15 x 1,5	<b>PR1Z2</b>	<b>0163 050.04</b>
Other rails : See Accessories section			
Other accessories : See Accessories section			

### Notes

The use of some accessories may decrease the block's voltage rating. For more information, consult us.

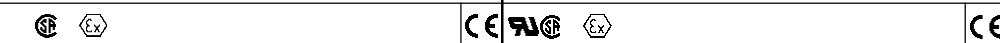
### Accessories



1	Test socket
2	Test plug
3	IDC jumper
4	Vertical interconnection
5	Shield connector



R See section on markers marking method



Color	Type	Part numbers
Grey	<b>M 4/7.D2.1</b>	<b>0115 127.02</b>

Color	Type	Part numbers
Grey	<b>M 4/7.D1</b>	<b>0115 167.12</b>

### Characteristics

Wire size	Wire size		
	IEC	UL	CSA
	NFC DIN		
Compression Solid wire	0,2-4 mm <sup>2</sup>	22-12 AWG	24-12 AWG
clamp Stranded wire	0,22-4 mm <sup>2</sup>	22-12 AWG	24-12 AWG

Voltage			
Rated	800 V	600 V	600 V
Pulse	8 kV		
Pollution degree	3		

Current			
Rated	32 A	20 A	25 A

Wire size			
Rated / Gauge	4 mm <sup>2</sup> / A4	12 AWG	12 AWG
Wire stripping length	Recomm. Screwdriver	Recomm. torque	Protection
8,5 mm	4 mm	0,5-0,8 Nm	IP20
.33"	.16"	4.4-7.1 lb.in	NEMA 1

### Characteristics

Wire size	Wire size		
	IEC	UL	CSA
	NFC DIN		
Compression Solid wire	0,2-4 mm <sup>2</sup>	22-12 AWG	24-12 AWG
clamp Stranded wire	0,22-4 mm <sup>2</sup>	22-12 AWG	24-12 AWG

Voltage			
Rated	800 V	600 V	600 V
Pulse	8 kV		
Pollution degree	3		

Current			
Rated	32 A	20 A	25 A

Wire size			
Rated / Gauge	4 mm <sup>2</sup> / A4	12 AWG	12 AWG
Wire stripping length	Recomm. Screwdriver	Recomm. torque	Protection
8,5 mm	4 mm	0,5-0,8 Nm	IP20
.33"	.16"	4.4-7.1 lb.in	NEMA 1

Type	Part numbers
<b>AL2</b>	DIA. 2 mm <b>0163 070.00</b>
<b>AL3</b>	DIA. 3 mm <b>0163 261.00</b>
<b>FC2</b> (1)	DIA. 2 mm <b>0007 865.26</b>
<b>AD2,5</b>	<b>0114 205.20</b>
<b>ITV6</b>	<b>0168 962.04</b>
<b>CBM5D</b>	th. 0,5 mm <b>0173 530.24</b>

Type	Part numbers
<b>AL2</b> (2)	DIA. 2 mm <b>0163 070.00</b>
<b>AL3</b> (2)	DIA. 3 mm <b>0163 261.00</b>
<b>FC2</b> (1)	DIA. 2 mm <b>0007 865.26</b>
<b>AD2,5</b>	<b>0114 205.20</b>
<b>ITV6</b>	delivered with the block
<b>CBM5D</b>	th. 0,5 mm <b>0173 530.24</b>

① Sides of block

Note : (1) For block equipped with AL2.

(2) These accessories can be used on the lower deck only.

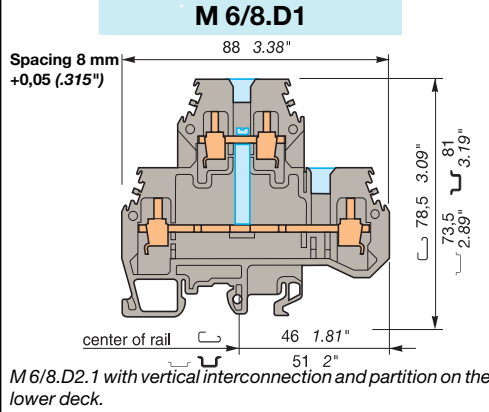
① Sides of block






# Double-deck terminal blocks

Compression clamp  
 DIN 1 - 3



Color	Type	Part numbers
Grey	 M 6/8.D1	0115 498.17



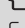
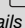
## Characteristics

Wire size	IEC		UL	CSA
	NFC	DIN		
Compression Solid wire	0,5-10 mm <sup>2</sup>		24-8 AWG	24-8 AWG
clamp Stranded wire	0,5-6 mm <sup>2</sup>		24-8 AWG	24-8 AWG

Voltage			
Rated	800 V	600 V	600 V
Pulse	8 kV		
Pollution degree	3		

Current			
Rated	41 A	50 A	45 A

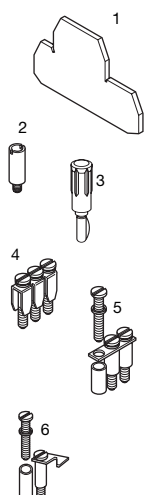
Wire size			
Rated / Gauge	6 mm <sup>2</sup> / A5	8 AWG	8 AWG
Wire stripping length	Recomm. Screwdriver	Recomm. torque	Protection
12 mm	4-5 mm	0,8-1 Nm	IP 20
.47"	.157"-.197"	7.1-8.9 lb.in	NEMA 1

- End stop th. 9,1 mm **BAMH** 0114 836.00
- Other end stops : See Accessories section
- Rail  35 x 7,5 x 1 **PR30** prepunched 0173 220.05
- Rail  35 x 15 x 2,3 **PR4** 0168 500.12
- Rail  35 x 15 x 1,5 **PR5** prepunched 0101 598.26
- Rail  32 x 15 x 1,5 **PR1Z2** 0163 050.04
- Other rails : See Accessories section
- Other accessories : See Accessories section

## Notes

The use of some accessories may decrease the block's voltage rating. For more information, consult us.

## Accessories



	Type	Part numbers
1 End section	grey	<b>FEM8D1</b>
	grey	<b>FEM8D2</b>
2 Test socket		<b>AL2</b> (1) DIA. 2 mm
		<b>AL3</b> (1) DIA. 3 mm
		<b>AL4</b> (1) DIA. 4 mm
3 Test plug		<b>FC2</b> DIA. 2 mm
		<b>FC4</b> DIA. 4 mm
4 Assembled jumper bar	41 A	<b>BJM8</b> (1) (2) 2 poles
	41 A	<b>BJM8</b> (1) (2) 3 poles
(without IP20 protection)	41 A	<b>BJM8</b> (1) (2) 4 poles
	41 A	<b>BJM8</b> (1) (2) 5 poles
	41 A	<b>BJM8</b> (1) (2) 10 poles
Assembled jumper bar	41 A	<b>BJMI8</b> (1) (2) 2 poles
(with IP20 protection)	41 A	<b>BJMI8</b> (1) (2) 3 poles
	41 A	<b>BJMI8</b> (1) (2) 4 poles
	41 A	<b>BJMI8</b> (1) (2) 5 poles
	41 A	<b>BJMI8</b> (1) (2) 10 poles
5 Jumper bar not assembled	41 A	<b>BJS8</b> (1)(2)(3) 20 poles
6 Pivoting jumper bar	50 A	<b>BJP82</b>



R See section on marking method

Type	Part numbers
FEM8D1	th. 1 mm 0116 656.25
FEM8D2	th. 4 mm 0116 657.26
AL2 (1)	DIA. 2 mm 0163 043.21
AL3 (1)	DIA. 3 mm 0163 261.00
AL4 (1)	DIA. 4 mm 0163 262.01
FC2	DIA. 2 mm 0007 865.25
FC4	DIA. 4 mm 0167 860.01
BJM8 (1) (2)	2 poles 0168 520.05
BJM8 (1) (2)	3 poles 0168 521.22
BJM8 (1) (2)	4 poles 0168 522.23
BJM8 (1) (2)	5 poles 0168 523.24
BJM8 (1) (2)	10 poles 0168 974.00
BJMI8 (1) (2)	2 poles 0176 669.16
BJMI8 (1) (2)	3 poles 0176 670.13
BJMI8 (1) (2)	4 poles 0176 671.00
BJMI8 (1) (2)	5 poles 0176 672.01
BJMI8 (1) (2)	10 poles 0176 673.02
BJS8 (1)(2)(3)	20 poles 0174 789.05
BJP82	0163 169.04

(1) (2) Sides of block

Note : (1) These accessories can be used on the lower deck only. (2) Use of these accessories requires the user to cut out the partition. (3) See section Accessories for other configuration of poles.

# Triple-deck terminal blocks



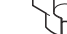

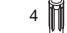


## Compression clamp

 DIN 3

End stop	th. 12 mm	<b>BADH</b> V2	<b>0116 900.27</b>
End stop	th. 9,1 mm	<b>BAMH</b> V0	<b>0194 836.01</b>
End stop	th. 9,1 mm	<b>BAMH</b> V2	<b>0114 836.00</b>
Other end stops : see Accessories section			
Rail	35 x 7,5 x 1	<b>PR3G2</b>	<b>0164 800.03</b>
Rail	35 x 7,5 x 1	<b>PR3Z2</b>	<b>0174 300.17</b>
Rail	35 x 7,5 x 1	<b>PR30</b> prepunched	<b>0173 220.05</b>
Rail	35 x 15 x 2,3	<b>PR4</b>	<b>0168 500.12</b>
Rail	35 x 15 x 1,5	<b>PR5</b> prepunched	<b>0101 598.26</b>
Other rails : see Accessories section			
Other accessories : see Accessories section			

### Notes

### Accessories

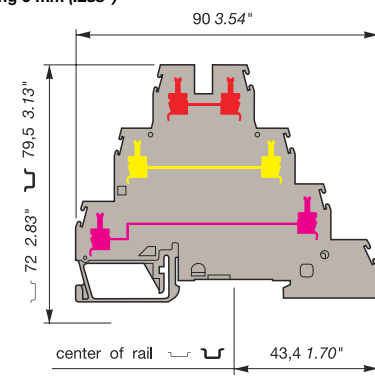
	1 End section	
	2 Circuit separator	white
	3 Test socket	
	4 Test plug	
	5 Assembled jumper bar	32A
	6 Comb type jumper bar	32A
	7 IDC jumper	24A



**R** See section on markers marking method

### D 4/6.T3

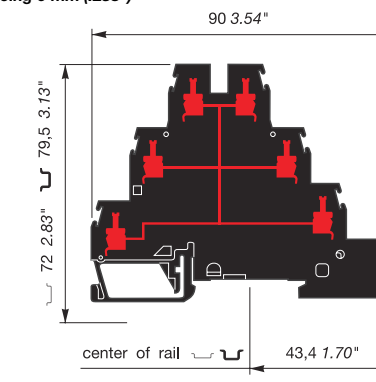
Spacing 6 mm (.238")



Standard 6 mm block.


### D 4/6.T1


Spacing 6 mm (.238")



D4/6.T3 with vertical interconnection.



Color	Type	Part numbers
3 "feed-through" circuits		
Grey V0	 <b>D 4/6.T3</b>	<b>0299 683.01</b>

Color	Type	Part numbers
6 interconnected clamps		
Isolated from ground		
Black V0	 <b>D 4/6.T1</b>	<b>0199 219.03</b>

### Characteristics

Wire size	IEC		UL	CSA
	NFC	DIN		
Compression Solid wire	0,2-4 mm <sup>2</sup>		24-10 AWG	24-10 AWG
clamp Stranded wire	0,22-4 mm <sup>2</sup>		24-10 AWG	24-10 AWG

### Characteristics

Wire size	IEC		UL	CSA
	NFC	DIN		
Compression Solid wire	0,2-4 mm <sup>2</sup>		24-10 AWG	24-10 AWG
clamp Stranded wire	0,22-4 mm <sup>2</sup>		24-10 AWG	24-10 AWG

Voltage			
Rated	500 V	300 V	300 V
Pulse	6 kV		
Pollution degree	3		
Current			
Rated	32 A	20 A	20 A
Wire size			
Rated/gauge	4 mm <sup>2</sup> / A4	10 AWG	10 AWG
Wire stripping length	Recommended screwdriver	Recommended torque	Protection
9,5 mm .37"	4 mm .16"	0,5-0,8 Nm 4.4-7 lb.in	IP 20 NEMA 1

Voltage			
Rated	500 V	300 V	300 V
Pulse	6 kV		
Pollution degree	3		
Current			
Rated	32 A	20 A	20 A
Wire size			
Rated/gauge	4 mm <sup>2</sup> / A4	10 AWG	10 AWG
Wire stripping length	Recommended screwdriver	Recommended torque	Protection
9,5 mm .37"	4 mm .16"	0,5-0,8 Nm 4.4-7 lb.in	IP 20 NEMA 1

Type	Part numbers
No end section needed : closed block	
<b>SCD</b> (3) V2	<b>0103 189.26</b>
<b>AL2</b> (2) (3)	<b>0167 319.06</b>
<b>FC2</b> (1) (3)	<b>0007 865.26</b>
<b>BJM62</b> (3)	2 poles <b>0173 217.26</b>
<b>BJM62</b> (3)	3 poles <b>0173 218.07</b>
<b>BJM62</b> (3)	4 poles <b>0173 219.00</b>
<b>BJM62</b> (3)	5 poles <b>0173 221.22</b>
<b>BJM62</b> (3)	6 poles <b>0174 112.16</b>
<b>BJM62</b> (3)	7 poles <b>0174 113.17</b>
<b>BJM62</b> (3)	8 poles <b>0174 114.10</b>
<b>BJM62</b> (3)	9 poles <b>0174 115.11</b>
<b>BJM62</b> (3)	10 poles <b>0173 226.27</b>
<b>PC61</b>	10 poles <b>0163 311.22</b>
<b>AD2,5</b> V2	<b>0114 205.20</b>

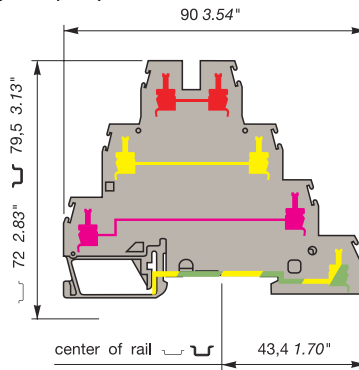
Type	Part numbers
No end section needed : closed block	
<b>PC61</b>	10 poles <b>0163 311.22</b>
<b>AD2,5</b> V2	<b>0114 205.20</b>

⑤ Note : RC65 blank (white, red, blue) (1) For block equipped with AL2. (2) A circuit separator **SCD** is required with the use of these accessories. (3) Only for upper deck.

**Triple-deck terminal blocks + ground protection**  
**Compression clamp**  
 **DIN 3**

**D 4/6.T3.P**

Spacing 6 mm (.238")



Standard 6 mm block + ground protection.



Color	Type	Part numbers
Grey V0	<b>D 4/6.T3.P</b>	<b>0299 684.02</b>

**Characteristics**

**Wire size**

		IEC		UL	CSA
		NFC	DIN		
Compression clamp	Solid wire	0,2-4 mm <sup>2</sup>		24-10 AWG	24-10 AWG
	Stranded wire	0,22-4 mm <sup>2</sup>		24-10 AWG	24-10 AWG

**Voltage**

Rated	500 V	300 V	300 V
Pulse	6 kV		
Pollution degree	3		

**Current**

Rated / Short circuit	32A - 480A/1s	20 A	20 A
-----------------------	---------------	------	------

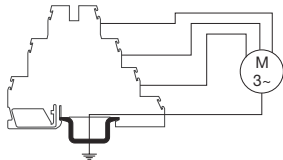
**Wire size**

Rated/gauge	4 mm <sup>2</sup> / A4	10 AWG	10 AWG
Wire stripping length	Recommended screwdriver	Recommended torque	Protection
9,5 mm .37 "	4 mm .16 "	0,5-0,8 Nm 4,4-7 lb.in	IP 20 NEMA 1

End stop	th. 12 mm	<b>BADH</b> V2	<b>0116 900.27</b>
End stop	th. 9,1 mm	<b>BAMH</b> V0	<b>0194 836.01</b>
End stop	th. 9,1 mm	<b>BAMH</b> V2	<b>0114 836.00</b>
<i>Other end stops : see Accessories section</i>			
Rail	35 x 7,5 x 1	<b>PR3G2</b>	<b>0164 800.03</b>
Rail	35 x 7,5 x 1	<b>PR3Z2</b>	<b>0174 300.17</b>
Rail	35 x 7,5 x 1	<b>PR30</b> prepunched	<b>0173 220.05</b>
Rail	35 x 15 x 2,3	<b>PR4</b>	<b>0168 500.12</b>
Rail	35 x 15 x 1,5	<b>PR5</b> prepunched	<b>0101 598.26</b>
<i>Other rails : see Accessories section</i>			
<i>Other accessories : see Accessories section</i>			







**Notes**

Block for three phase motor supply



or for connection of 4 wire sensors.

**Accessories**

	<b>1</b> End section		
	<b>2</b> Circuit separator	white	
	<b>3</b> Test socket		
	<b>4</b> Test plug		
	<b>5</b> Assembled jumper bar	32A	
		32A	
		32A	
		32A	
		32A	
		32A	
		32A	
		32A	
	<b>6</b> Comb type jumper bar		
	<b>7</b> IDC jumper	24A	

Type	Part numbers
No end section needed : closed block	
<b>SCD</b> (3) V2	<b>0103 189.26</b>
<b>AL2</b> (2) (3)	DIA. 2,0 mm <b>0167 319.06</b>
<b>FC2</b> (1) (3)	DIA. 2,0 mm <b>0007 865.26</b>
<b>BJM62</b> (3)	2 poles <b>0173 217.26</b>
<b>BJM62</b> (3)	3 poles <b>0173 218.07</b>
<b>BJM62</b> (3)	4 poles <b>0173 219.00</b>
<b>BJM62</b> (3)	5 poles <b>0173 221.22</b>
<b>BJM62</b> (3)	6 poles <b>0174 112.16</b>
<b>BJM62</b> (3)	7 poles <b>0174 113.17</b>
<b>BJM62</b> (3)	8 poles <b>0174 114.10</b>
<b>BJM62</b> (3)	9 poles <b>0174 115.11</b>
<b>BJM62</b> (3)	10 poles <b>0173 226.27</b>
<b>PC61</b>	10 poles <b>0163 311.22</b>
<b>AD2,5</b> V2	<b>0114 205.20</b>



**R** See section on markers marking method

Ⓢ Note : RC65 blank (white, red, blue)  
 (1) For block equipped with AL2. (2) A circuit separator **SCD** is required with the use of these accessories.  
 (3) Only for upper deck.

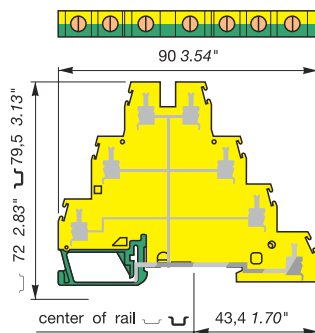
### Triple-deck terminal blocks + ground protection

Compression clamp



### D 4/6.P.T1

Spacing 6 mm (.238")



Ground terminal block to be used with D4/6.T...

End stop	th. 12 mm	BADH V2	0116 900.27
End stop	th. 9,1 mm	BAMH V0	0194 836.01
End stop	th. 9,1 mm	BAMH V2	0114 836.00
Other end stops : see Accessories section			
Rail	35 x 7,5 x 1	PR3G2	0164 800.03
Rail	35 x 7,5 x 1	PR3Z2	0174 300.17
Rail	35 x 7,5 x 1	PR30 prepunched	0173 220.05
Rail	35 x 15 x 2,3	PR4	0168 500.12
Rail	35 x 15 x 1,5	PR5 prepunched	0101 598.26
Other rails : see Accessories section			
Other accessories : see Accessories section			

### Notes

In this block, all circuits are connected to the mounting rail.

	CE
--	----

Color	Type	Part numbers
Green/yellow V0	D 4/6.P.T1	0199 220.00

7 clamps electrically grounded to the mounting rail

### Characteristics

Wire size	IEC		UL	CSA
	NFC	DIN		
Compression Solid wire	0,2-4 mm <sup>2</sup>		24-10 AWG	24-10 AWG
clamp Stranded wire	0,22-4 mm <sup>2</sup>		24-10 AWG	24-10 AWG

Voltage			
Rated			
Pulse			
Pollution degree			
Current			
Rated / Short circuit	480 A/1s		
Wire size			
Rated/gauge	4 mm <sup>2</sup> / A4	10 AWG	10 AWG
Wire stripping length	Recommended screwdriver	Recommended torque	Protection
9,5 mm .37 "	4 mm .16 "	0,5-0,8 Nm 4,4-7 lb.in	IP 20 NEMA 1

### Accessories

Type	Part numbers
------	--------------

- 1 End section
- 2 Comb type jumper bar
- 3 IDC jumper 24A

No end section needed : closed block	
PC61 10 poles	0163 311.22
AD2,5 V2	0114 205.20






R See section on markers marking method

RC65	blank (white, red, blue)
------	--------------------------

### Three level sensor terminal blocks without ground connection

Compression clamp

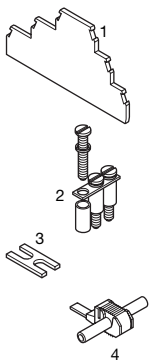
 DIN 3

End stop	th. 9,1 mm	<b>BAMH</b>	<b>0114 836.00</b>
<i>Other end stops : See Accessories section</i>			
Rail	 35 x 7,5 x 1	<b>PR30</b> prepunched	<b>0173 220.05</b>
Rail	 35 x 15 x 2,3	<b>PR4</b>	<b>0168 500.12</b>
Rail	 35 x 15 x 1,5	<b>PR5</b> prepunched	<b>0101 598.26</b>
<i>Other rails : See Accessories section</i>			
<i>Other accessories : See Accessories section</i>			

#### Notes

The use of some accessories may decrease the block's voltage rating. For more information, consult us.

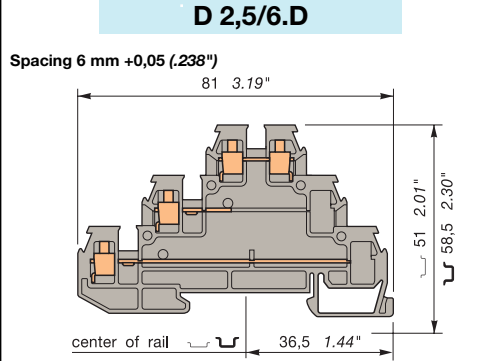
#### Accessories



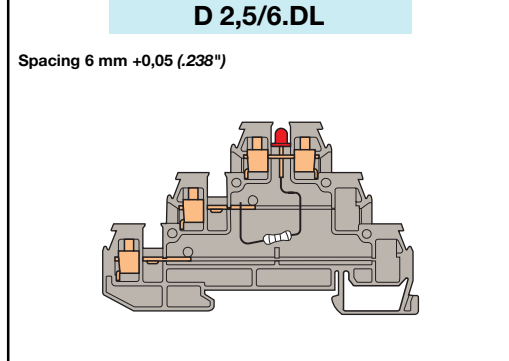
<b>1</b> End section	grey	<b>FED3E</b>	th. 3,0 mm	<b>0116 771.20</b>
<b>2</b> Assembled jumper bar	22 A	<b>BJD6</b>	2 poles	<b>0178 024.25</b>
	22 A	<b>BJD6</b>	3 poles	<b>0178 025.26</b>
	22 A	<b>BJD6</b>	4 poles	<b>0178 026.27</b>
	22 A	<b>BJD6</b>	5 poles	<b>0178 027.20</b>
	22 A	<b>BJD6</b>	10 poles	<b>0178 032.25</b>
	22 A	<b>BJD6</b>	20 poles	<b>0178 033.26</b>
<b>3</b> Connector plate	22 A	<b>EL61</b>		<b>0177 812.17</b>
<b>4</b> IDC jumper	24 A	<b>AD2,5</b>		<b>0114 205.20</b>



**R** See section on markers marking method




Three level block for sensor



Three level block for sensor with LED indication between middle and upper level (red 24V=)

					
---	---	---	---	---	---

Color	Type	Part numbers
Grey	 <b>D 2,5/6.D</b>	<b>0115 542.12</b>

		
---	---	---

Color	Type	Part numbers
Grey	 <b>D 2,5/6.DL</b>	<b>0115 537.05</b>

#### Characteristics

Wire size	Wire size		
	NFC DIN	UL	CSA
Compression Solid wire	0,2-2,5 mm <sup>2</sup>	24-12 AWG	24-12 AWG
clamp Stranded wire	0,22-2,5 mm <sup>2</sup>	24-12 AWG	24-12 AWG

#### Characteristics

Wire size	Wire size		
	NFC DIN	UL	CSA
Compression Solid wire	0,2-2,5 mm <sup>2</sup>	20-12 AWG	22-14 AWG
clamp Stranded wire	0,22-2,5 mm <sup>2</sup>	20-12 AWG	22-14 AWG

#### Voltage

Rated	380 V Gr.C	300 V	300 V
-------	------------	-------	-------

#### Voltage

Rated	380 V Gr.C	300 V (1)	300 V (1)
-------	------------	-----------	-----------

#### Pulse

Pulse			
-------	--	--	--

#### Pulse

Pulse			
-------	--	--	--

#### Pollution degree

Pollution degree			
------------------	--	--	--

#### Pollution degree

Pollution degree			
------------------	--	--	--

#### Current

Rated	22 A	20 A	20 A
-------	------	------	------

#### Current

Rated	22 A	20 A	20 A
-------	------	------	------

#### Wire size

Rated / Gauge	2,5 mm <sup>2</sup>	12 AWG	12 AWG
---------------	---------------------	--------	--------

#### Wire size

Rated / Gauge	2,5 mm <sup>2</sup>	12 AWG	14 AWG
---------------	---------------------	--------	--------

#### Wire stripping length

Wire stripping length	Recomm. Screwdriver	Recomm. torque	Protection
-----------------------	---------------------	----------------	------------

6 mm	3,5 mm	0,4-0,6 Nm	IP20
------	--------	------------	------

.24"	.138"	3.5-5.3 lb.in	NEMA 1
------	-------	---------------	--------

#### Wire stripping length

Wire stripping length	Recomm. Screwdriver	Recomm. torque	Protection
-----------------------	---------------------	----------------	------------

6 mm	3,5 mm	0,4-0,6 Nm	IP20
------	--------	------------	------

.24"	.138"	3.5-5.3 lb.in	NEMA 1
------	-------	---------------	--------

#### Signal



#### Signal



#### LED

LED			
-----	--	--	--

#### LED

LED			
-----	--	--	--

#### Part numbers

<b>RC65</b>	red - blank	<b>0103 776.01</b>
<b>RC65</b>	blue - blank	<b>0103 775.00</b>

#### Part numbers

<b>RC65</b>	red - blank	<b>0103 776.01</b>
<b>RC65</b>	blue - blank	<b>0103 775.00</b>

Note : (1) 24 VDC on LED circuit.

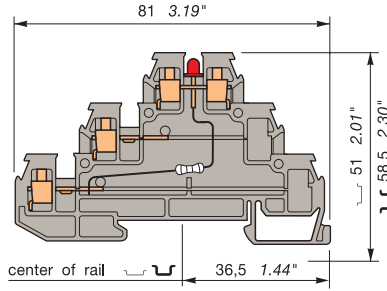
# Three level sensor terminal blocks without ground connection

Compression clamp


 DIN 3

## D 2,5/6.DL1

Spacing 6 mm + 0,05 (.238")



Three level block for sensor with LED indication between lower and upper level (red 24V=)

Color	Type	Part numbers
Grey	 D 2,5/6.DL1	0115 538.16




### Characteristics

Wire size	Wire size		
	NFC DIN	UL	CSA
Compression Solid wire	0,2-2,5 mm <sup>2</sup>	20-12 AWG	22-14 AWG
clamp Stranded wire	0,22-2,5 mm <sup>2</sup>	20-12 AWG	22-14 AWG

Voltage			
Rated	380 V Gr.C	300 V (1)	300 V (1)
Pulse			
Pollution degree			

Current			
Rated	22 A	20 A	20 A

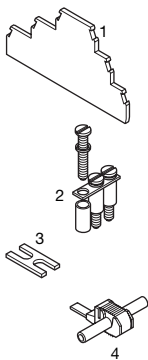
Wire size			
Rated / Gauge	2,5 mm <sup>2</sup>	12 AWG	14 AWG
Wire stripping length	Recomm. Screwdriver	Recomm. torque	Protection
6 mm	3,5 mm	0,4-0,6 Nm	IP20
.24"	0.138"	3.5-5.3 lb.in	NEMA 1

End stop	th. 9,1 mm	<b>BAMH</b>	<b>0114 836.00</b>
<i>Other end stops : See Accessories section</i>			
Rail	 35 x 7,5 x 1	<b>PR30</b> prepunched	<b>0173 220.05</b>
Rail	 35 x 15 x 2,3	<b>PR4</b>	<b>0168 500.12</b>
Rail	 35 x 15 x 1,5	<b>PR5</b> prepunched	<b>0101 598.26</b>
<i>Other rails : See Accessories section</i>			
<i>Other accessories : See Accessories section</i>			

### Notes

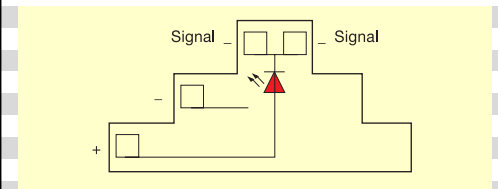
The use of some accessories may decrease the block's voltage rating. For more information, consult us.

### Accessories



1 End section	grey	<b>FED3E</b>	th. 3,0 mm	<b>0116 771.20</b>
2 Assembled jumper bar	22 A	<b>BJD6</b>	2 poles	<b>0178 024.25</b>
22 A	22 A	<b>BJD6</b>	3 poles	<b>0178 025.26</b>
(without IP20 protection)	22 A	<b>BJD6</b>	4 poles	<b>0178 026.27</b>
22 A	22 A	<b>BJD6</b>	5 poles	<b>0178 027.20</b>
22 A	22 A	<b>BJD6</b>	10 poles	<b>0178 032.25</b>
22 A	22 A	<b>BJD6</b>	20 poles	<b>0178 033.26</b>
3 Connector plate	22 A	<b>EL61</b>		<b>0177 812.17</b>
4 IDC jumper	24 A	<b>AD2,5</b>		<b>0114 205.20</b>

Type	Part numbers
<b>FED3E</b>	th. 3,0 mm <b>0116 771.20</b>
<b>BJD6</b>	2 poles <b>0178 024.25</b>
<b>BJD6</b>	3 poles <b>0178 025.26</b>
<b>BJD6</b>	4 poles <b>0178 026.27</b>
<b>BJD6</b>	5 poles <b>0178 027.20</b>
<b>BJD6</b>	10 poles <b>0178 032.25</b>
<b>BJD6</b>	20 poles <b>0178 033.26</b>
<b>EL61</b>	<b>0177 812.17</b>
<b>AD2,5</b>	<b>0114 205.20</b>



R See section on markers marking method

⑤ <b>RC65</b>	red - blank	<b>0103 776.01</b>
<b>RC65</b>	blue - blank	<b>0103 775.00</b>
Note : (1) 24 V DC on LED circuit.		

### Three level sensor terminal blocks without ground connection

Compression clamp

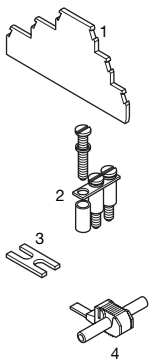
 DIN 3

End stop	th. 9,1 mm	<b>BAMH</b>	<b>0114 836.00</b>
<i>Other end stops : See Accessories section</i>			
Rail	35 x 7,5 x 1	<b>PR30</b> prepunched	<b>0173 220.05</b>
Rail	35 x 15 x 2,3	<b>PR4</b>	<b>0168 500.12</b>
Rail	35 x 15 x 1,5	<b>PR5</b> prepunched	<b>0101 598.26</b>
<i>Other rails : See Accessories section</i>			
<i>Other accessories : See Accessories section</i>			

#### Notes

The use of some accessories may decrease the block's voltage rating. For more information, consult us.

#### Accessories



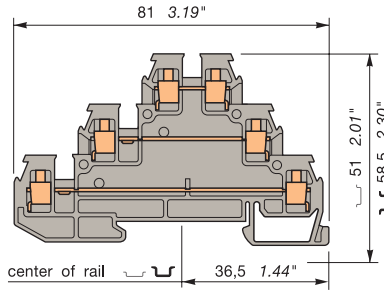
<b>1</b> End section	grey
<b>2</b> Assembled jumper bar	22 A
jumper bar (without IP20 protection)	22 A
<b>3</b> Connector plate	22 A
<b>4</b> IDC jumper	24 A



**R** See section on markers marking method

#### D 2,5/6.DA

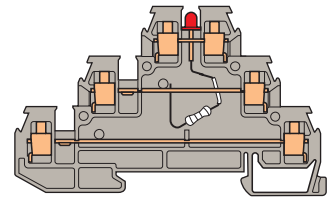
Spacing 6 mm + 0,05 (.238")




Three level block for power


#### D 2,5/6.DAL

Spacing 6 mm + 0,05 (.238")



Three level sensor block with LED indicator between upper and middle level (red 24V=)

Color	Type	Part numbers
Grey	 <b>D 2,5/6.DA</b>	<b>0115 541.11</b>

Color	Type	Part numbers
Grey	 <b>D 2,5/6.DAL</b>	<b>0115 535.03</b>

#### Characteristics

Wire size

	NFC DIN	UL	CSA
Compression Solid wire	0,2-2,5 mm <sup>2</sup>	20-12 AWG	22-14 AWG
clamp Stranded wire	0,22-2,5 mm <sup>2</sup>	20-12 AWG	22-14 AWG

Voltage

Rated	380 V Gr.C	300 V	300 V
-------	------------	-------	-------

Current

Rated	22 A	20 A	20 A
-------	------	------	------

Wire size

Rated / Gauge	2,5 mm <sup>2</sup>	12 AWG	14 AWG
Wire stripping length	Recomm. Screwdriver 3,5 mm	Recomm. torque 0,4-0,6 Nm	Protection IP20
	.138"	3.5-5.3 lb.in	NEMA 1

#### Characteristics

Wire size

	NFC DIN	UL	CSA
Compression Solid wire	0,2-2,5 mm <sup>2</sup>	20-12 AWG	22-14 AWG
clamp Stranded wire	0,22-2,5 mm <sup>2</sup>	20-12 AWG	22-14 AWG

Voltage

Rated	380 V Gr.C	300 V (1)	300 V (1)
-------	------------	-----------	-----------

Current

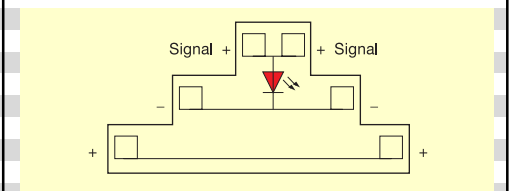
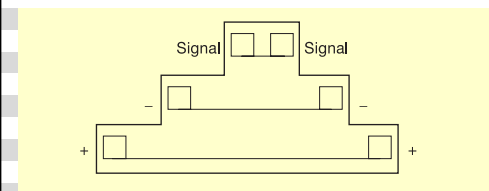
Rated	22 A	20 A	20 A
-------	------	------	------

Wire size

Rated / Gauge	2,5 mm <sup>2</sup>	12 AWG	14 AWG
Wire stripping length	Recomm. Screwdriver 3,5 mm	Recomm. torque 0,4-0,6 Nm	Protection IP20
	.138"	3.5-5.3 lb.in	NEMA 1

Type	Part numbers
<b>FED3E</b> th. 3,0 mm	<b>0116 771.20</b>
<b>BJD6</b> 2 poles	<b>0178 024.25</b>
<b>BJD6</b> 3 poles	<b>0178 025.26</b>
<b>BJD6</b> 4 poles	<b>0178 026.27</b>
<b>BJD6</b> 5 poles	<b>0178 027.20</b>
<b>BJD6</b> 10 poles	<b>0178 032.25</b>
<b>BJD6</b> 20 poles	<b>0178 033.26</b>
<b>EL61</b>	<b>0177 812.17</b>
<b>AD2,5</b>	<b>0114 205.20</b>

Type	Part numbers
<b>FED3E</b> th. 3,0 mm	<b>0116 771.20</b>
<b>BJD6</b> 2 poles	<b>0178 024.25</b>
<b>BJD6</b> 3 poles	<b>0178 025.26</b>
<b>BJD6</b> 4 poles	<b>0178 026.27</b>
<b>BJD6</b> 5 poles	<b>0178 027.20</b>
<b>BJD6</b> 10 poles	<b>0178 032.25</b>
<b>BJD6</b> 20 poles	<b>0178 033.26</b>
<b>EL61</b>	<b>0177 812.17</b>
<b>AD2,5</b>	<b>0114 205.20</b>



<b>RC65</b> red - blank	<b>0103 776.01</b>
<b>RC65</b> blue - blank	<b>0103 775.00</b>

<b>RC65</b> red - blank	<b>0103 776.01</b>
<b>RC65</b> blue - blank	<b>0103 775.00</b>

Note : (1) 24 V DC on LED circuit.

### Three level sensor terminal blocks without ground connection

Compression clamp

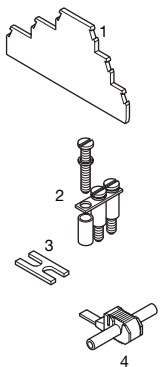
DIN 3

End stop th. 9,1 mm **BAMH** 0114 836.00  
 Other end stops : See Accessories section  
 Rail 35 x 7,5 x 1 **PR30** prepunched 0173 220.05  
 Rail 35 x 15 x 2,3 **PR4** 0168 500.12  
 Rail 35 x 15 x 1,5 **PR5** prepunched 0101 598.26  
 Other rails : See Accessories section  
 Other accessories : See Accessories section

#### Notes

The use of some accessories may decrease the block's voltage rating. For more information, consult us.

#### Accessories



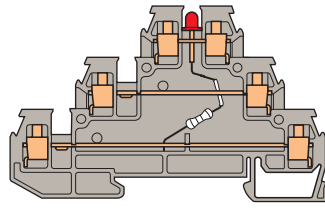
1 End section	grey
2 Assembled jumper bar	22 A
2 Assembled jumper bar (without IP20 protection)	22 A
3 Connector plate	22 A
4 IDC jumper	24 A



R See section on markers marking method

#### D 2,5/6.DAL1

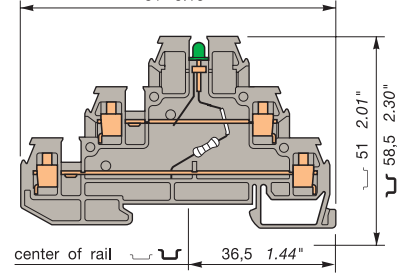
Spacing 6 mm +0,05 (.238")



Three level block with LED indicator between upper and lower level (red 24V=)

#### D 2,5/6.DAL2

Spacing 6 mm +0,05 (.238")



Three level block with LED indicator between lower levels (green 24V=)



Color	Type	Part numbers
Grey	D 2,5/6.DAL1	0115 536.04



Color	Type	Part numbers
Grey	D 2,5/6.DAL2	0115 547.17

#### Characteristics

Wire size	Wire size		
	NFC DIN	UL	CSA
Compression Solid wire	0,2-2,5 mm <sup>2</sup>	20-12 AWG	22-14 AWG
	0,22-2,5 mm <sup>2</sup>	20-12 AWG	22-14 AWG
clamp Stranded wire	0,22-2,5 mm <sup>2</sup>	20-12 AWG	22-14 AWG

#### Voltage

Rated	380 V Gr.C	300 V (1)	300 V (1)
-------	------------	-----------	-----------

#### Current

Rated	22 A	20 A	20 A
-------	------	------	------

#### Wire size

Rated / Gauge	2,5 mm <sup>2</sup>	12 AWG	14 AWG
---------------	---------------------	--------	--------

#### Wire stripping length

6 mm	3,5 mm	0,4-0,6 Nm	IP20
.24"	.138"	3.5-5.3 lb.in	NEMA 1

#### Characteristics

Wire size	Wire size		
	NFC DIN	UL	CSA
Compression Solid wire	0,2-2,5 mm <sup>2</sup>	20-12 AWG	22-14 AWG
	0,22-2,5 mm <sup>2</sup>	20-12 AWG	22-14 AWG
clamp Stranded wire	0,22-2,5 mm <sup>2</sup>	20-12 AWG	22-14 AWG

#### Voltage

Rated	380 V Gr.C	300 V (1)	300 V (1)
-------	------------	-----------	-----------

#### Current

Rated	22 A	20 A	20 A
-------	------	------	------

#### Wire size

Rated / Gauge	2,5 mm <sup>2</sup>	12 AWG	14 AWG
---------------	---------------------	--------	--------

#### Wire stripping length

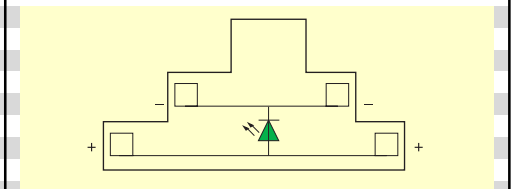
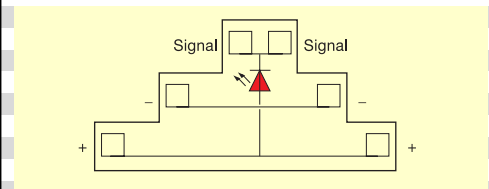
6 mm	3,5 mm	0,4-0,6 Nm	IP20
.24"	.138"	3.5-5.3 lb.in	NEMA 1

#### Accessories

Type	Part numbers
FED3E th. 3,0 mm	0116 771.20
BJD6 2 poles	0178 024.25
BJD6 3 poles	0178 025.26
BJD6 4 poles	0178 026.27
BJD6 5 poles	0178 027.20
BJD6 10 poles	0178 032.25
BJD6 20 poles	0178 033.26
EL61	0177 812.17
AD2,5	0114 205.20

#### Accessories

Type	Part numbers
FED3E th. 3,0 mm	0116 771.20
BJD6 2 poles	0178 024.25
BJD6 3 poles	0178 025.26
BJD6 4 poles	0178 026.27
BJD6 5 poles	0178 027.20
BJD6 10 poles	0178 032.25
BJD6 20 poles	0178 033.26
EL61	0177 812.17
AD2,5	0114 205.20



Type	Part numbers
RC65 red - blank	0103 776.01
RC65 blue - blank	0103 775.00

Note : (1) 24 V DC on LED circuit.

Type	Part numbers
RC65 red - blank	0103 776.01
RC65 blue - blank	0103 775.00



# Three level sensor terminal blocks with ground connection

Compression clamp

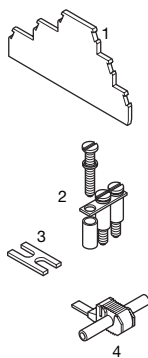
DIN 3

End stop	th. 9,1 mm	<b>BAMH</b>	<b>0114 836.00</b>
Other end stops : See Accessories section			
Rail	35 x 7,5 x 1	<b>PR30</b> prepunched	<b>0173 220.05</b>
Rail	35 x 15 x 2,3	<b>PR4</b>	<b>0168 500.12</b>
Rail	35 x 15 x 1,5	<b>PR5</b> prepunched	<b>0101 598.26</b>
Other rails : See Accessories section			
Other accessories : See Accessories section			

## Notes

The use of some accessories may decrease the block's voltage rating. For more information, consult us.

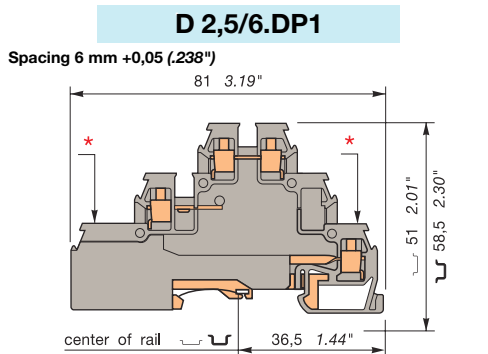
## Accessories



<b>1</b> End section	grey	<b>FED3E</b>	th. 3,0 mm	<b>0116 771.20</b>
<b>2</b> Assembled jumper bar (without IP20 protection)	22 A	<b>BJD6</b>	2 poles	<b>0178 024.25</b>
	22 A	<b>BJD6</b>	3 poles	<b>0178 025.26</b>
	22 A	<b>BJD6</b>	4 poles	<b>0178 026.27</b>
	22 A	<b>BJD6</b>	5 poles	<b>0178 027.20</b>
	22 A	<b>BJD6</b>	10 poles	<b>0178 032.25</b>
	22 A	<b>BJD6</b>	20 poles	<b>0178 033.26</b>
<b>3</b> Connector plate	22 A	<b>EL61</b>		<b>0177 812.17</b>
<b>4</b> IDC jumper	24 A	<b>AD2,5</b>		<b>0114 205.20</b>

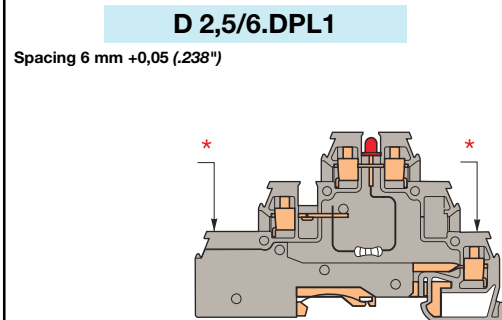


R See section on markers marking method



Three level block for sensor with ground on lower level.

\* Green/yellow marking on lower deck



Three level block for input with ground and LED indicator between upper and middle level (red 24V=).

\* Green/yellow marking on lower deck



Color	Type	Part numbers
Grey	<b>D 2,5/6.DP1</b>	<b>0115 645.21</b>



Color	Type	Part numbers
Grey	<b>D 2,5/6.DPL1</b>	<b>0115 644.20</b>

## Characteristics

		NFC DIN	UL	CSA
Compression clamp	Solid wire	0,2-2,5 mm <sup>2</sup>	20-12 AWG	22-14 AWG
	Stranded	0,22-2,5 mm <sup>2</sup>	20-12 AWG	22-14 AWG
wire				

Voltage			
Rated	380 V Gr.C	300 V	300 V
Pulse			
Pollution degree			

Current				
Rated	Short circuit	22 A	300A/1s	20 A
				20 A

Wire size			
Rated / Gauge	2,5 mm <sup>2</sup>	12 AWG	14 AWG
Wire stripping length	Recomm. Screwdriver	Recomm. torque	Protection
6 mm	3,5 mm	0,4-0,6 Nm	IP20
.24"	.138"	3.5-5.3 lb.in	NEMA 1

## Characteristics

		NFC DIN	UL	CSA
Compression clamp	Solid wire	0,2-2,5 mm <sup>2</sup>	20-12 AWG	22-14 AWG
	Stranded	0,22-2,5 mm <sup>2</sup>	20-12 AWG	22-14 AWG
wire				

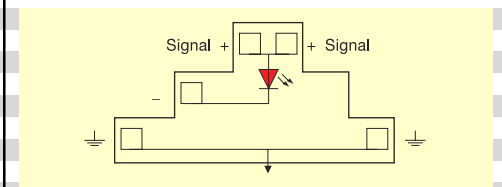
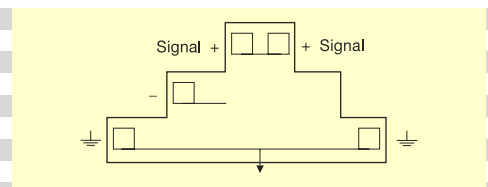
Voltage			
Rated	380 V Gr.C	300 V (1)	300 V (1)
Pulse			
Pollution degree			

Current				
Rated	Short circuit	22 A	300A/1s	20 A
				20 A

Wire size			
Rated / Gauge	2,5 mm <sup>2</sup>	12 AWG	14 AWG
Wire stripping length	Recomm. Screwdriver	Recomm. torque	Protection
6 mm	3,5 mm	0,4-0,6 Nm	IP20
.24"	.138"	3.5-5.3 lb.in	NEMA 1

Type	Part numbers
<b>FED3E</b>	<b>0116 771.20</b>
<b>BJD6</b>	<b>0178 024.25</b>
<b>BJD6</b>	<b>0178 025.26</b>
<b>BJD6</b>	<b>0178 026.27</b>
<b>BJD6</b>	<b>0178 027.20</b>
<b>BJD6</b>	<b>0178 032.25</b>
<b>BJD6</b>	<b>0178 033.26</b>
<b>EL61</b>	<b>0177 812.17</b>
<b>AD2,5</b>	<b>0114 205.20</b>

Type	Part numbers
<b>FED3E</b>	<b>0116 771.20</b>
<b>BJD6</b>	<b>0178 024.25</b>
<b>BJD6</b>	<b>0178 025.26</b>
<b>BJD6</b>	<b>0178 026.27</b>
<b>BJD6</b>	<b>0178 027.20</b>
<b>BJD6</b>	<b>0178 032.25</b>
<b>BJD6</b>	<b>0178 033.26</b>
<b>EL61</b>	<b>0177 812.17</b>
<b>AD2,5</b>	<b>0114 205.20</b>



Type	Part numbers
<b>RC65</b> red - blank	<b>0103 776.01</b>
<b>RC65</b> blue - blank	<b>0103 775.00</b>

Type	Part numbers
<b>RC65</b> red - blank	<b>0103 776.01</b>
<b>RC65</b> blue - blank	<b>0103 775.00</b>

Note : (1) 24 V DC on LED circuit.

### Three level sensor terminal blocks with ground connection

Compression clamp

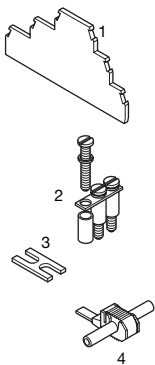
DIN 3

End stop th. 9,1 mm **BAMH** 0114 836.00  
 Other end stops : See Accessories section  
 Rail 35 x 7,5 x 1 **PR30** prepunched 0173 220.05  
 Rail 35 x 15 x 2,3 **PR4** 0168 500.12  
 Rail 35 x 15 x 1,5 **PR5** prepunched 0101 598.26  
 Other rails : See Accessories section  
 Other accessories : See Accessories section

#### Notes

The use of some accessories may decrease the block's voltage rating. For more information, consult us.

#### Accessories



1 End section	grey	
2 Assembled jumper bar (without IP20 protection)	22 A	
3 Connector plate	22 A	
4 IDC jumper	24 A	



R See section on markers marking method

#### D 2,5/6.DPA1

Spacing 6 mm +0,05 (.238")

Three level block for power with ground on lower level.  
 \* Green/yellow marking on lower deck

#### D 2,5/6.DPAL1

Spacing 6 mm +0,05 (.238")

Three level block for sensor with ground on lower level and LED indicator between upper and middle level (red 24V=)  
 \* Green/yellow marking on lower deck

Color	Type	Part numbers
Grey	<b>D 2,5/6.DPA1</b>	<b>0115 643.27</b>

Color	Type	Part numbers
Grey	<b>D 2,5/6.DPAL1</b>	<b>0115 642.26</b>

#### Characteristics

	NFC	DIN	UL	CSA
Compression Solid wire	0,2-2,5 mm <sup>2</sup>		20-12 AWG	22-14 AWG
Compression Stranded wire	0,22-2,5 mm <sup>2</sup>		20-12 AWG	22-14 AWG

#### Characteristics

	NFC	DIN	UL	CSA
Compression Solid wire	0,2-2,5 mm <sup>2</sup>		20-12 AWG	22-14 AWG
Compression Stranded wire	0,22-2,5 mm <sup>2</sup>		20-12 AWG	22-14 AWG

#### Voltage

Rated	380 V Gr.C	300 V	300 V
Pulse			
Pollution degree			

#### Current

Rated	Short circuit	22 A	300A/1s	20 A	20 A
-------	---------------	------	---------	------	------

#### Wire size

Rated / Gauge	2,5 mm <sup>2</sup>	12 AWG	14 AWG
Wire stripping length	Recomm. Screwdriver	Recomm. torque	Protection
6 mm	3,5 mm	0,4-0,6 Nm	IP20
.24"	.138"	3.5-5.3 lb.in	NEMA 1

#### Voltage

Rated	380 V Gr.C	300 V (1)	300 V (1)
Pulse			
Pollution degree			

#### Current

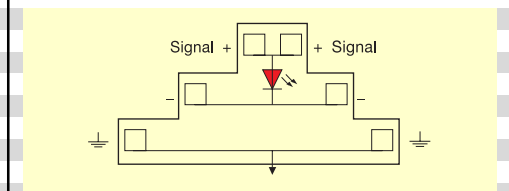
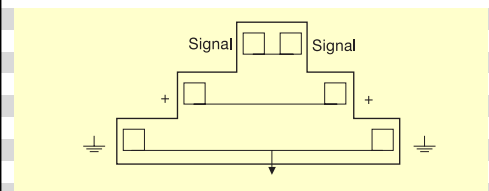
Rated	Short circuit	22 A	300A/1s	20 A	20 A
-------	---------------	------	---------	------	------

#### Wire size

Rated / Gauge	2,5 mm <sup>2</sup>	12 AWG	14 AWG
Wire stripping length	Recomm. Screwdriver	Recomm. torque	Protection
6 mm	3,5 mm	0,4-0,6 Nm	IP20
.24"	.138"	3.5-5.3 lb.in	NEMA 1

Type	Part numbers
<b>FED3E</b>	th. 3,0 mm <b>0116 771.20</b>
<b>BJD6</b>	2 poles <b>0178 024.25</b>
<b>BJD6</b>	3 poles <b>0178 025.26</b>
<b>BJD6</b>	4 poles <b>0178 026.27</b>
<b>BJD6</b>	5 poles <b>0178 027.20</b>
<b>BJD6</b>	10 poles <b>0178 032.25</b>
<b>BJD6</b>	20 poles <b>0178 033.26</b>
<b>EL61</b>	<b>0177 812.17</b>
<b>AD2,5</b>	<b>0114 205.20</b>

Type	Part numbers
<b>FED3E</b>	th. 3,0 mm <b>0116 771.20</b>
<b>BJD6</b>	2 poles <b>0178 024.25</b>
<b>BJD6</b>	3 poles <b>0178 025.26</b>
<b>BJD6</b>	4 poles <b>0178 026.27</b>
<b>BJD6</b>	5 poles <b>0178 027.20</b>
<b>BJD6</b>	10 poles <b>0178 032.25</b>
<b>BJD6</b>	20 poles <b>0178 033.26</b>
<b>EL61</b>	<b>0177 812.17</b>
<b>AD2,5</b>	<b>0114 205.20</b>



⑤ <b>RC65</b>	red - blank	<b>0103 776.01</b>
<b>RC65</b>	blue - blank	<b>0103 775.00</b>

⑤ <b>RC65</b>	red - blank	<b>0103 776.01</b>
<b>RC65</b>	blue - blank	<b>0103 775.00</b>

Note : (1) 24 V DC on LED circuit.

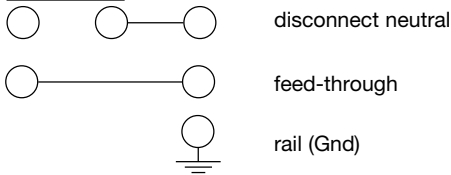
# Terminal blocks for distribution boxes double-deck + protection

## Compression clamp

DIN 3

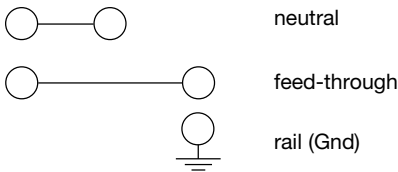
### D 4/6.NTLP

3 circuits



### D 4/6.NLP

3 circuits



End stop	th. 9,0 mm	<b>BADL V0</b>	<b>0199 408.02</b>
End stop	th. 9,1 mm	<b>BAM</b>	<b>0103 002.26</b>
End stop	th. 9,1 mm	<b>BAMH</b>	<b>0114 836.00</b>
Rail	35 x 7,5 x 1	<b>PR30</b> prepunched	<b>0173 220.05</b>
Rail	35 x 15 x 2,3	<b>PR4</b>	<b>0168 500.12</b>
Rail	35 x 15 x 1,5	<b>PR5</b> prepunched	<b>0101 598.26</b>

Other end stops and rails : See Accessories section

## Notes

According to DIN 43880 standards (dimension above the rail 35 x 7,5 ≤ 44 mm).

The compression clamp terminal blocks, wire size from 2,5 mm<sup>2</sup> (spacing 5 mm) to 16 mm<sup>2</sup> (spacing 12 mm) also comply with these standards.

The use of some accessories may decrease the block's voltage rating. For more information, consult us.

\* Blue marking on "neutral" circuit.

Yellow/green marking on "ground" circuit.

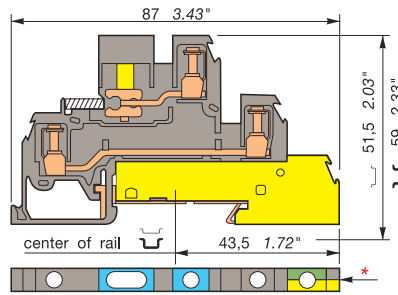
## Accessories

1	End section	grey	<b>FED6</b>	V2	th. 1 mm	<b>0116 964.12</b>
2	Separator end section		<b>SCFD</b>	V2	th. 1,5 mm	<b>0114 117.07</b>
3	Circuit separator	white	<b>SCD</b>	V2		<b>0103 189.26</b>
4	Test socket		<b>AL2</b>	(4)	DIA. 2 mm	<b>0167 319.06</b>
5	Test plug		<b>FC2</b>	(3)	DIA. 2 mm	<b>0007 865.26</b>
6	Assembled jumper bar	32 A	<b>BJM62</b>	(4)	2 poles	<b>0173 217.26</b>
		32 A	<b>BJM62</b>	(4)	3 poles	<b>0173 218.07</b>
		32 A (without IP20 protection)	<b>BJM62</b>	(4)	4 poles	<b>0173 219.00</b>
		32 A	<b>BJM62</b>	(4)	5 poles	<b>0173 221.22</b>
		32 A	<b>BJM62</b>	(4)	6 poles	<b>0174 112.16</b>
		32 A	<b>BJM62</b>	(4)	7 poles	<b>0174 113.17</b>
		32 A	<b>BJM62</b>	(4)	8 poles	<b>0174 114.10</b>
		32 A	<b>BJM62</b>	(4)	9 poles	<b>0174 115.11</b>
		32 A	<b>BJM62</b>	(4)	10 poles	<b>0173 226.27</b>
7	IDC jumper	24 A	<b>AD2,5</b>	V2		<b>0114 205.20</b>
8	Busbar		<b>BO3</b>		10 x 3 mm	<b>0164 406.24</b>
9	Clamp for busbar		<b>SFB1</b>		0,5 to 35 mm <sup>2</sup>	<b>0163 860.05</b>
			<b>SFB2</b>		16 to 35 mm <sup>2</sup>	<b>0168 956.06</b>

R See section on markers marking method

## D 4/6.NTLP

Spacing 6 mm +0,05 .238"



Color	Type	Part number
1 circuit : "disconnect neutral" with busbar connection		
1 circuit : "feed-through"		
1 circuit : "ground" connected to the rail		
Grey V2	<b>D 4/6.NTLP</b>	<b>0110 439.22</b>

## Characteristics

Wire size	IEC		UL	CSA
	NFC	DIN		
Compression Solid wire	0,2-4 mm <sup>2</sup>		18-12 AWG	18-12 AWG
clamp Stranded wire	0,2-4 mm <sup>2</sup>		18-12 AWG	18-12 AWG
Ground bar	10 x 3 mm			

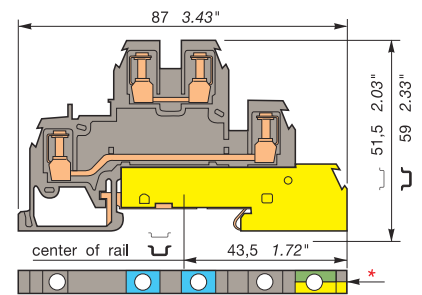
Voltage				
Rated	320V(1)/400V(2)	300V	300V	
Pulse	4kV(1)/6kV(2)			
Pollution degree	3			

Current				
Rated	Short circuit	30 A	480 A /1s.	20 A
				20 A

Wire size			
Rated / Gauge	4 mm <sup>2</sup> / A4	12AWG	12AWG
Wire stripping length	Recomm. screwdriver	Recomm. torque	Protection
9,5 mm	4 mm	0,4-0,8 Nm	IP 20
.37"	.16"	3.5-7 lb.in	NEMA 1

## D 4/6.NLP

Spacing 6 mm +0,05 .238"



Color	Type	Part number
1 circuit : "neutral"		
1 circuit : "feed-through"		
1 circuit : "ground" connected to the rail		
Grey V2	<b>D 4/6.NLP</b>	<b>0110 440.07</b>

## Characteristics

Wire size	IEC		UL	CSA
	NFC	DIN		
Compression Solid wire	0,2-4 mm <sup>2</sup>		18-12 AWG	18-12 AWG
clamp Stranded wire	0,2-4 mm <sup>2</sup>		18-12 AWG	18-12 AWG
Ground bar	10 x 3 mm			

Voltage				
Rated	400V	300V	300V	
Pulse	6 kV			
Pollution degree	3			

Current				
Rated	Short circuit	30 A	480 A /1s.	20 A
				20 A

Wire size			
Rated / Gauge	4 mm <sup>2</sup> / A4	12AWG	12AWG
Wire stripping length	Recomm. screwdriver	Recomm. torque	Protection
9,5 mm	4 mm	0,4-0,8 Nm	IP 20
.37"	.16"	3.5-7 lb.in	NEMA 1

Type	Part numbers			
<b>FED6</b>	V2	th. 1 mm	<b>0116 964.12</b>	
<b>SCFD</b>	V2	th. 1,5 mm	<b>0114 117.07</b>	
<b>SCD</b>	V2		<b>0103 189.26</b>	
<b>AL2</b>	(4)	DIA. 2 mm	<b>0167 319.06</b>	
<b>FC2</b>	(3)	DIA. 2 mm	<b>0007 865.26</b>	
<b>BJM62</b>	(4)	2 poles	<b>0173 217.26</b>	
<b>BJM62</b>	(4)	3 poles	<b>0173 218.07</b>	
<b>BJM62</b>	(4)	4 poles	<b>0173 219.00</b>	
<b>BJM62</b>	(4)	5 poles	<b>0173 221.22</b>	
<b>BJM62</b>	(4)	6 poles	<b>0174 112.16</b>	
<b>BJM62</b>	(4)	7 poles	<b>0174 113.17</b>	
<b>BJM62</b>	(4)	8 poles	<b>0174 114.10</b>	
<b>BJM62</b>	(4)	9 poles	<b>0174 115.11</b>	
<b>BJM62</b>	(4)	10 poles	<b>0173 226.27</b>	
<b>AD2,5</b>	V2		<b>0114 205.20</b>	
<b>BO3</b>		10 x 3 mm	<b>0164 406.24</b>	
<b>SFB1</b>		0,5 to 35 mm <sup>2</sup>	<b>0163 860.05</b>	
<b>SFB2</b>		16 to 35 mm <sup>2</sup>	<b>0168 956.06</b>	

### For disconnect device :

Recomm. screwdriver	Recomm. torque
4 mm	0,4-0,6 Nm
.16"	3.5-5.3 lb.in

RC65 ⑤

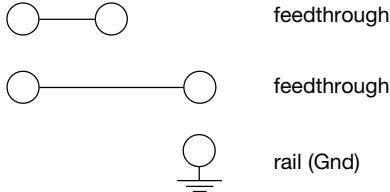
Note : (1) Between "feed-through" and "neutral" circuits. (2) Between 2 "feed-through" circuits (side by side). (3) For block equipped with AL2. (4) A circuit separator SC may be required with the use of these accessories.

**Terminal blocks for distribution boxes double-deck + protection**

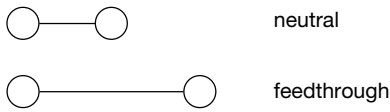
**Compression clamp**

DIN 3

**D 4/6.LLP**  
3 circuits



**D 4/6...L**  
2 circuits



End stop	th. 9,0 mm	<b>BADL V0</b>	<b>0199 408.02</b>
End stop	th. 9,1 mm	<b>BAM</b>	<b>0103 002.26</b>
End stop	th. 9,1 mm	<b>BAMH</b>	<b>0114 836.00</b>
Rail	35 x 7,5 x 1	<b>PR30</b> prepunched	<b>0173 220.05</b>
Rail	35 x 15 x 2,3	<b>PR4</b>	<b>0168 500.12</b>
Rail	35 x 15 x 1,5	<b>PR5</b> prepunched	<b>0101 598.26</b>

Other end stops and rails : See Accessories section

**Notes**

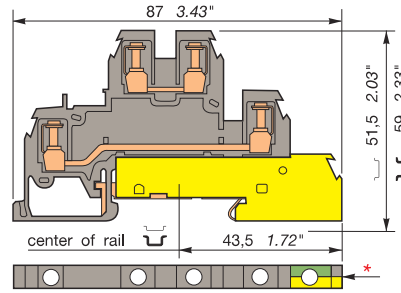
According to DIN 43880 standards (dimension above the rail 35 x 7,5 ≤ 44 mm).  
The compression clamp terminal blocks, wire size from 2,5 mm<sup>2</sup> (spacing 5 mm) to 16 mm<sup>2</sup> (spacing 12 mm) also comply with these standards.  
The use of some accessories may decrease the block's voltage rating. For more information, consult us.  
\*Blue marking on "neutral" circuit.  
Yellow/green marking on "ground" circuit.

**Accessories**

1	End section	grey	<b>FED6</b>	V2	th. 1 mm	<b>0116 964.12</b>
2	Separator end section		<b>SCFD</b>	V2	th. 1,5 mm	<b>0114 117.07</b>
3	Circuit separator	white	<b>SCD</b>	V2		<b>0103 189.26</b>
4	Test socket		<b>AL2 (2)</b>		DIA. 2 mm	<b>0167 319.06</b>
5	Test plug		<b>FC2 (1)</b>		DIA. 2 mm	<b>0007 865.26</b>
6	Assembled jumper bar	32 A	<b>BJM62 (2)</b>		2 poles	<b>0173 217.26</b>
	(without IP20 protection)	32 A	<b>BJM62 (2)</b>		3 poles	<b>0173 218.07</b>
		32 A	<b>BJM62 (2)</b>		4 poles	<b>0173 219.00</b>
		32 A	<b>BJM62 (2)</b>		5 poles	<b>0173 221.22</b>
		32 A	<b>BJM62 (2)</b>		6 poles	<b>0174 112.16</b>
		32 A	<b>BJM62 (2)</b>		7 poles	<b>0174 113.17</b>
		32 A	<b>BJM62 (2)</b>		8 poles	<b>0174 114.10</b>
		32 A	<b>BJM62 (2)</b>		9 poles	<b>0174 115.11</b>
		32 A	<b>BJM62 (2)</b>		10 poles	<b>0173 226.27</b>
7	IDC jumper	24 A	<b>AD2,5</b>	V2		<b>0114 205.20</b>
R	See section on markers marking method					

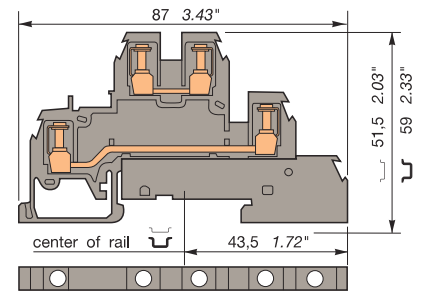
**D 4/6.LLP**

Spacing 6 mm +0,05 .238"



**D 4/6...L**

Spacing 6 mm +0,05 .238"



Color	Type	Part number
2 circuits : "feed-through"		
1 circuit : "ground" connected to the rail		
Grey V2	<b>D 4/6.LLP</b>	<b>0110 441.24</b>

Color	Type	Part number
1 circuit : "neutral"		
1 circuit : "feed-through"		
Grey V2	<b>D 4/6.NL</b>	<b>0110 447.22</b>
2 circuits : "feed-through"		
Grey V2	<b>D 4/6.LL</b>	<b>0110 442.25</b>

**Characteristics**

Wire size	IEC		UL	CSA
	NFC	DIN		
Compression Solid wire	0,2-4mm <sup>2</sup>		18-12 AWG	18-12 AWG
clamp Stranded wire	0,2-4 mm <sup>2</sup>		18-12 AWG	18-12 AWG

**Characteristics**

Wire size	IEC		UL	CSA
	NFC	DIN		
Compression Solid wire	0,2-4 mm <sup>2</sup>		18-12 AWG	18-12 AWG
clamp Stranded wire	0,2-4 mm <sup>2</sup>		18-12 AWG	18-12 AWG

Voltage				
Rated	400V	300V	300V	
Pulse	6 kV			
Pollution degree	3			
Current				
Rated	30 A	480 A/1s.	20 A	20 A
Wire size				
Rated / Gauge	4 mm <sup>2</sup> / A4	12 AWG	12 AWG	
Wire stripping length	Recomm. screwdriver	Recomm. torque	Protection	
9,5 mm	4 mm	0,4-0,8 Nm	IP20	
.37"	.16"	3.5-7 lb.in	NEMA 1	

Voltage				
Rated	400V	300V	300V	
Pulse	6 kV			
Pollution degree	3			
Current				
Rated	30 A	20 A	20 A	
Wire size				
Rated / Gauge	4 mm <sup>2</sup> / A4	12 AWG	12 AWG	
Wire stripping length	Recomm. screwdriver	Recomm. torque	Protection	
9,5 mm	4 mm	0,4-0,8 Nm	IP20	
.37"	.16"	3.5-7 lb.in	NEMA 1	

Type	Part numbers			
RC65 ⑤				

Type	Part numbers			
RC65 ⑤				

Note : (1) For block equipped with AL2.  
(2) A circuit separator SC may be required with the use of these accessories.

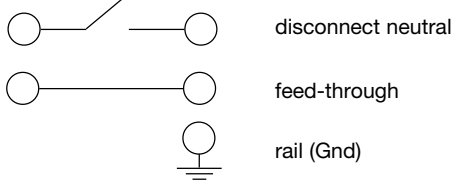
# Terminal blocks for distribution boxes double-deck + protection

## Compression clamp

DIN 3

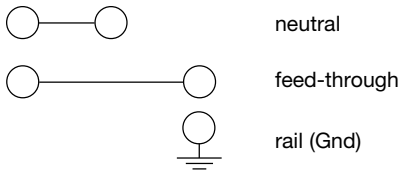
### D 4/6.A.NTLP

3 circuits



### D 4/6.A.NLP

3 circuits



End stop	th. 9,0 mm	<b>BADL V0</b>	<b>0199 408.02</b>
End stop	th. 9,1 mm	<b>BAM</b>	<b>0103 002.26</b>
End stop	th. 9,1 mm	<b>BAMH</b>	<b>0114 836.00</b>
Rail	35 x 7,5 x 1	<b>PR30</b> prepunched	<b>0173 220.05</b>
Rail	35 x 15 x 2,3	<b>PR4</b>	<b>0168 500.12</b>
Rail	35 x 15 x 1,5	<b>PR5</b> prepunched	<b>0101 598.26</b>

Other end stops and rails : See Accessories section

## Notes

Mainly suitable for medical equipment purposes.  
According to DIN 43880 standards (dimension above the rail 35 x 7,5 ≤ 44 mm).  
The compression clamp terminal blocks, wire size from 2,5 mm<sup>2</sup> (spacing 5 mm) to 16 mm<sup>2</sup> (spacing 12 mm) also comply with these standards.  
The use of some accessories may decrease the block's voltage rating. For more information, consult us.  
\* Blue marking on "neutral" circuit.  
Yellow/green marking on "ground" circuit.

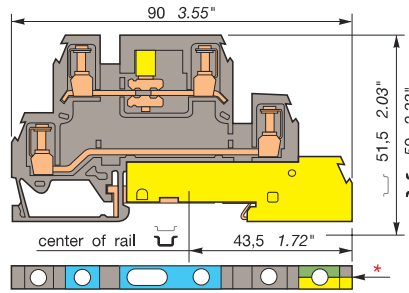
## Accessories

1	End section	grey
2	Separator end section	
3	Circuit separator	white
4	Test socket	
5	Test plug	
6	Assembled jumper bar	32 A
	(without IP20 protection)	32 A
		32 A
		32 A
		32 A
		32 A
		32 A
		32 A
7	IDC jumper	24 A

R See section on markers marking method

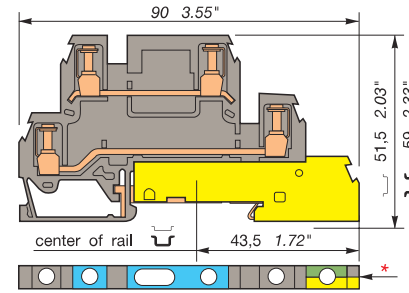
### D 4/6.A.NTLP

Spacing 6 mm +0,05 .238"



### D 4/6.A.NLP

Spacing 6 mm +0,05 .238"



Color	Type	Part number
-------	------	-------------

1 circuit : "disconnect neutral"		
1 circuit : "feed-through"		
1 circuit : "ground" connected to the rail		
Grey V2	<b>D 4/6.A.NTLP</b>	<b>0110 415.12</b>

Color	Type	Part number
-------	------	-------------

1 circuit : "neutral"		
1 circuit : "feed-through"		
1 circuit : "ground" connected to the rail		
Grey V2	<b>D 4/6.A.NLP</b>	<b>0110 417.14</b>

## Characteristics

Wire size	IEC		UL	CSA
	NFC	DIN		
Compression Solid wire	0,2-4 mm <sup>2</sup>		18-12 AWG	18-12 AWG
clamp Stranded wire	0,2-4 mm <sup>2</sup>		18-12 AWG	18-12 AWG

## Characteristics

Wire size	IEC		UL	CSA
	NFC	DIN		
Compression Solid wire	0,2-4 mm <sup>2</sup>		18-12 AWG	18-12 AWG
clamp Stranded wire	0,2-4 mm <sup>2</sup>		18-12 AWG	18-12 AWG

Voltage				
Rated	320V(1)/400V(2)	300V	300V	
Pulse	4kV(1)/6kV(2)			
Pollution degree	3			

Current				
Rated	Short circuit	30 A / 480 A / 1s.	20 A	20 A

Wire size				
Rated / Gauge	4 mm <sup>2</sup> / A4	12 AWG	12 AWG	
Wire stripping length	Recomm. screwdriver	Recomm. torque	Protection	
9,5 mm	4 mm	0,4-0,8 Nm	IP20	
.37"	.16"	3.5-7 lb.in	NEMA 1	

Voltage				
Rated	400V	300V	300V	
Pulse	6 kV			
Pollution degree	3			

Current				
Rated	Short circuit	30 A / 480 A / 1s.	20 A	20 A

Wire size				
Rated / Gauge	4 mm <sup>2</sup> / A4	12 AWG	12 AWG	
Wire stripping length	Recomm. screwdriver	Recomm. torque	Protection	
9,5 mm	4 mm	0,4-0,8 Nm	IP20	
.37"	.16"	3.5-7 lb.in	NEMA 1	

Type	Part numbers
<b>FEDA6</b> V2 th. 1 mm	<b>0116 965.13</b>
<b>SCFD</b> V2 th. 1,5 mm	<b>0114 117.07</b>
<b>SCD</b> V2	<b>0103 189.26</b>
<b>AL2</b> (4) DIA. 2 mm	<b>0167 319.06</b>
<b>FC2</b> (3) DIA. 2 mm	<b>0007 865.26</b>
<b>BJM62</b> (4) 2 poles	<b>0173 217.26</b>
<b>BJM62</b> (4) 3 poles	<b>0173 218.07</b>
<b>BJM62</b> (4) 4 poles	<b>0173 219.00</b>
<b>BJM62</b> (4) 5 poles	<b>0173 221.22</b>
<b>BJM62</b> (4) 6 poles	<b>0174 112.16</b>
<b>BJM62</b> (4) 7 poles	<b>0174 113.17</b>
<b>BJM62</b> (4) 8 poles	<b>0174 114.10</b>
<b>BJM62</b> (4) 9 poles	<b>0174 115.11</b>
<b>BJM62</b> (4) 10 poles	<b>0173 226.27</b>
<b>AD2,5</b> V2	<b>0114 205.20</b>

Type	Part numbers
<b>FEDA6</b> V2 th. 1 mm	<b>0116 965.13</b>
<b>SCFD</b> V2 th. 1,5 mm	<b>0114 117.07</b>
<b>SCD</b> V2	<b>0103 189.26</b>
<b>AL2</b> (4) DIA. 2 mm	<b>0167 319.06</b>
<b>FC2</b> (3) DIA. 2 mm	<b>0007 865.26</b>
<b>BJM62</b> (4) 2 poles	<b>0173 217.26</b>
<b>BJM62</b> (4) 3 poles	<b>0173 218.07</b>
<b>BJM62</b> (4) 4 poles	<b>0173 219.00</b>
<b>BJM62</b> (4) 5 poles	<b>0173 221.22</b>
<b>BJM62</b> (4) 6 poles	<b>0174 112.16</b>
<b>BJM62</b> (4) 7 poles	<b>0174 113.17</b>
<b>BJM62</b> (4) 8 poles	<b>0174 114.10</b>
<b>BJM62</b> (4) 9 poles	<b>0174 115.11</b>
<b>BJM62</b> (4) 10 poles	<b>0173 226.27</b>
<b>AD2,5</b> V2	<b>0114 205.20</b>

### For disconnect device :

Recomm. screwdriver	Recomm. torque
4 mm	0,4-0,6 Nm
.16"	3.5-5.3 lb.in

RC65 ⑤

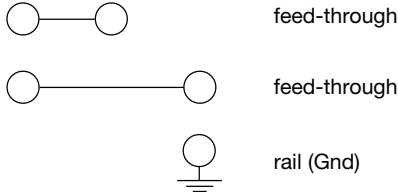
RC65 ⑤

Note : (1) Between "neutral" and "feed-through" circuits. (2) Between 2 "feed-through" circuits (side by side). (3) For block equipped with AL2. (4) A circuit separator SC may be required with the use of these accessories.

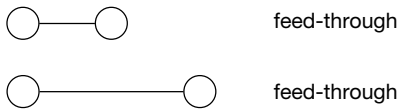
# Terminal blocks for distribution boxes double-deck + protection

Compression clamp  
DIN 3

D 4/6.A.LLP  
3 circuits



D 4/6.A.LL  
2 circuits



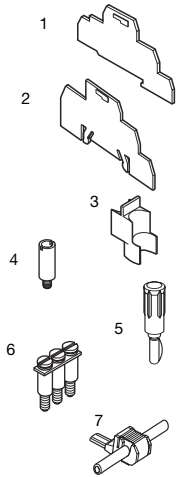
End stop	th. 9,0 mm	<b>BADL V0</b>	<b>0199 408.02</b>
End stop	th. 9,1 mm	<b>BAM</b>	<b>0103 002.26</b>
End stop	th. 9,1 mm	<b>BAMH</b>	<b>0114 836.00</b>
Rail	35 x 7,5 x 1	<b>PR30</b> prepunched	<b>0173 220.05</b>
Rail	35 x 15 x 2,3	<b>PR4</b>	<b>0168 500.12</b>
Rail	35 x 15 x 1,5	<b>PR5</b> prepunched	<b>0101 598.26</b>

Other end stops and rails : See Accessories section

## Notes

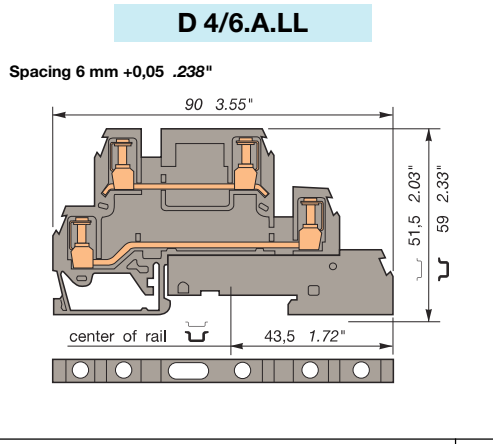
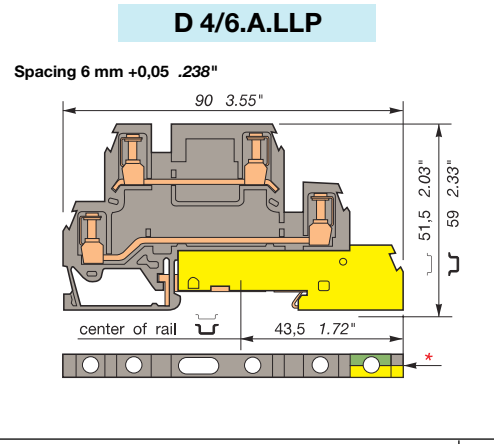
Mainly suitable for medical equipment purposes. According to DIN 43880 standards (dimension above the rail 35 x 7,5 ≤ 44 mm). The compression clamp terminal blocks, wire size from 2,5 mm<sup>2</sup> (spacing 5 mm) to 16 mm<sup>2</sup> (spacing 12 mm) also comply with these standards. The use of some accessories may decrease the block's voltage rating. For more information, consult us. \* Yellow/green marking on "ground" circuit.

## Accessories



1	End section	grey
2	Separator end section	
3	Circuit separator	white
4	Test socket	
5	Test plug	
6	Assembled jumper bar	32 A
	jumper bar	32 A
	(without IP20 protection)	32 A
		32 A
		32 A
		32 A
		32 A
		32 A
7	IDC jumper	24 A

R See section on marking method



Color	Type	Part number
2 circuits : "feed-through"		
1 circuit : "ground" connected to the rail		
Grey V2	<b>D 4/6.A.LLP</b>	<b>0110 418.25</b>

Color	Type	Part number
2 circuits : "feed-through"		
Grey V2	<b>D 4/6.A.LL</b>	<b>0110 419.26</b>

### Characteristics

Wire size	IEC		UL	CSA
	NFC	DIN		
Compression Solid wire	0,2-4 mm <sup>2</sup>		18-22 AWG	18-22 AWG
clamp Stranded wire	0,2-4 mm <sup>2</sup>		18-22 AWG	18-22 AWG

### Characteristics

Wire size	IEC		UL	CSA
	NFC	DIN		
Compression Solid wire	0,2-4 mm <sup>2</sup>		18-22 AWG	18-22 AWG
clamp Stranded wire	0,2-4 mm <sup>2</sup>		18-22 AWG	18-22 AWG

### Voltage

Rated	400V	300V	300V
Pulse	6 kV		
Pollution degree	3		

### Current

Rated	Short circuit	30 A   480 A / 1s.	20 A	20 A
-------	---------------	--------------------	------	------

### Wire size

Rated / Gauge	4 mm <sup>2</sup> / A4	12AWG	12AWG
---------------	------------------------	-------	-------

Wire stripping length	Recomm. screwdriver	Recomm. torque	Protection
9,5 mm	4 mm	0,4-0,8 Nm	IP20
.37"	.16"	3.5-7 lb.in	NEMA 1

### Voltage

Rated	400V	300V	300V
Pulse	6 kV		
Pollution degree	3		

### Current

Rated	30 A	20 A	20 A
-------	------	------	------

### Wire size

Rated / Gauge	4 mm <sup>2</sup> / A4	12AWG	12AWG
---------------	------------------------	-------	-------

Wire stripping length	Recomm. screwdriver	Recomm. torque	Protection
9,5 mm	4 mm	0,4-0,8 Nm	IP20
.37"	.16"	3.5-7 lb.in	NEMA 1

Type	Part numbers
<b>FEDA6</b> V2 th. 1 mm	<b>0116 965.13</b>
<b>SCFD</b> V2 th. 1,5 mm	<b>0114 117.07</b>
<b>SCD</b> V2	<b>0103 189.26</b>
<b>AL2</b> (2) DIA. 2 mm	<b>0167 319.06</b>
<b>FC2</b> (1) DIA. 2 mm	<b>0007 865.26</b>
<b>BJM62</b> (2) 2 poles	<b>0173 217.26</b>
<b>BJM62</b> (2) 3 poles	<b>0173 218.07</b>
<b>BJM62</b> (2) 4 poles	<b>0173 219.00</b>
<b>BJM62</b> (2) 5 poles	<b>0173 221.22</b>
<b>BJM62</b> (2) 6 poles	<b>0174 112.16</b>
<b>BJM62</b> (2) 7 poles	<b>0174 113.17</b>
<b>BJM62</b> (2) 8 poles	<b>0174 114.10</b>
<b>BJM62</b> (2) 9 poles	<b>0174 115.11</b>
<b>BJM62</b> (2) 10 poles	<b>0173 226.27</b>
<b>AD2,5</b> V2	<b>0114 205.20</b>

Type	Part numbers
<b>FEDA6</b> V2 th. 1 mm	<b>0116 965.13</b>
<b>SCFD</b> V2 th. 1,5 mm	<b>0114 117.07</b>
<b>SCD</b> V2	<b>0103 189.26</b>
<b>AL2</b> (2) DIA. 2 mm	<b>0167 319.06</b>
<b>FC2</b> (1) DIA. 2 mm	<b>0007 865.26</b>
<b>BJM62</b> (2) 2 poles	<b>0173 217.26</b>
<b>BJM62</b> (2) 3 poles	<b>0173 218.07</b>
<b>BJM62</b> (2) 4 poles	<b>0173 219.00</b>
<b>BJM62</b> (2) 5 poles	<b>0173 221.22</b>
<b>BJM62</b> (2) 6 poles	<b>0174 112.16</b>
<b>BJM62</b> (2) 7 poles	<b>0174 113.17</b>
<b>BJM62</b> (2) 8 poles	<b>0174 114.10</b>
<b>BJM62</b> (2) 9 poles	<b>0174 115.11</b>
<b>BJM62</b> (2) 10 poles	<b>0173 226.27</b>
<b>AD2,5</b> V2	<b>0114 205.20</b>

RC65 (5)  
Note : (1) For block equipped with AL2.  
(2) A circuit separator SC may be required with the use of these accessories.

# Terminal blocks for distribution boxes double-deck + protection

## Compression clamp

DIN 3

End stop	th. 9,0 mm	<b>BADL V0</b>	<b>0199 408.02</b>
End stop	th. 9,1 mm	<b>BAM</b>	<b>0103 002.26</b>
End stop	th. 9,1 mm	<b>BAMH</b>	<b>0114 836.00</b>
Rail	35 x 7,5 x 1	<b>PR30</b> prepunched	<b>0173 220.05</b>
Rail	35 x 15 x 2,3	<b>PR4</b>	<b>0168 500.12</b>
Rail	35 x 15 x 1,5	<b>PR5</b> prepunched	<b>0101 598.26</b>

Other end stops and rails : See Accessories section

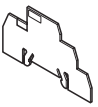







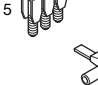

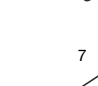
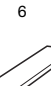




### Notes

Complies with DIN 43880 standard (height above the mounting rail 35 x 7,5 ≤ 44 mm 1.73").

The compression clamp terminal blocks, wire size 2,5 mm<sup>2</sup> (spacing 5 mm) to 16 mm<sup>2</sup> (spacing 12 mm) also comply with this standard.

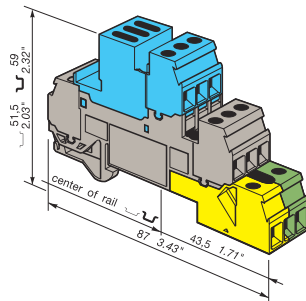
The use of some accessories may decrease the block's voltage rating. For more information, consult us.

### Accessories

	<b>1</b> Separator end section	grey
	<b>2</b> Circuit separator	white
	<b>3</b> Test socket	
	<b>4</b> Test plug	
	<b>5</b> Assembled jumper bar	32 A
		32 A
		32 A
		32 A
		32 A
		32 A
		32 A
		32 A
	<b>6</b> IDC jumper	24 A
	<b>7</b> Busbar	
	<b>8</b> Compression clamp for busbar	
	<b>R</b> See section on markers marking method	

## D 4/6.LNTP1

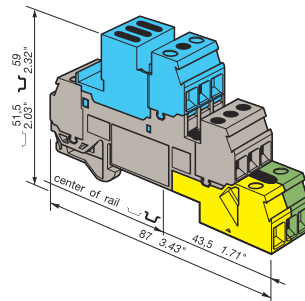
Spacing 17,8 mm + 0,2 (.700" + .008")



Closed terminal block

## D 4/6.LNTP3

Spacing 17,8 mm + 0,2 (.700" + .008")



Closed terminal block



Color	Type	Part number
Blue, grey and green-yellow V2	3 circuits : "disconnect neutral" with busbar connection 3 circuits : "feed-through" 3 circuits : "ground" connected to the rail	<b>D 4/6.LNTP1</b> <b>0110 264.02</b>

### Characteristics

Wire size	IEC		UL	CSA
	NFC	DIN		
Compression Solid wire	0,2-4 mm <sup>2</sup>		24-10 AWG	24-10 AWG
clamp Stranded wire	0,2-4 mm <sup>2</sup>		24-10 AWG	24-10 AWG

Voltage				
Rated	320V(1)/400V(2)	300 V	300 V	
Pulse	4kV(1)/6kV(2)			
Pollution degree	3			

Current				
Rated	Short circuit	30 A	480A/1s	20 A
Wire size				
Rated / Gauge	4 mm <sup>2</sup> /A4	10 AWG	10 AWG	

Type	Part numbers		
<b>SCFD</b> V2 th. 1,5 mm	<b>0114 117.07</b>		
<b>SCD</b> V2	<b>0103 189.26</b>		
<b>AL2</b> (4) DIA. 2 mm	<b>0167 319.06</b>		
<b>FC2</b> (3) DIA. 2 mm	<b>0007 865.26</b>		
<b>BJM62</b> (4) 2 poles	<b>0173 217.26</b>		
<b>BJM62</b> (4) 3 poles	<b>0173 218.07</b>		
<b>BJM62</b> (4) 4 poles	<b>0173 219.00</b>		
<b>BJM62</b> (4) 5 poles	<b>0173 221.22</b>		
<b>BJM62</b> (4) 6 poles	<b>0174 112.16</b>		
<b>BJM62</b> (4) 7 poles	<b>0174 113.17</b>		
<b>BJM62</b> (4) 8 poles	<b>0174 114.10</b>		
<b>BJM62</b> (4) 9 poles	<b>0174 115.11</b>		
<b>BJM62</b> (4) 10 poles	<b>0173 226.27</b>		
<b>AD2,5</b>	<b>0114 205.20</b>		
<b>BO3</b> 10 x 3 mm	<b>0164 406.24</b>		
<b>SFB1</b> 0,5 to 35 mm <sup>2</sup>	<b>0163 860.05</b>		
<b>SFB2</b> 16 to 35 mm <sup>2</sup>	<b>0168 956.06</b>		

Type	Part numbers		
<b>SCFD</b> V2 th. 1,5 mm	<b>0114 117.07</b>		
<b>SCD</b> V2	<b>0103 189.26</b>		
<b>AL2</b> (4) DIA. 2 mm	<b>0167 319.06</b>		
<b>FC2</b> (3) DIA. 2 mm	<b>0007 865.26</b>		
<b>BJM62</b> (4) 2 poles	<b>0173 217.26</b>		
<b>BJM62</b> (4) 3 poles	<b>0173 218.07</b>		
<b>BJM62</b> (4) 4 poles	<b>0173 219.00</b>		
<b>BJM62</b> (4) 5 poles	<b>0173 221.22</b>		
<b>BJM62</b> (4) 6 poles	<b>0174 112.16</b>		
<b>BJM62</b> (4) 7 poles	<b>0174 113.17</b>		
<b>BJM62</b> (4) 8 poles	<b>0174 114.10</b>		
<b>BJM62</b> (4) 9 poles	<b>0174 115.11</b>		
<b>BJM62</b> (4) 10 poles	<b>0173 226.27</b>		
<b>AD2,5</b>	<b>0114 205.20</b>		
<b>BO3</b> 10 x 3 mm	<b>0164 406.24</b>		
<b>SFB1</b> 0,5 to 35 mm <sup>2</sup>	<b>0163 860.05</b>		
<b>SFB2</b> 16 to 35 mm <sup>2</sup>	<b>0168 956.06</b>		

#### For disconnect device :

Recomm. screwdriver	Recomm. torque
4 mm .16"	0,4-0,6 Nm 3,5-5,3 lb.in

#### For disconnect device :

Recomm. screwdriver	Recomm. torque
4 mm .16"	0,4-0,6 Nm 3,5-5,3 lb.in

Notes : (1) Between "feed-through" and neutral circuits. (2) Between 2 "feed-through" circuits (side by side). (3) For block equipped with AL2. (4) A circuit separator SC may be required with the use of these accessories.

# Terminal blocks for distribution boxes double-deck + protection

## Compression clamp

DIN 3

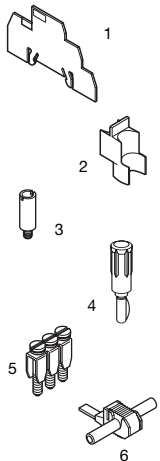
End stop	th. 9,0 mm	<b>BADL V0</b>	<b>0199 408.02</b>
End stop	th. 9,1 mm	<b>BAM</b>	<b>0103 002.26</b>
End stop	th. 9,1 mm	<b>BAMH</b>	<b>0114 836.00</b>
Rail	35 x 7,5 x 1	<b>PR30</b> prepunched	<b>0173 220.05</b>
Rail	35 x 15 x 2,3	<b>PR4</b>	<b>0168 500.12</b>
Rail	35 x 15 x 1,5	<b>PR5</b> prepunched	<b>0101 598.26</b>

Other end stops and rails : See Accessories section

### Notes

Complies with DIN 43880 standard (height above the mounting rail  $35 \times 7,5 \leq 44 \text{ mm } 1.73''$ ).  
 The compression clamp terminal blocks, wire size 2,5 mm<sup>2</sup> (spacing 5 mm) to 16 mm<sup>2</sup> (spacing 12 mm) also comply with this standard.  
 The use of some accessories may decrease the block's voltage rating. For more information, consult us.

### Accessories



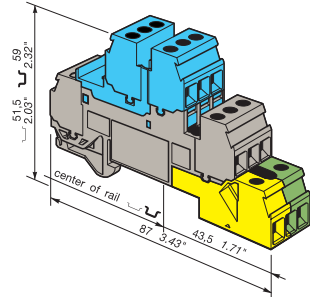
<b>1</b>	Separator end section	grey
<b>2</b>	Circuit separator	white
<b>3</b>	Test socket	
<b>4</b>	Test plug	
<b>5</b>	Assembled jumper bar	32 A
		32 A
		32 A
		32 A
		32 A
		32 A
		32 A
<b>6</b>	IDC jumper	24 A



R See section on markers marking method

## D 4/6.LNTP2

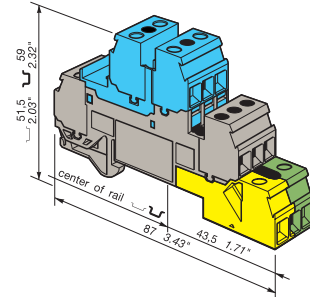
Spacing 17,8 mm + 0,2 (.700" + .008")



Closed terminal block

## D 4/6.LNTP8

Spacing 17,8 mm + 0,2 (.700" + .008")



Closed terminal block



Color	Type	Part number
3 circuits : "neutral"		
3 circuits : "feed-through"		
3 circuits : "ground" connected to the rail		
Blue, grey and green-yellow V2	<b>D 4/6.LNTP2</b>	<b>0110 327.21</b>



Color	Type	Part number
1 circuit : "neutral"		
3 circuits : "feed-through"		
1 circuit : "ground" connected to the rail		
Blue, grey and green-yellow V2	<b>D 4/6.LNTP8</b>	<b>0110 333.27</b>

### Characteristics

Wire size	IEC		UL	CSA
	NFC	DIN		
Compression Solid wire	0,2-4 mm <sup>2</sup>		24-10 AWG	24-10 AWG
clamp Stranded wire	0,2-4 mm <sup>2</sup>		24-10 AWG	24-10 AWG

### Characteristics

Wire size	IEC		UL	CSA
	NFC	DIN		
Compression Solid wire	0,2-4 mm <sup>2</sup>		18-12 AWG	24-10 AWG
clamp Stranded wire	0,2-4 mm <sup>2</sup>		18-12 AWG	24-10 AWG

### Voltage

Rated	400 V	300 V	300 V
Pulse	6 kV		
Pollution degree	3		

### Voltage

Rated	400 V	300 V	300 V
Pulse	6 kV		
Pollution degree	3		

### Current

Rated	Short circuit	30 A	480A/1s	20 A	20 A
-------	---------------	------	---------	------	------

### Current

Rated	Short circuit	30 A	480A/1s	20 A	20 A
-------	---------------	------	---------	------	------

### Wire size

Rated / Gauge	4 mm <sup>2</sup> /A4	10 AWG	10 AWG
Wire stripping length	Recomm. screwdriver	Recomm. torque	Protection
9,5 mm	4 mm	0,5-0,8 Nm	IP20
.37"	.16"	4.4-7 lb.in	NEMA 1

### Wire size

Rated / Gauge	4 mm <sup>2</sup> /A4	12 AWG	10 AWG
Wire stripping length	Recomm. screwdriver	Recomm. torque	Protection
9,5 mm	4 mm	0,4-0,8 Nm	IP20
.37"	.16"	3.5-7 lb.in	NEMA 1

Type	Part numbers		
<b>SCFD</b> V2 th. 1,5 mm	<b>0114 117.07</b>		
<b>SCD</b> V2	<b>0103 189.26</b>		
<b>AL2</b> (2) DIA. 2 mm	<b>0167 319.06</b>		
<b>FC2</b> (1) DIA. 2 mm	<b>0007 865.26</b>		
<b>BJM62</b> (2) 2 poles	<b>0173 217.26</b>		
<b>BJM62</b> (2) 3 poles	<b>0173 218.07</b>		
<b>BJM62</b> (2) 4 poles	<b>0173 219.00</b>		
<b>BJM62</b> (2) 5 poles	<b>0173 221.22</b>		
<b>BJM62</b> (2) 6 poles	<b>0174 112.16</b>		
<b>BJM62</b> (2) 7 poles	<b>0174 113.17</b>		
<b>BJM62</b> (2) 8 poles	<b>0174 114.10</b>		
<b>BJM62</b> (2) 9 poles	<b>0174 115.11</b>		
<b>BJM62</b> (2) 10 poles	<b>0173 226.27</b>		
<b>AD2,5</b>	<b>0114 205.20</b>		

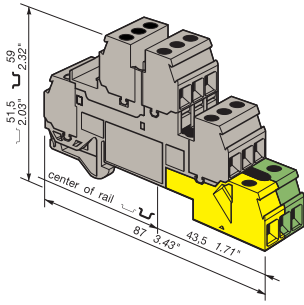
Type	Part numbers		
<b>SCFD</b> V2 th. 1,5 mm	<b>0114 117.07</b>		
<b>SCD</b> V2	<b>0103 189.26</b>		
<b>AL2</b> (2) DIA. 2 mm	<b>0167 319.06</b>		
<b>FC2</b> (1) DIA. 2 mm	<b>0007 865.26</b>		
<b>BJM62</b> (2) 2 poles	<b>0173 217.26</b>		
<b>BJM62</b> (2) 3 poles	<b>0173 218.07</b>		
<b>BJM62</b> (2) 4 poles	<b>0173 219.00</b>		
<b>BJM62</b> (2) 5 poles	<b>0173 221.22</b>		
<b>BJM62</b> (2) 6 poles	<b>0174 112.16</b>		
<b>BJM62</b> (2) 7 poles	<b>0174 113.17</b>		
<b>BJM62</b> (2) 8 poles	<b>0174 114.10</b>		
<b>BJM62</b> (2) 9 poles	<b>0174 115.11</b>		
<b>BJM62</b> (2) 10 poles	<b>0173 226.27</b>		
<b>AD2,5</b>	<b>0114 205.20</b>		

Note : (1) For block equipped with AL2.  
 (2) A circuit separator SC may be required with the use of these accessories.



**D 4/6.LNTP4**

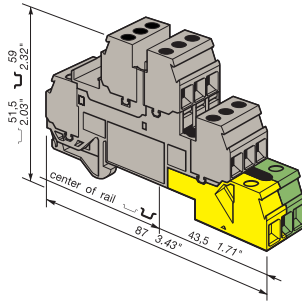
Spacing 17,8 mm + 0,2 (.700" + .008")



Closed terminal block

**D 4/6.LNTP7**

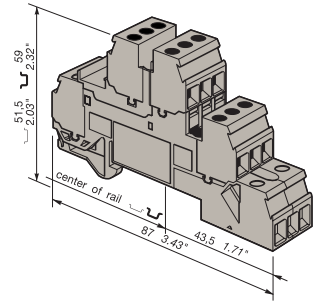
Spacing 17,8 mm + 0,2 (.700" + .008")



Closed terminal block

**D 4/6.LNTP6**

Spacing 17,8 mm + 0,2 (.700" + .008")



Closed terminal block



Color	Type	Part number
6 circuits : "feed-through"		
3 circuits "ground" connected to the rail		
Grey and green-yellow V2	<b>D 4/6.LNTP4</b>	<b>0110 328.02</b>

**Characteristics**

Wire size	IEC		UL	CSA
	NFC	DIN		
Compression Solid wire	0,2-4 mm <sup>2</sup>		24-10 AWG	24-10 AWG
clamp Stranded wire	0,2-4 mm <sup>2</sup>		24-10 AWG	24-10 AWG

Voltage				
Rated	400 V	300 V	300 V	
Pulse	6 kV			
Pollution degree	3			

Current				
Rated	Short circuit	30 A	480A/1s	20 A
				20 A

Wire size			
Rated / Gauge	4 mm <sup>2</sup> /A4	10 AWG	10 AWG
Wire stripping length	Recomm. screwdriver	Recomm. torque	Protection
9,5 mm	4 mm	0,5-0,8 Nm	IP20
.37"	.16"	4.4-7 lb.in	NEMA 1

Type	Part numbers			
SCFD V2 th. 1,5 mm	<b>0114 117.07</b>			
SCD V2	<b>0103 189.26</b>			
AL2 (2) DIA. 2 mm	<b>0167 319.06</b>			
FC2 (1) DIA. 2 mm	<b>0007 865.26</b>			
BJM62 (2) 2 poles	<b>0173 217.26</b>			
BJM62 (2) 3 poles	<b>0173 218.07</b>			
BJM62 (2) 4 poles	<b>0173 219.00</b>			
BJM62 (2) 5 poles	<b>0173 221.22</b>			
BJM62 (2) 6 poles	<b>0174 112.16</b>			
BJM62 (2) 7 poles	<b>0174 113.17</b>			
BJM62 (2) 8 poles	<b>0174 114.10</b>			
BJM62 (2) 9 poles	<b>0174 115.11</b>			
BJM62 (2) 10 poles	<b>0173 226.27</b>			
AD2,5	<b>0114 205.20</b>			



Color	Type	Part number
6 circuits : "feed-through"		
1 circuit "ground" connected to the rail		
Grey and green-yellow V2	<b>D 4/6.LNTP7</b>	<b>0110 332.26</b>

**Characteristics**

Wire size	IEC		UL	CSA
	NFC	DIN		
Compression Solid wire	0,2-4 mm <sup>2</sup>		18-12 AWG	24-10 AWG
clamp Stranded wire	0,2-4 mm <sup>2</sup>		18-12 AWG	24-10 AWG

Voltage				
Rated	400 V	300 V	300 V	
Pulse	6 kV			
Pollution degree	3			

Current				
Rated	Short circuit	30 A	480A/1s	20 AWG
				20 A

Wire size			
Rated / Gauge	4 mm <sup>2</sup> /A4	12 AWG	10 AWG
Wire stripping length	Recomm. screwdriver	Recomm. torque	Protection
9,5 mm	4 mm	0,4-0,8 Nm	IP20
.37"	.16"	3.5-7 lb.in	NEMA 1

Type	Part numbers			
SCFD V2 th. 1,5 mm	<b>0114 117.07</b>			
SCD V2	<b>0103 189.26</b>			
AL2 (2) DIA. 2 mm	<b>0167 319.06</b>			
FC2 (1) DIA. 2 mm	<b>0007 865.26</b>			
BJM62 (2) 2 poles	<b>0173 217.26</b>			
BJM62 (2) 3 poles	<b>0173 218.07</b>			
BJM62 (2) 4 poles	<b>0173 219.00</b>			
BJM62 (2) 5 poles	<b>0173 221.22</b>			
BJM62 (2) 6 poles	<b>0174 112.16</b>			
BJM62 (2) 7 poles	<b>0174 113.17</b>			
BJM62 (2) 8 poles	<b>0174 114.10</b>			
BJM62 (2) 9 poles	<b>0174 115.11</b>			
BJM62 (2) 10 poles	<b>0173 226.27</b>			
AD2,5	<b>0114 205.20</b>			



Color	Type	Part number
6 circuits : "feed-through"		
Grey V2	<b>D 4/6.LNTP6</b>	<b>0110 331.25</b>

**Characteristics**

Wire size	IEC		UL	CSA
	NFC	DIN		
Compression Solid wire	0,2-4 mm <sup>2</sup>		18-12 AWG	24-10 AWG
clamp Stranded wire	0,2-4 mm <sup>2</sup>		18-12 AWG	24-10 AWG

Voltage				
Rated	400 V	300 V	300 V	
Pulse	6 kV			
Pollution degree	3			

Current				
Rated	Short circuit	30 A	20 AWG	20 A

Wire size			
Rated / Gauge	4 mm <sup>2</sup> /A4	12 AWG	10 AWG
Wire stripping length	Recomm. screwdriver	Recomm. torque	Protection
9,5 mm	4 mm	0,4-0,8 Nm	IP20
.37"	.16"	3.5-7 lb.in	NEMA 1

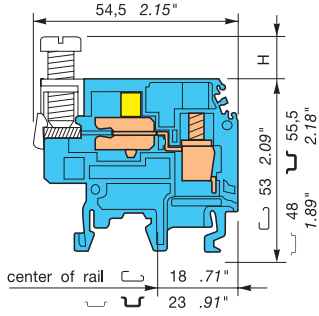
Type	Part numbers			
SCFD V2 th. 1,5 mm	<b>0114 117.07</b>			
SCD V2	<b>0103 189.26</b>			
AL2 (2) DIA. 2 mm	<b>0167 319.06</b>			
FC2 (1) DIA. 2 mm	<b>0007 865.26</b>			
BJM62 (2) 2 poles	<b>0173 217.26</b>			
BJM62 (2) 3 poles	<b>0173 218.07</b>			
BJM62 (2) 4 poles	<b>0173 219.00</b>			
BJM62 (2) 5 poles	<b>0173 221.22</b>			
BJM62 (2) 6 poles	<b>0174 112.16</b>			
BJM62 (2) 7 poles	<b>0174 113.17</b>			
BJM62 (2) 8 poles	<b>0174 114.10</b>			
BJM62 (2) 9 poles	<b>0174 115.11</b>			
BJM62 (2) 10 poles	<b>0173 226.27</b>			
AD2,5	<b>0114 205.20</b>			

5 Note : (1) For block equipped with AL2.  
(2) A circuit separator SC may be required with the use of these accessories.



**M 6/8.NT**

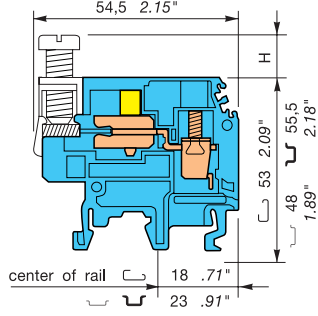
Spacing 8 mm - 0,05 (.315")



Neutral block spacing 8 mm same size as M 6/8 terminal block.

**M 10/10.NT**

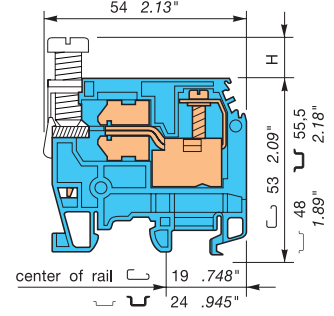
Spacing 10 mm - 0,05 (.394")



Neutral block spacing 10 mm same size as M 10/10 terminal block.

**M 16/12.NT1**

Spacing 12 mm -0,1 .473"



Neutral block spacing 12 mm same size as M16/12 terminal block.

CE	SE
----	----

Color	Type	Part numbers
Blue	M 6/8.NT	0125 119.14

CE	SE
----	----

Color	Type	Part numbers
Blue	M 10/10.NT	0125 121.06

CE	SE
----	----

Color	Type	Part numbers
Blue	M 16/12.NT1	0125 593.00

**Characteristics**

Wire size	IEC		UL	CSA
	NFC	DIN		
Compression Solid wire	0,5-10 mm <sup>2</sup>			18-8 AWG
clamp Stranded wire	0,5-6 mm <sup>2</sup>			18-8 AWG

Voltage			
Rated	400 V		300 V
Pulse	6 kV		
Pollution degree	3		

Current			
Rated	41 A		50 A

Wire size			
Rated / Gauge	6 mm <sup>2</sup> /A5		8 AWG
Wire stripping length	Recomm. screwdriver 4-5 mm	Recomm. torque 0,8-1 Nm	Protection
	.16-.20"	7.1-8.9 lb.in	

Type	Part numbers
FEM6 th. 2,8 mm	0128 368.10
DCO orange	0173 060.00
FC2 DIA. 2 mm	0007 865.26
BO3 100 x 10 x 3 mm	0164 406.24
VRB3	0128 035.16
SFB1 0,5 to 35 mm <sup>2</sup> 18 to 2 AWG H = 7 mm/.28"	0163 860.05
SFB2 16 to 35 mm <sup>2</sup> 6 to 2 AWG H = 3 mm/.12"	0168 956.06

**Characteristics**

Wire size	IEC		UL	CSA
	NFC	DIN		
Compression Solid wire	0,5-16 mm <sup>2</sup>			18-6 AWG
clamp Stranded wire	0,5-10 mm <sup>2</sup>			18-6 AWG

Voltage			
Rated	400 V		300 V
Pulse	6 kV		
Pollution degree	3		

Current			
Rated	57 A		75 A

Wire size			
Rated / Gauge	10 mm <sup>2</sup> /B6		6 AWG
Wire stripping length	Recomm. screwdriver 5,5-6 mm	Recomm. torque 1,2-1,4 Nm	Protection
	.47"	.22-.24"	10.6-12.3 lb.in

Type	Part numbers
FEM6 th. 2,8 mm	0128 368.10
BO3 100 x 10 x 3 mm	0164 406.24
VRB3	0128 035.16
SFB1 0,5 to 35 mm <sup>2</sup> 18 to 2 AWG H = 7 mm/.28"	0163 860.05
SFB2 16 to 35 mm <sup>2</sup> 6 to 2 AWG H = 3 mm/.12"	0168 956.06

**Characteristics**

Wire size	IEC		UL	CSA
	NFC	DIN		
Compression Solid wire	2,5-25 mm <sup>2</sup>			
clamp Stranded wire	2,5-16 mm <sup>2</sup>			

Voltage			
Rated	400 V		
Pulse	6 kV		
Pollution degree	3		

Current			
Rated	76 A		

Wire size			
Rated / Gauge	16 mm <sup>2</sup> /B7		
Wire stripping length	Recomm. screwdriver 4 mm	Recomm. torque 0,5-0,8 Nm	Protection
	.16"	4.4-7.1 lb.in	

Type	Part numbers
FEM6 th. 2,8 mm	0128 368.10
BO3 100 x 10 x 3 mm	0164 406.24
VRB3	0128 035.16
SFB1 0,5 to 35 mm <sup>2</sup> 18 to 2 AWG H = 7 mm/.28"	0163 860.05
SFB2 16 to 35 mm <sup>2</sup> 6 to 2 AWG H = 3 mm/.12"	0168 956.06

For disconnect device :

Recomm. screwdriver	Recomm. torque
4 mm .16"	0,5-0,8 Nm 4.4-7.1 lb.in

# Interruptible terminal blocks for neutral circuit

## Compression clamp

DIN 1 - 3

End stop	th. 9,0 mm	<b>BADL V0</b>	<b>0199 408.02</b>
End stop	th. 9,1 mm	<b>BAM</b>	<b>0103 002.26</b>
<i>Other end stops : See Accessories section</i>			
Rail	35 x 7,5 x 1	<b>PR30</b> prepunched	<b>0173 220.05</b>
Rail	35 x 15 x 2,3	<b>PR4</b>	<b>0168 500.12</b>
Rail	35 x 15 x 1,5	<b>PR5</b> prepunched	<b>0101 598.26</b>
Rail	32 x 15	<b>PR122</b>	<b>0163 050.04</b>
<i>Other rails : See Accessories section</i>			

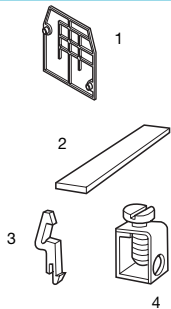

### Notes

The use of some accessories may decrease the block's voltage rating. For more information, consult us.

#### For disconnect device :

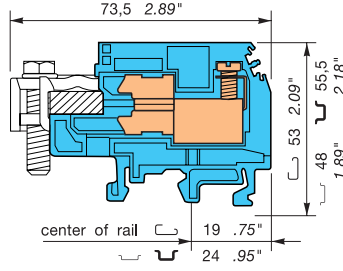
Recomm. screwdriver	Recomm. torque
5,5 mm .22"	0,5-0,8 Nm 4,4-7,1 lb.in

### Accessories

	<b>1</b> End section	blue
	<b>2</b> Busbar	
	<b>3</b> Busbar lock	blue
	<b>4</b> Compression clamp for busbar	
		
<b>R</b> See section on markers marking method		

## M 16/12.NT

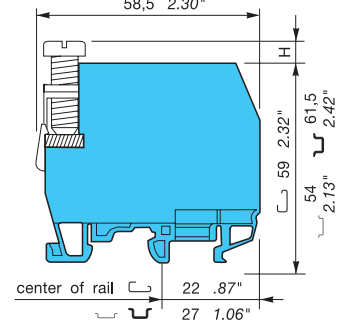
Spacing 12 mm - 0,1 (.472")



Interruptible neutral terminal block spacing 12 mm, same size as **M 16/12** terminal block, compatible with busbar 15 x 6 mm.



## M 35/16.NT

Spacing 17 mm - 0,1 (.630")



Closed block spacing 17 mm same size as **M 35/16** terminal block.

Ⓢ	CE
---	----

Color	Type	Part numbers	Color	Type	Part numbers
Blue	 <b>M 16/12.NT</b>	<b>0125 128.15</b>	Blue	 <b>M 35/16.NT</b>	<b>0125 358.03</b>

### Characteristics

Wire size	IEC		UL	CSA
	NFC	DIN		
Compression Solid wire	2,5-25 mm <sup>2</sup>			8-4 AWG
clamp Stranded wire	2,5-16 mm <sup>2</sup>			8-4 AWG

### Characteristics

Wire size	IEC		UL	CSA
	NFC	DIN		
Compression Solid wire	10-50 mm <sup>2</sup>			
clamp Stranded wire	10-35 mm <sup>2</sup>			


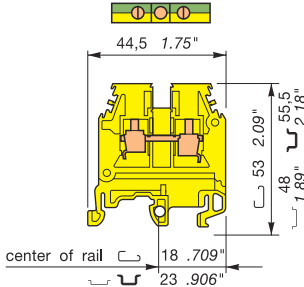
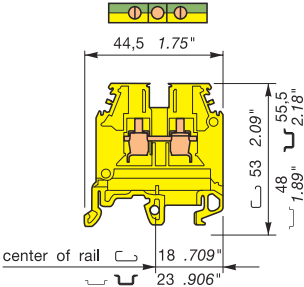
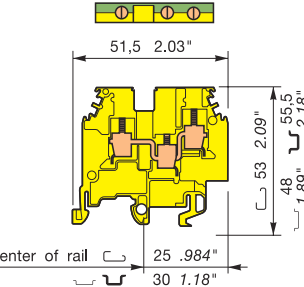

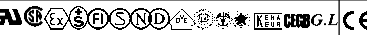

Voltage			
Rated	400 V		300 V
Pulse	6 kV		
Pollution degree	3		
Current			
Rated	76 A		105 A
Wire size			
Rated / Gauge	16 mm <sup>2</sup> /B7		4 AWG
Wire stripping length	Recomm. screwdriver	Recomm. torque	Protection
14 mm	5,5 mm	1,2-1,4 Nm	
.55"	.22"	10.6-12.3 lb.in	


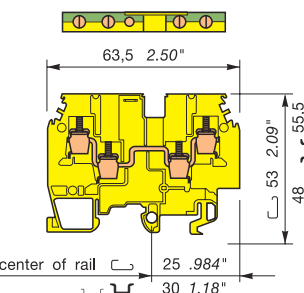
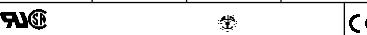
Voltage			
Rated	400 V		
Pulse	6 kV		
Pollution degree	3		
Current			
Rated	125 A		
Wire size			
Rated / Gauge	35 mm <sup>2</sup> /B9		
Wire stripping length	Recomm. screwdriver	Recomm. torque	Protection
17 mm	6,5-7 mm	2,8-3 Nm	
.67"	.26-.28"	24.6-26.1 lb.in	

Type	Part numbers	Type	Part numbers
<b>FEM12N</b> th. 1 mm	<b>0128 616.21</b>	Closed block delivered with end section	
<b>BO6</b> 100 x 15 x 6 mm	<b>0168 417.22</b>	<b>BO3</b> 100 x 10 x 3 mm	<b>0164 406.24</b>
<b>VRB6</b>	<b>0128 361.01</b>	<b>VRB3</b>	<b>0128 035.16</b>
<b>SFB3</b> 16 to 95 mm <sup>2</sup> 4 to 00 AWG	<b>0168 690.10</b>	<b>SFB1</b> 0,5 to 35 mm <sup>2</sup> 18 to 2 AWG H = 7 mm/.28"	<b>0163 860.05</b>
		<b>SFB2</b> 16 to 35 mm <sup>2</sup> 6 to 2 AWG H = 3 mm/.12"	<b>0168 956.06</b>

① ⑰ ⑳

① ⑰ ⑳

<p><b>Ground terminal blocks not electrically connected to the mounting rail (isolated ground)</b></p> <p><b>Compression clamp</b></p>  <p>DIN 1 - 3</p>	<p><b>MA 2,5/5.PI</b></p> <p>Spacing 5 mm + 0,08 .200"</p> 	<p><b>M 4/6.PI</b></p> <p>Spacing 6 mm + 0,05 .238"</p> 	<p><b>M 4/6.3A.PI</b></p> <p>Spacing 6 mm + 0,05 .238"</p> 																																													
	<p><b>Type</b> Part number</p> <p>Yellow body with green strip on the top</p> <p><b>MA 2,5/5.PI</b> <b>0165 677.03</b></p>	<p><b>Type</b> Part number</p> <p>Yellow body with green strip on the top</p> <p><b>M 4/6.PI</b> <b>0165 275.00</b></p>	<p><b>Type</b> Part number</p> <p>Yellow body with green strip on the top</p> <p><b>M 4/6.3A.PI</b> <b>0165 589.24</b></p>																																													
<p><b>Characteristics</b></p> <table border="1"> <thead> <tr> <th rowspan="2">Wire size</th> <th rowspan="2">Compression clamp</th> <th rowspan="2">Solid wire</th> <th>IEC</th> <th>UL</th> <th>CSA</th> <th>IEC</th> <th>UL</th> <th>CSA</th> <th>IEC</th> <th>UL</th> <th>CSA</th> </tr> <tr> <th>NFC DIN</th> <th></th> <th></th> <th>NFC DIN</th> <th></th> <th></th> <th>NFC DIN</th> <th></th> <th></th> </tr> </thead> <tbody> <tr> <td>0,2-4 mm<sup>2</sup></td> <td></td> <td></td> <td>22-12 AWG</td> <td>22-12 AWG</td> <td>22-12 AWG</td> <td>0,2-4 mm<sup>2</sup></td> <td>22-12 AWG</td> <td>22-12 AWG</td> <td>0,2-4 mm<sup>2</sup></td> <td>22-10 AWG</td> <td>12 AWG max.</td> </tr> <tr> <td>0,22-2,5 mm<sup>2</sup></td> <td></td> <td>Stranded wire</td> <td>22-12 AWG</td> <td>22-12 AWG</td> <td>22-12 AWG</td> <td>0,22-4 mm<sup>2</sup></td> <td>22-12 AWG</td> <td>22-12 AWG</td> <td>0,22-4 mm<sup>2</sup></td> <td>22-10 AWG</td> <td>12 AWG max.</td> </tr> </tbody> </table>	Wire size	Compression clamp	Solid wire	IEC	UL	CSA	IEC	UL	CSA	IEC	UL	CSA	NFC DIN			NFC DIN			NFC DIN			0,2-4 mm <sup>2</sup>			22-12 AWG	22-12 AWG	22-12 AWG	0,2-4 mm <sup>2</sup>	22-12 AWG	22-12 AWG	0,2-4 mm <sup>2</sup>	22-10 AWG	12 AWG max.	0,22-2,5 mm <sup>2</sup>		Stranded wire	22-12 AWG	22-12 AWG	22-12 AWG	0,22-4 mm <sup>2</sup>	22-12 AWG	22-12 AWG	0,22-4 mm <sup>2</sup>	22-10 AWG	12 AWG max.	<p><b>Short circuit current</b></p> <p>300A/1s</p>	<p><b>Short circuit current</b></p> <p>480A/1s</p>	<p><b>Short circuit current</b></p> <p>480A/1s</p>
Wire size				Compression clamp	Solid wire	IEC	UL	CSA	IEC	UL	CSA	IEC	UL	CSA																																		
	NFC DIN					NFC DIN			NFC DIN																																							
0,2-4 mm <sup>2</sup>			22-12 AWG	22-12 AWG	22-12 AWG	0,2-4 mm <sup>2</sup>	22-12 AWG	22-12 AWG	0,2-4 mm <sup>2</sup>	22-10 AWG	12 AWG max.																																					
0,22-2,5 mm <sup>2</sup>		Stranded wire	22-12 AWG	22-12 AWG	22-12 AWG	0,22-4 mm <sup>2</sup>	22-12 AWG	22-12 AWG	0,22-4 mm <sup>2</sup>	22-10 AWG	12 AWG max.																																					
<p><b>Rated wire size / Gauge</b></p> <p>2,5 mm<sup>2</sup> / A3 12 AWG 12 AWG</p>	<p><b>Rated wire size / Gauge</b></p> <p>4 mm<sup>2</sup> / A4 12 AWG 12 AWG</p>	<p><b>Rated wire size / Gauge</b></p> <p>4 mm<sup>2</sup> / A4 10 AWG 12 AWG</p>																																														
<p><b>Other characteristics</b></p> <table border="1"> <thead> <tr> <th>Wire stripping length</th> <th>Recomm. screwdriver</th> <th>Recomm. torque</th> <th>Protection</th> <th>Wire stripping length</th> <th>Recomm. screwdriver</th> <th>Recomm. torque</th> <th>Protection</th> <th>Wire stripping length</th> <th>Recomm. screwdriver</th> <th>Recomm. torque</th> <th>Protection</th> </tr> </thead> <tbody> <tr> <td>10 mm .39"</td> <td>3.5 mm .14"</td> <td>0,4-0,6 Nm 3.5-5.3 lb.in</td> <td>IP 20 NEMA 1</td> <td>9,5 mm .37"</td> <td>4 mm .16"</td> <td>0,5-0,8 Nm 4.4-7 lb.in</td> <td>IP 20 NEMA 1</td> <td>9,5 mm .37"</td> <td>4 mm .16"</td> <td>0,5-0,8 Nm 4.4-7 lb.in</td> <td>IP 20 NEMA 1</td> </tr> </tbody> </table>	Wire stripping length	Recomm. screwdriver	Recomm. torque	Protection	Wire stripping length	Recomm. screwdriver	Recomm. torque	Protection	Wire stripping length	Recomm. screwdriver	Recomm. torque	Protection	10 mm .39"	3.5 mm .14"	0,4-0,6 Nm 3.5-5.3 lb.in	IP 20 NEMA 1	9,5 mm .37"	4 mm .16"	0,5-0,8 Nm 4.4-7 lb.in	IP 20 NEMA 1	9,5 mm .37"	4 mm .16"	0,5-0,8 Nm 4.4-7 lb.in	IP 20 NEMA 1	<p><b>Approvals</b></p> 	<p><b>Approvals</b></p> 	<p><b>Approvals</b></p> 																					
Wire stripping length	Recomm. screwdriver	Recomm. torque	Protection	Wire stripping length	Recomm. screwdriver	Recomm. torque	Protection	Wire stripping length	Recomm. screwdriver	Recomm. torque	Protection																																					
10 mm .39"	3.5 mm .14"	0,4-0,6 Nm 3.5-5.3 lb.in	IP 20 NEMA 1	9,5 mm .37"	4 mm .16"	0,5-0,8 Nm 4.4-7 lb.in	IP 20 NEMA 1	9,5 mm .37"	4 mm .16"	0,5-0,8 Nm 4.4-7 lb.in	IP 20 NEMA 1																																					
<p><b>Accessories</b></p> <table border="1"> <thead> <tr> <th>Type</th> <th>Part number</th> <th>Type</th> <th>Part number</th> <th>Type</th> <th>Part number</th> </tr> </thead> <tbody> <tr> <td>1 End section yellow</td> <td><b>FEM6</b> th. 2,8 mm <b>0103 062.21</b></td> <td><b>FEM6</b> th. 2,8 mm <b>0103 062.21</b></td> <td><b>FEM6</b> th. 2,8 mm <b>0103 062.21</b></td> <td><b>FEM3A</b> th. 3 mm <b>0103 862.20</b></td> <td><b>FEM3A</b> th. 3 mm <b>0103 862.20</b></td> </tr> <tr> <td>2 Separator end section grey</td> <td><b>SCF6</b> th. 3 mm <b>0118 707.03</b></td> <td><b>SCF6</b> th. 3 mm <b>0118 707.03</b></td> <td><b>SCF6</b> th. 3 mm <b>0118 707.03</b></td> <td></td> <td></td> </tr> </tbody> </table>	Type	Part number	Type	Part number	Type	Part number	1 End section yellow	<b>FEM6</b> th. 2,8 mm <b>0103 062.21</b>	<b>FEM6</b> th. 2,8 mm <b>0103 062.21</b>	<b>FEM6</b> th. 2,8 mm <b>0103 062.21</b>	<b>FEM3A</b> th. 3 mm <b>0103 862.20</b>	<b>FEM3A</b> th. 3 mm <b>0103 862.20</b>	2 Separator end section grey	<b>SCF6</b> th. 3 mm <b>0118 707.03</b>	<b>SCF6</b> th. 3 mm <b>0118 707.03</b>	<b>SCF6</b> th. 3 mm <b>0118 707.03</b>			<p><b>Accessories</b></p> <p>R See markers marking method</p>	<p><b>Accessories</b></p> <p>R See markers marking method</p>	<p><b>Accessories</b></p> <p>R See markers marking method</p>																											
Type	Part number	Type	Part number	Type	Part number																																											
1 End section yellow	<b>FEM6</b> th. 2,8 mm <b>0103 062.21</b>	<b>FEM6</b> th. 2,8 mm <b>0103 062.21</b>	<b>FEM6</b> th. 2,8 mm <b>0103 062.21</b>	<b>FEM3A</b> th. 3 mm <b>0103 862.20</b>	<b>FEM3A</b> th. 3 mm <b>0103 862.20</b>																																											
2 Separator end section grey	<b>SCF6</b> th. 3 mm <b>0118 707.03</b>	<b>SCF6</b> th. 3 mm <b>0118 707.03</b>	<b>SCF6</b> th. 3 mm <b>0118 707.03</b>																																													

<p><b>Ground terminal blocks not electrically connected to the mounting rail (isolated ground)</b></p> <p><b>Compression clamp</b></p>  <p>DIN 1 - 3</p>	<p><b>M 4/6.4A.PI</b></p> <p>Spacing 6 mm + 0,05 .238"</p> 																																															
	<p><b>Type</b> Part number</p> <p>Yellow body with green strip on the top</p> <p><b>M 4/6.4A.PI</b> <b>0165 590.21</b></p>																																															
<p><b>Characteristics</b></p> <table border="1"> <thead> <tr> <th rowspan="2">Wire size</th> <th rowspan="2">Compression clamp</th> <th rowspan="2">Solid wire</th> <th>IEC</th> <th>UL</th> <th>CSA</th> <th>IEC</th> <th>UL</th> <th>CSA</th> <th>IEC</th> <th>UL</th> <th>CSA</th> </tr> <tr> <th>NFC DIN</th> <th></th> <th></th> <th>NFC DIN</th> <th></th> <th></th> <th>NFC DIN</th> <th></th> <th></th> </tr> </thead> <tbody> <tr> <td>0,2-4 mm<sup>2</sup></td> <td></td> <td></td> <td>22-10 AWG</td> <td>22-10 AWG</td> <td>12 AWG max.</td> <td></td> <td></td> <td></td> <td></td> <td></td> <td></td> </tr> <tr> <td>0,22-4 mm<sup>2</sup></td> <td></td> <td>Stranded wire</td> <td>22-10 AWG</td> <td>22-10 AWG</td> <td>12 AWG max.</td> <td></td> <td></td> <td></td> <td></td> <td></td> <td></td> </tr> </tbody> </table>	Wire size	Compression clamp	Solid wire	IEC	UL	CSA	IEC	UL	CSA	IEC	UL	CSA	NFC DIN			NFC DIN			NFC DIN			0,2-4 mm <sup>2</sup>			22-10 AWG	22-10 AWG	12 AWG max.							0,22-4 mm <sup>2</sup>		Stranded wire	22-10 AWG	22-10 AWG	12 AWG max.							<p><b>Short circuit current</b></p> <p>480A/1s</p>		
Wire size				Compression clamp	Solid wire	IEC	UL	CSA	IEC	UL	CSA	IEC	UL	CSA																																		
	NFC DIN					NFC DIN			NFC DIN																																							
0,2-4 mm <sup>2</sup>			22-10 AWG	22-10 AWG	12 AWG max.																																											
0,22-4 mm <sup>2</sup>		Stranded wire	22-10 AWG	22-10 AWG	12 AWG max.																																											
<p><b>Rated wire size / Gauge</b></p> <p>4 mm<sup>2</sup> / A4 10 AWG 12 AWG</p>																																																
<p><b>Other characteristics</b></p> <table border="1"> <thead> <tr> <th>Wire stripping length</th> <th>Recomm. screwdriver</th> <th>Recomm. torque</th> <th>Protection</th> <th>Wire stripping length</th> <th>Recomm. screwdriver</th> <th>Recomm. torque</th> <th>Protection</th> <th>Wire stripping length</th> <th>Recomm. screwdriver</th> <th>Recomm. torque</th> <th>Protection</th> </tr> </thead> <tbody> <tr> <td>9,5 mm .37"</td> <td>4 mm .16"</td> <td>0,5-0,8 Nm 4.4-7 lb.in</td> <td>IP 20 NEMA 1</td> <td></td> <td></td> <td></td> <td></td> <td></td> <td></td> <td></td> <td></td> </tr> </tbody> </table>	Wire stripping length	Recomm. screwdriver	Recomm. torque	Protection	Wire stripping length	Recomm. screwdriver	Recomm. torque	Protection	Wire stripping length	Recomm. screwdriver	Recomm. torque	Protection	9,5 mm .37"	4 mm .16"	0,5-0,8 Nm 4.4-7 lb.in	IP 20 NEMA 1																																
Wire stripping length	Recomm. screwdriver	Recomm. torque	Protection	Wire stripping length	Recomm. screwdriver	Recomm. torque	Protection	Wire stripping length	Recomm. screwdriver	Recomm. torque	Protection																																					
9,5 mm .37"	4 mm .16"	0,5-0,8 Nm 4.4-7 lb.in	IP 20 NEMA 1																																													
<p><b>Approvals</b></p> 																																																
<p><b>Accessories</b></p> <table border="1"> <thead> <tr> <th>Type</th> <th>Part number</th> <th>Type</th> <th>Part number</th> <th>Type</th> <th>Part number</th> </tr> </thead> <tbody> <tr> <td>1 End section yellow</td> <td><b>FEM4A</b> th. 3 mm <b>0103 863.21</b></td> <td></td> <td></td> <td></td> <td></td> </tr> <tr> <td>2 Separator end section grey</td> <td></td> <td></td> <td></td> <td></td> <td></td> </tr> </tbody> </table>	Type	Part number	Type	Part number	Type	Part number	1 End section yellow	<b>FEM4A</b> th. 3 mm <b>0103 863.21</b>					2 Separator end section grey																																			
Type	Part number	Type	Part number	Type	Part number																																											
1 End section yellow	<b>FEM4A</b> th. 3 mm <b>0103 863.21</b>																																															
2 Separator end section grey																																																
<p><b>Accessories</b></p> <p>R See markers marking method</p>																																																

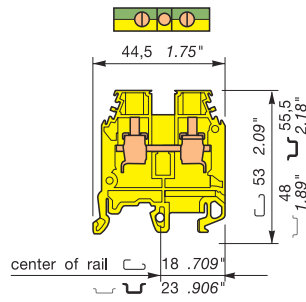
**Ground terminal blocks**  
**not electrically connected**  
**to the mounting rail**  
**(isolated ground)**

**Compression clamp**  
 DIN 1 - 3

For other terminal block accessories, see Product Guide pages for standard blocks of the same size.

**M 6/8.PI**

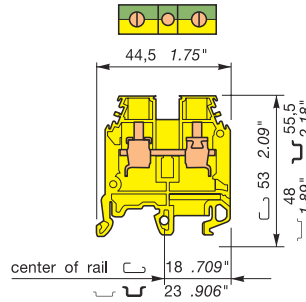
Spacing 8 mm - 0,05 .315"



Type	Part number
Yellow body with green strip on the top	
<b>M 6/8.PI</b>	<b>0165 451.21</b>

**M 10/10.PI**

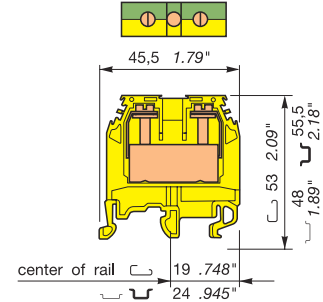
Spacing 10 mm - 0,05 .394"



Type	Part number
Yellow body with green strip on the top	
<b>M 10/10.PI</b>	<b>0165 452.22</b>

**M 16/12.PI**

Spacing 12 mm - 0,1 .473"



Type	Part number
Yellow body with green strip on the top	
<b>M 16/12.PI</b>	<b>0165 453.23</b>

**Characteristics**

Wire size	Compression clamp	Solid wire	M 6/8.PI			M 10/10.PI			M 16/12.PI			
			IEC	DIN	UL	CSA	IEC	DIN	UL	CSA	IEC	DIN
0,5-10 mm <sup>2</sup>			24-8 AWG		24-8 AWG	20-6 AWG		18-6 AWG	2,5-25 mm <sup>2</sup>		14-4 AWG	14-4 AWG
0,5-6 mm <sup>2</sup>		Stranded wire	24-8 AWG		24-8 AWG	20-6 AWG		18-6 AWG	2,5-16 mm <sup>2</sup>		14-4 AWG	14-4 AWG

**Short circuit current**

720A/1s				1200A/1s				1920A/1s				
---------	--	--	--	----------	--	--	--	----------	--	--	--	--

**Rated wire size / Gauge**

6 mm <sup>2</sup> / A5		8 AWG	8 AWG	10 mm <sup>2</sup> / B6		6 AWG	6 AWG	16 mm <sup>2</sup> / B7		4 AWG	4 AWG	4 AWG
------------------------	--	-------	-------	-------------------------	--	-------	-------	-------------------------	--	-------	-------	-------

**Other characteristics**

Wirestripping length	Recomm. screwdriver	Recomm. torque	Protection	Wire stripping length	Recomm. screwdriver	Recomm. torque	Protection	Wirestripping length	Recomm. screwdriver	Recomm. torque	Protection
12 mm .47"	4-5 mm .157"-.197"	0,8-1 Nm 7.1-8.9 lb.in	IP 20 NEMA 1	12 mm .47"	5,5-6 mm .217"-.238"	1,2-1,4 Nm 10.6-12.3 lb.in	IP 20 NEMA 1	14 mm .55"	5,5 mm .22"	1,2-1,4 Nm 10.6-12.3 lb.in	IP 10

**Approvals**



**Accessories**

	Type	Part number	Type	Part number	Type	Part number
1 End section yellow	<b>FEM6</b>	th. 2,8 mm <b>0103 062.21</b>	<b>FEM6</b>	th. 2,8 mm <b>0103 062.21</b>	<b>FEM12</b>	th. 3 mm <b>0103 065.24</b>
2 Separator end section grey	<b>SCF6</b>	th. 3 mm <b>0118 707.03</b>	<b>SCF6</b>	th. 3 mm <b>0118 707.03</b>	<b>SCF12</b>	th. 3 mm <b>0113 102.10</b>
R See markers marking method	(11) (12) (17)		(11) (12) (17) (26)		(11) (17) (26)	

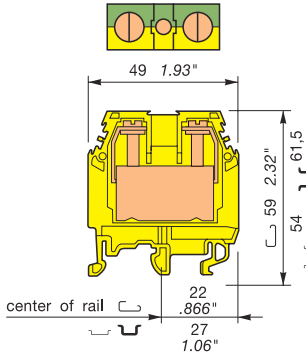
**Ground terminal blocks**  
**not electrically connected**  
**to the mounting rail**  
**(isolated ground)**

**Compression clamp**  
 DIN 1 - 3

For other terminal block accessories, see Product Guide pages for standard blocks of the same size.

**M 35/16.PI**

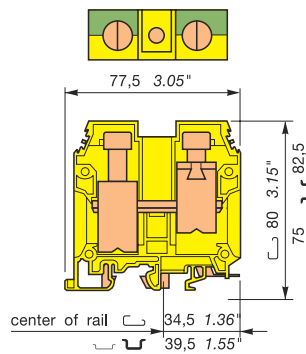
Spacing 16 mm - 0,1 .630"



Type	Part number
Yellow body with green strip on the top	
<b>M 35/16.PI</b>	<b>0165 454.24</b>

**M 70/22.PI**

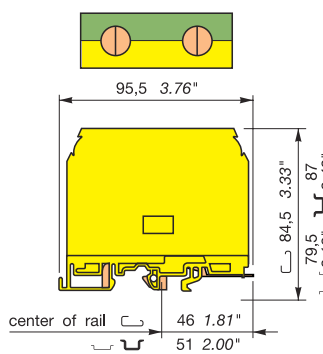
Spacing 22 mm - 0,1 .866"



Type	Part number
Yellow body with green strip on the top	
<b>M 70/22.PI</b>	<b>0165 596.13</b>

**M 95/26.PI**

Spacing 26 mm - 0,1 1.02"



Type	Part number
Yellow body with green strip on the top	
<b>M 95/26.PI</b>	<b>0165 556.22</b>

**Characteristics**

Wire size	Compression clamp	Solid wire	M 35/16.PI			M 70/22.PI			M 95/26.PI				
			IEC	DIN	UL	CSA	IEC	DIN	UL	CSA	IEC	DIN	UL
1-50 mm <sup>2</sup>			16-0 AWG		16-0 AWG	16-95 mm <sup>2</sup>		4-00 AWG	4-00 AWG	35-120 mm <sup>2</sup>		2/0000 AWG	2/000 AWG max.
1-35 mm <sup>2</sup>		Stranded wire	16-2 AWG		16-2 AWG	16-70 mm <sup>2</sup>		4-00 AWG	4-00 AWG	35-95 mm <sup>2</sup>			

**Short circuit current**

4200A/1s				8400A/1s				11400A/1s				
----------	--	--	--	----------	--	--	--	-----------	--	--	--	--

**Rated wire size / Gauge**

35 mm <sup>2</sup> / B9		0 AWG	0 AWG	70 mm <sup>2</sup> / B11		00 AWG	00 AWG	95 mm <sup>2</sup> / B12		0000 AWG	000 AWG	000 AWG
-------------------------	--	-------	-------	--------------------------	--	--------	--------	--------------------------	--	----------	---------	---------

**Other characteristics**

Wirestripping length	Recomm. screwdriver	Recomm. torque	Protection	Wire stripping length	Recomm. screwdriver	Recomm. torque	Protection	Wirestripping length	Recomm. screwdriver	Recomm. torque	Protection
17 mm .669"	6,5-7 mm .255"-.276"	2,8-3 Nm 24.3-26.1 lb.in	IP 10	25 mm .98"	6 flats 6 mm 6 mm .236" Allen Key	6-7 Nm 52-61 lb.in	IP 10	26 mm 1.02"	6 flats 6 mm 6 mm .236" Allen Key	8,5-9,5 Nm 74-83 lb.in	IP 20 NEMA 1

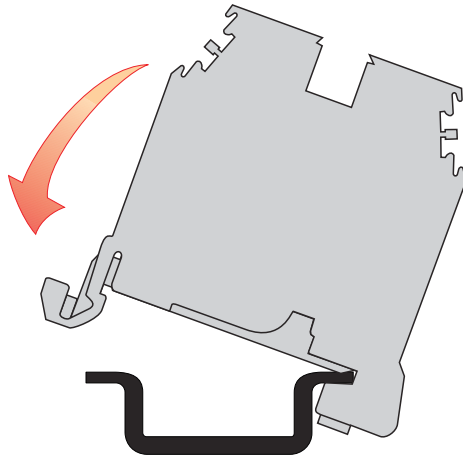
**Approvals**



**Accessories**

	Type	Part number	Type	Part number	Type	Part number
1 End section yellow	<b>FEM16</b>	th. 3 mm <b>0103 061.20</b>	<b>FEM22</b>	th. 3 mm <b>0103 881.14</b>	<b>Closed block</b>	
2 Separator end section grey	<b>SCF16</b>	th. 3 mm <b>0113 101.17</b>	<b>SCF22</b>	th. 3 mm <b>0113 851.16</b>		
R See markers marking method	(11) (13) (17) (26)		(11) (17) (26)		(11) (17) (26)	

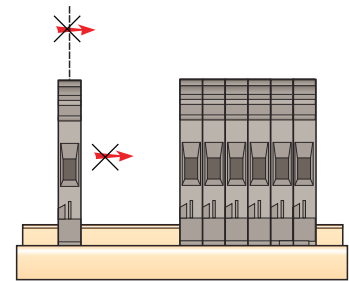
## How to snap ground terminal blocks on to the mounting rail.



Snap the block on the mounting rail

One step process saves time and labor. Simply snap terminal block on rail. Bottom plate of block makes positive and secure contact with the rail. No additional screw tightening required. Center slot, at the top of the terminal block, provides access for easy jumpering of multiple blocks.

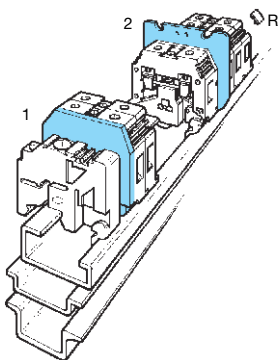
The snap-on terminal blocks cannot slide on the mounting rail. Sliding will damage the electrical connection.



### Ground terminal blocks electrically connected to the mounting rail

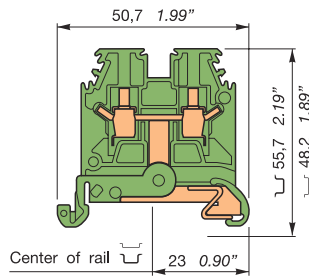
#### Compression clamp

DIN 3



#### D 2,5/5.P

Spacing 5 mm - 0,08 .200"



Mounting on rail by spring.

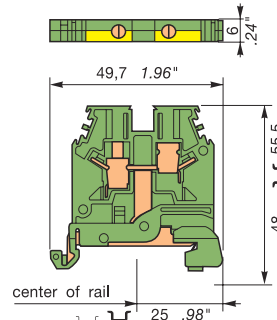
Type	Part number
Green body / yellow marking	
<b>D 2,5/5.P</b>	<b>0165 909.05</b>

IEC	UL	CSA
NFC DIN		
0,2-4 mm <sup>2</sup>	24-12 AWG	24-12 AWG
0,22-2,5 mm <sup>2</sup>	24-12 AWG	24-12 AWG
300 A/1s		

Wire stripping length	Recomm. screwdriver	Recomm. torque	Protection
10 mm .39"	3,5 mm .14"	0,4-0,6 Nm 3,5-5,3 lb.in	

#### D 4/6.P

Spacing 6 mm + 0,05 .238"



Type	Part number
Green-yellow	
<b>D 4/6.P</b>	<b>0165 809.01</b>
<b>D 4/6.P.V0</b>	<b>0299 838.04</b>

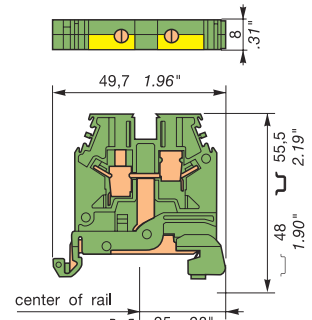
Terminal block for ground wire, same size as **M 4/6** terminal block.

IEC	UL	CSA
NFC-DIN		
0,2-4 mm <sup>2</sup>	24-10 AWG	24-10 AWG
0,22-4 mm <sup>2</sup>	24-10 AWG	24-10 AWG
480A/1s		

Wire stripping length	Recomm. screwdriver	Recomm. torque	Protection
9,5 mm .37"	4 mm .16"	0,5-0,8 Nm 4,4-7 lb.in	

#### D 6/8.P

Spacing 8 mm - 0,05 .315"



Type	Part number
Green-yellow	
<b>D 6/8.P</b>	<b>0165 830.21</b>
<b>D 6/8.P.V0</b>	<b>0199 553.22</b>

Terminal block for ground wire, same size as **M 6/8** terminal block.

IEC	UL	CSA
NFC-DIN		
0,2-10 mm <sup>2</sup>	24-8 AWG	24-8 AWG
0,22-6 mm <sup>2</sup>	24-8 AWG	24-8 AWG
720A/1s		

Wire stripping length	Recomm. screwdriver	Recomm. torque	Protection
12 mm .47"	4-5 mm .16" - .20"	0,8-1 Nm 7,1-8,9 lb.in	

#### Characteristics

Wire size	Compression clamp	Solid wire	Stranded wire
		0,2-4 mm <sup>2</sup>	0,22-2,5 mm <sup>2</sup>

Short circuit current 300 A/1s

Rated wire size / Gauge 2,5 mm<sup>2</sup> / A3 12 AWG 12 AWG

#### Other characteristics

Wire stripping length	Recomm. screwdriver	Recomm. torque	Protection
10 mm .39"	3,5 mm .14"	0,4-0,6 Nm 3,5-5,3 lb.in	

#### Approvals

#### Accessories

1	Type	Part number
End section yellow	<b>FEM6</b>	th. 2,8 mm <b>0103 062.21</b>
	<b>FEM6 V0</b>	th. 2,8 mm <b>0199 305.02</b>
2 Separator end section grey	<b>SCF6</b>	th. 3,0 mm <b>0118 707.03</b>

On rail : Recomm.screwdriver/Recomm.torque

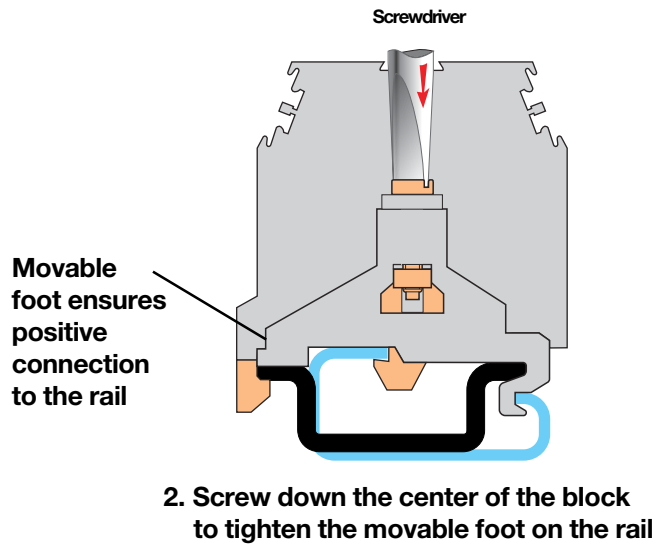
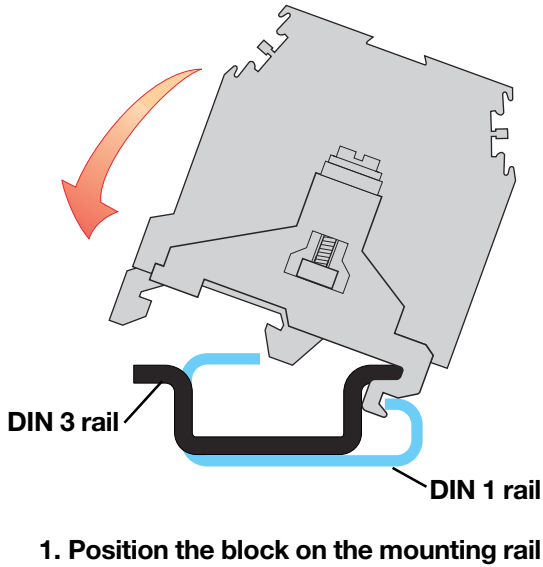
R See markers marking method

(10) on the side, RC510 only on the top

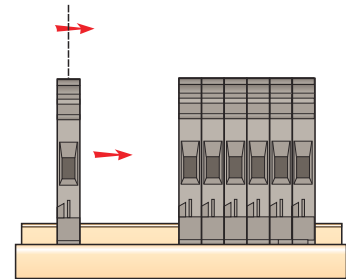
(11) (12)

(11) (12)

# How to connect ground terminal blocks electrically to the mounting rail



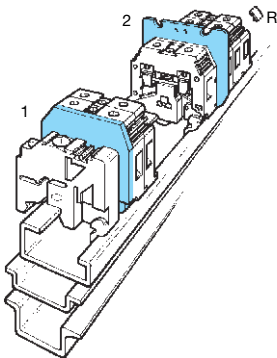
Blocks can slide on the rail before tightening.



## Ground terminal blocks electrically connected to the mounting rail

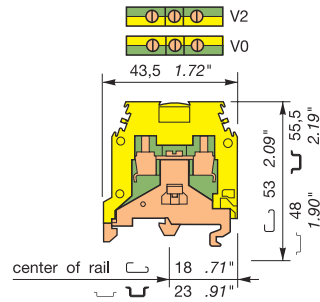
### Compression clamp

DIN 1 - 3



### MA 2,5/5.P

Spacing 5 mm + 0,08 .200"



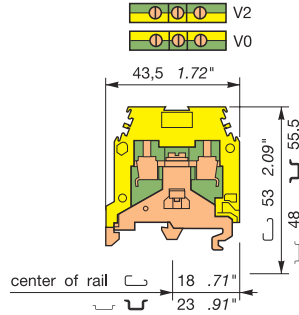
Type Part number

Green-yellow	
MA 2,5/5.P	0165 488.27
MA 2,5/5.P.V0	0195 488.16

Terminal block for ground wire, same size as MA 2,5/5 terminal block.

### M 4/6.P

Spacing 6 mm + 0,05 .238"



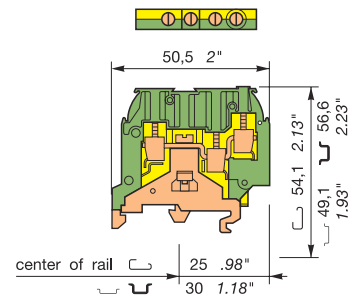
Type Part number

Green-yellow	
MA 4/6.P	0165 113.16
MA 4/6.P.V0	0195 113.05

Terminal block for ground wire, same size as M 4/6 terminal block.

### M 4/6.3A.P

Spacing 6 mm + 0,05 .238"



Type Part number

Green-yellow - UL 94 V0	
M 4/6.3A.P.V0	0195 637.12

Terminal block for ground wire, same size as M 4/6.3A terminal block.

### Characteristics

Wire size	Compression clamp	Solid wire	MA 2,5/5.P			M 4/6.P			M 4/6.3A.P		
			IEC	UL	CSA	IEC	UL	CSA	IEC	UL	CSA
0,2-4 mm <sup>2</sup>			24-12 AWG	24-12 AWG	24-12 AWG	22-12 AWG	22-12 AWG	22-12 AWG	22-10 AWG	12 AWG max.	
0,22-2,5 mm <sup>2</sup>		Stranded wire	24-12 AWG	24-12 AWG	24-12 AWG	22-12 AWG	22-12 AWG	22-12 AWG	22-10 AWG	12 AWG max.	
Short circuit current			300A/1s			480A/1s			480A/1s		
Rated wire size / Gauge			2,5 mm <sup>2</sup> /A3	12 AWG	12 AWG	4 mm <sup>2</sup> /A4	12 AWG	12 AWG	4 mm <sup>2</sup> /A4	10 AWG 12 AWG	
Other characteristics			Wirestripping length	Recomm. screwdriver	Recomm. torque	Protection	Wirestripping length	Recomm. screwdriver	Recomm. torque	Protection	
			10 mm .39"	3,5 mm .14"	0,4-0,6 Nm 3,5-5,3 lb.in		9,5 mm .37"	4 mm .16"	0,5-0,8 Nm 4,4-7 lb.in		

Approvals:

### Accessories

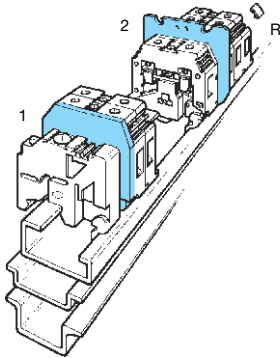
	Type	Part number	Type	Part number	Type	Part number
1 End section	yellow	FEM6 th. 2,8 mm 0103 062.21	FEM6 th. 2,8 mm	0103 062.21	FEM3AP V0 green th.3 mm	0199 876.26
	yellow	FEM6 V0 th. 2,8 mm 0199 305.02	FEM6 V0 th. 2,8 mm	0199 305.02		
2 Separator end section	grey	SCF6 th. 3 mm 0118 707.03	SCF6 th. 3 mm	0118 707.03		
On rail : Recomm.screwdriver/Recomm.torque		3,5 mm .14" / 0,6 Nm 5.5 lb.in		4 mm .16" / 0,8 Nm 7.0 lb.in		4 mm .16" / 0,8 Nm 7.0 lb.in
R See markers	marking method	(10) (12)	(11) (12)		(11) (12)	



**Ground terminal blocks electrically connected to the mounting rail**

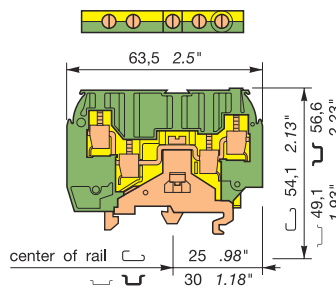
**Compression clamp**

DIN 1 - 3



**M 4/6.4A.P**

Spacing 6 mm + 0,05 .238"



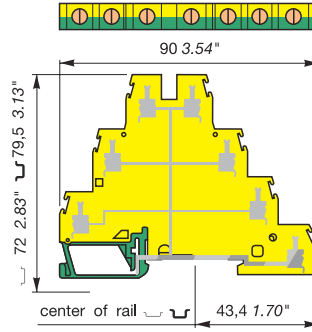
Type Part number

Green-yellow - UL 94 V0  
**M 4/6.4A.P.V0** 0195 638.23

Terminal block for ground wire, same size as **M 4/6.4A** terminal block.

**D 4/6.P.T1**

Spacing 6 mm + 0,05 .238"



Type Part number

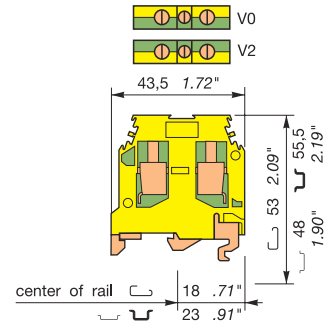
Green-yellow - UL 94 V0  
**D 4/6.P.T1** 0199 220.00

**DIN 3 only**

Terminal block for ground wire, same size as **D 4/6.T...** terminal block.

**M 6/8.P**

Spacing 8 mm - 0,05 .315"



Type Part number

Green-yellow  
**M 6/8.P** 0165 114.17  
**M 6/8.P.V0** 0195 114.06

Terminal block for ground wire, same size as **M 6/8** terminal block.

**Characteristics**

Wire size	Compression clamp	Solid wire	IEC NFC-DIN	UL	CSA
		Stranded wire	0,2-4 mm <sup>2</sup>	22-10 AWG	12 AWG max.

IEC NFC-DIN	UL	CSA
0,2-4 mm <sup>2</sup>	22-10 AWG	12 AWG max.
0,22-4 mm <sup>2</sup>	22-10 AWG	12 AWG max.

IEC NFC-DIN	UL	CSA
0,2-4 mm <sup>2</sup>	24-10 AWG	24-10 AWG
0,22-4 mm <sup>2</sup>	24-10 AWG	24-10 AWG

IEC NFC-DIN	UL	CSA
0,5-10 mm <sup>2</sup>	24-8 AWG	24-8 AWG
0,5-6 mm <sup>2</sup>	24-8 AWG	24-8 AWG

Short circuit current 480A/1s

4 mm<sup>2</sup>/A4 10 AWG 12 AWG

4 mm<sup>2</sup>/A4 10 AWG 10 AWG

6 mm<sup>2</sup>/A5 8 AWG 8 AWG

Rated wire size / Gauge

4 mm<sup>2</sup>/A4 10 AWG 12 AWG

4 mm<sup>2</sup>/A4 10 AWG 10 AWG

6 mm<sup>2</sup>/A5 8 AWG 8 AWG

**Other characteristics**

Wire stripping length	Recomm. screwdriver	Recomm. torque	Protection
9,5 mm .37"	4 mm .16"	0,5-0,8 Nm 4,4-7 lb.in	

Wire stripping length	Recomm. screwdriver	Recomm. torque	Protection
9,5 mm .37"	4 mm .16"	0,5-0,8 Nm 4,4-7 lb.in	IP 20 NEMA 1

Wire stripping length	Recomm. screwdriver	Recomm. torque	Protection
12 mm .47"	4-5 mm .16" - .20"	0,8-1 Nm 7,1-8,9 lb.in	

**Approvals**



**Accessories**

Type Part number

1 End section yellow **FEM4AP V0** green th. 3 mm 0199 879.01

2 Separator end section yellow grey

On rail : Recomm.screwdriver/Recomm.torque 4 mm .16" / 0,8 Nm 7.0 lb.in

R See markers marking method (1) (2)

Type Part number

closed block

RC65 (5)

Type Part number

FEM6 th. 2,8 mm 0103 062.21

FEM6 V0 th. 2,8 mm 0199 305.02

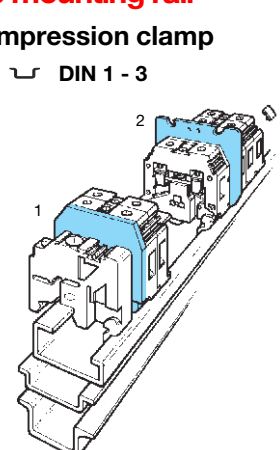
SCF6 th. 3 mm 0118 707.03

4 mm .16" / 0,8 Nm 7.0 lb.in (1) (2)

**Ground terminal blocks electrically connected to the mounting rail**

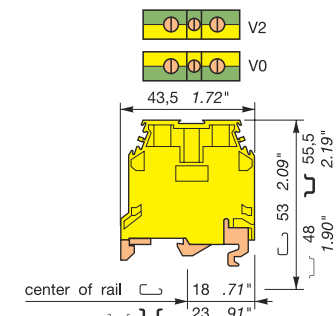
**Compression clamp**

DIN 1 - 3



**M 10/10.P**

Spacing 10 mm - 0,05 .394"



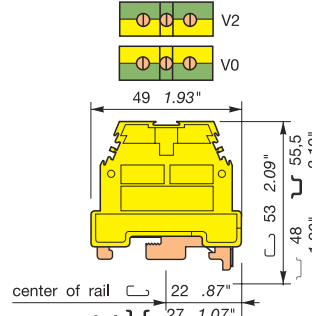
Type Part number

Green-yellow  
**M 10/10.P** 0165 115.10  
**M 10/10.P.V0** 0195 115.07

Terminal block for ground wire, same size as **M 10/10** terminal block.

**M 16/12.P**

Spacing 12 mm - 0.1 .473"



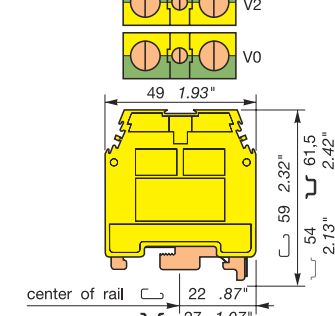
Type Part number

Green-yellow  
**M 16/12.P** 0165 130.23  
**M 16/12.P.V0** 0195 130.12

Terminal block for ground wire, same size as **M 16/12** terminal block.

**M 35/16.P**

Spacing 16 mm - 0.1 .630"



Type Part number

Green-yellow  
**M 35/16.P** 0165 111.14  
**M 35/16.P.V0** 0195 111.03

Terminal block for ground wire, same size as **M 35/16** terminal block

**Characteristics**

Wire size	Compression clamp	Solid wire	IEC NFC-DIN	UL	CSA
		Stranded wire	0,5-16 mm <sup>2</sup>	22-6 AWG	22-6 AWG

IEC NFC-DIN	UL	CSA
0,5-16 mm <sup>2</sup>	22-6 AWG	22-6 AWG
0,5-10 mm <sup>2</sup>	22-6 AWG	22-6 AWG

IEC NFC-DIN	UL	CSA
4-25 mm <sup>2</sup>	18-4 AWG	18-4 AWG
4-16 mm <sup>2</sup>	18-4 AWG	18-4 AWG

IEC NFC-DIN	UL	CSA
4-50 mm <sup>2</sup>	10-0 AWG	10-0 AWG
4-35 mm <sup>2</sup>	10-0 AWG	10-0 AWG

Short circuit current 1200A/1s

10 mm<sup>2</sup>/B6 6 AWG 6 AWG

16 mm<sup>2</sup>/B7 4 AWG 4 AWG

35 mm<sup>2</sup>/B9 0 AWG 0 AWG

Rated wire size / Gauge

10 mm<sup>2</sup>/B6 6 AWG 6 AWG

16 mm<sup>2</sup>/B7 4 AWG 4 AWG

35 mm<sup>2</sup>/B9 0 AWG 0 AWG

**Other characteristics**

Wire stripping length	Recomm. screwdriver	Recomm. torque	Protection
12 mm .47"	5,5-6 mm .22" - .24"	1,2-1,4 Nm 10,6-12,3 lb.in	

Wire stripping length	Recomm. screwdriver	Recomm. torque	Protection
14 mm .55"	5,5 mm .22"	1,2-1,4 Nm 10,6-12,3 lb.in	

Wire stripping length	Recomm. screwdriver	Recomm. torque	Protection
17 mm .67"	8 mm .32"	2,8-3 Nm 24,3-26,1 lb.in	

**Approvals**



**Accessories**

Type Part number

1 End section yellow closed block

2 Separator end section grey **SCFM6** th. 3 mm 0114 825.05

On rail : Recomm.screwdriver/Recomm.torque 4 mm .16 / 0,8 Nm 7.0 lb.in

R See markers marking method (12) (17) (26)

Type Part number

closed block

**SCFM6** th. 3 mm 0114 825.05

5,5 mm .22" / 1,0 Nm 9.0 lb.in

(12) (17) (26)

Type Part number

closed block

**SCFM6** th. 3 mm 0114 825.05

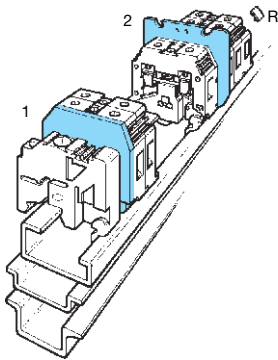
5,5 mm .22" / 1,0 Nm 9.0 lb.in

(13) (17) (26)

**Ground terminal blocks electrically connected to the mounting rail**

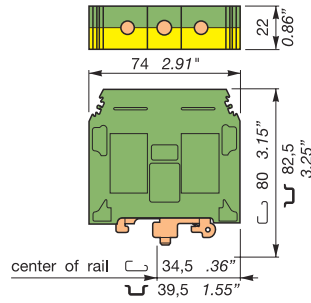
**Compression clamp**

DIN 1 - 3 (37,5x15)



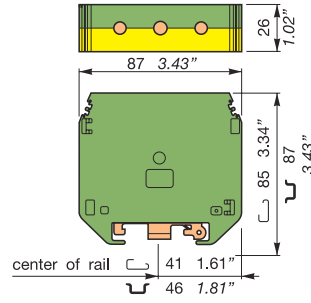
**M 70/22.P**

Spacing 22 mm -0,1 .866"



**M 95/26.P**

Spacing 26 mm -0,1 1.02"



Type Part number

Green-Yellow  
M 70/22.P 0399 024.23

Type Part number

Green-Yellow  
M 95/26.P 0399 176.00

**Characteristics**

Wire size	Compression clamp	Solid wire	IEC			UL			CSA					
			NFC-DIN	UL	CSA	NFC-DIN	UL pending	CSA pending	NFC-DIN	UL pending	CSA pending			
16-95 mm <sup>2</sup>			16-95 mm <sup>2</sup>	6-000 AWG	6-000 AWG	35-120 mm <sup>2</sup>	0000 AWG	0000 AWG	16-70 mm <sup>2</sup>	6-000 AWG	6-000 AWG	35-95 mm <sup>2</sup>		
16-70 mm <sup>2</sup>			8400A/1s	6600A/1s	6600A/1s	11400A/1s			8400A/1s	6600A/1s	6600A/1s	11400A/1s		
Short circuit current			8400A/1s	6600A/1s	6600A/1s	11400A/1s			8400A/1s	6600A/1s	6600A/1s	11400A/1s		
Rated wire size / Gauge			70 mm <sup>2</sup> /A11	000 AWG	000 AWG	95 mm <sup>2</sup> /B12	0000 AWG	0000 AWG	70 mm <sup>2</sup> /A11	000 AWG	000 AWG	95 mm <sup>2</sup> /B12	0000 AWG	0000 AWG

**Other characteristics**

Wire stripping length	Recomm. screwdriver	Recomm. torque	Protection	M 70/22.P				M 95/26.P							
				Wire stripping length	Recomm. screwdriver	Recomm. torque	Protection	Wire stripping length	Recomm. screwdriver	Recomm. torque	Protection				
25 mm .98"	six flats 6 mm 6 mm .236" Allen Key	11.5 Nm 100 lb.in	IP 20	25 mm .98"	six flats 6 mm 6 mm .236" Allen Key	11.5 Nm 100 lb.in	IP 20	26 mm 1.02"	six flats 6 mm 6 mm .236" Allen Key	8.5-9.5 Nm 74-83 lb.in	IP 20	26 mm 1.02"	six flats 6 mm 6 mm .236" Allen Key	8.5-9.5 Nm 74-83 lb.in	IP 20

**Approvals**



**Accessories**

	Type	Part numbers	Type	Part numbers
1 End section yellow		closed block		closed block
2 Separator end section grey				
R See markers marking method	(26)		(26)	

**Ground + neutral terminal blocks**

**Ground connected to the mounting rail and linked with a neutral block**

**Compression clamp**

DIN 1 - 3

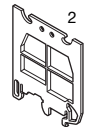
End stop	th. 9,0 mm	<b>BADL V0</b>	<b>0199 408.02</b>
End stop	th. 9,1 mm	<b>BAM</b>	<b>0103 002.26</b>
<i>Other end stops : See Accessories section</i>			
Rail	35 x 7,5 x 1	<b>PR30</b> prepunched	<b>0173 220.05</b>
Rail	35 x 15 x 2,3	<b>PR4</b>	<b>0168 500.12</b>
Rail	35 x 15 x 1,5	<b>PR5</b> prepunched	<b>0101 598.26</b>
Rail	32 x 15	<b>PR1Z2</b>	<b>0163 050.04</b>
<i>Other rails : See Accessories section</i>			
<i>Other accessories : See Accessories section</i>			

**Notes**

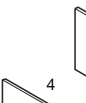
**For ground blocks, connection with mounting rail :**

	Recomm. screwdriver	Recomm. torque
M 10/10.PE.N	4 mm .16"	0,8 Nm 7.1 lb.in
M 16/12.PE.N	5,5 mm .22"	1 Nm 8.8 lb.in

**Accessories**



- 1 End section
- 2 Separator end section grey
- 3 Separator end section grey
- 4 Separator end section grey



3



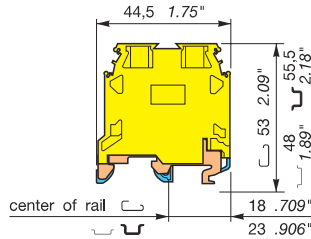
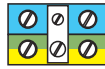
4



**R** See section on markers marking method

**M 10/10.PE.N**

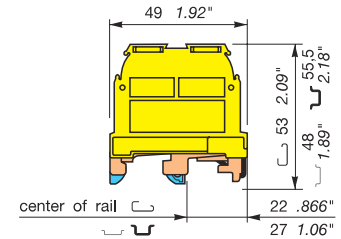
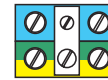
Spacing 20 mm - 0,2 (.787")



M 10/10.P block connected to M 10/10.N block through a removable jumper.

**M 16/12.PE.N**

Spacing 24 mm - 0,2 (.945")



M 16/12.P block connected to M 16/12.N block through a removable jumper.

Color	Type	Part numbers	Color	Type	Part numbers
Green-yellow/blue body	<b>M 10/10.PE.N</b>	<b>0165 683.22</b>	Green-yellow/blue body	<b>M 16/12.PE.N</b>	<b>0165 680.03</b>

**Characteristics**

Wire size	IEC		UL	CSA
	NFC	DIN		
Compression Solid wire	0,5 to 16 mm <sup>2</sup>			
clamp Stranded wire	0,5 to 10 mm <sup>2</sup>			

**Characteristics**

Wire size	IEC		UL	CSA
	NFC	DIN		
Compression Solid wire	2,5 to 25 mm <sup>2</sup>			
clamp Stranded wire	2,5 to 16 mm <sup>2</sup>			

Voltage				Voltage			
Rated	630V			Rated	800 V		
Pulse	8 kV			Pulse	8 kV		
Pollution degree	3			Pollution degree	3		
Current				Current			
Rated	57 A			Rated	76 A		
Short-circuit	1200 A/1s			Short-circuit	1920 A/1s		
Wire size				Wire size			
Rated / Gauge	10 mm <sup>2</sup> /B6			Rated / Gauge	16 mm <sup>2</sup> /B7		
Wire stripping length	Recomm. screwdriver	Recomm. torque	Protection	Wire stripping length	Recomm. screwdriver	Recomm. torque	Protection
12 mm .47"	5,5 mm .22"	1,2-1,4 Nm 10.6-12.3 lb.in		14 mm .55"	5,5 mm .22"	1,2-1,4 Nm 10.6-12.3 lb.in	

Type	Part numbers			Type	Part numbers		
	Closed terminal block				Closed terminal block		
<b>SCFM6</b>	(1)	th. 3,0 mm	<b>0114 825.05</b>		th.		
<b>SCFEX1</b>	(1)	th. 2,4 mm	<b>0103 619.04</b>		th.		
<b>SCFEX3</b>	(1)	th. 2,4 mm	<b>0103 620.01</b>		th.		

Note : (1) End sections and separators snapped on rails.



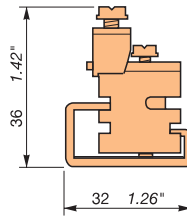
## Ground terminal block

### Compression clamp

☐ DIN 1 (EN 50035, DIN 46277/1, NFL 63018)

## E 10/13.P

Spacing 13 mm .512"



Type	Part number	Type	Part numbers
------	-------------	------	--------------

1 compression clamp  
Can also be used as end stop

**E 10/13.P**      **0162 855.23**

### Characteristics

Wire size	Compression clamp	Solid wire Stranded wire	NFC	DIN	UL	CSA	NFC	DIN	UL	CSA
			0-16 mm <sup>2</sup>		16-8 AWG					
			0-10 mm <sup>2</sup>		16-8 AWG					

Rated current	A	85								
Rated wire size	mm <sup>2</sup> /AWG	10 mm <sup>2</sup>	8 AWG							

Other characteristics	Wire stripping length (screw)	Recomm. screwdriver	Recomm. torque	Protection	Wire stripping length (screw)	Recomm. screwdriver	Recomm. torque	Protection
		12 mm .47"	6.5 mm .25"					

### Accessories

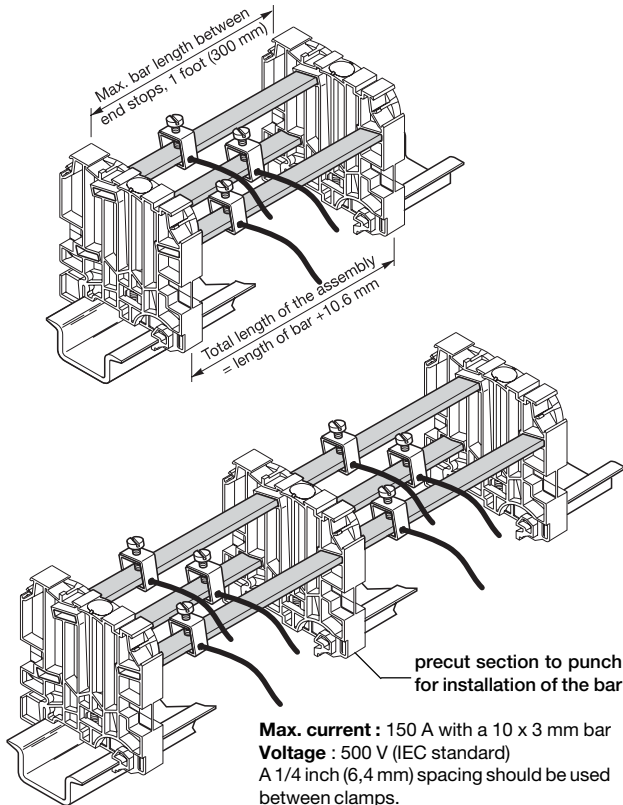
Type	Part numbers	Type	Part numbers
1 Rail ☐ 32 x 15	<b>PR1 Z2</b>		<b>0163 050.04</b>
2 Label with symbol "ground"	<b>IDTBM</b>		<b>0167 357.04</b>

## Distribution of polarities

If the distribution bar is longer than 1 foot (300 mm), use an intermediate end stop for support. In this case, the precut bar passages need to be punched out of the end stop.

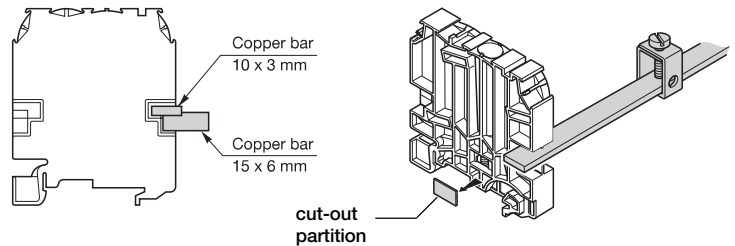
Grey ☐	<b>BADH</b>	<b>0116 900.27</b>
Grey ☐	<b>BAEH</b>	<b>0116 934.04</b>

Description	Types	Part numbers
Copper bar	<b>BO3</b> 10 x 3 mm	<b>0164 406.24</b>
Wire clamp	<b>SFB1</b> 20-2 AWG (0.5-35 mm <sup>2</sup> )	<b>0163 860.05</b>
Wire clamp	<b>SFB2</b> 6-2 AWG (16-35 mm <sup>2</sup> )	<b>0168 956.06</b>

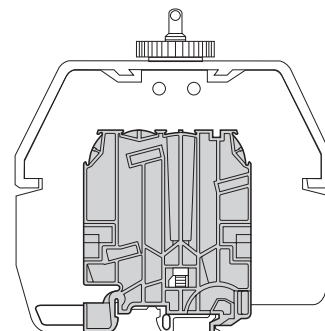


This end stop is also recommended :

1 - For use with neutral switch blocks series "NT"



2 - For use with separators SCFCV4 with protection cover

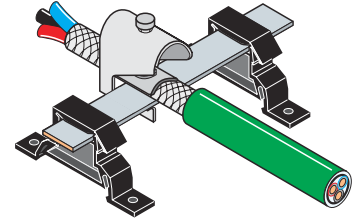
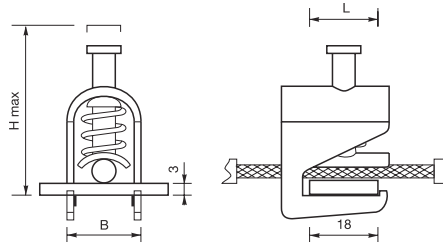


## Connection with 18 x 3 mm collector bar

 DIN 3

### Shield terminals for collector bar

- Mounting on 18 x 3 mm collector bar
- Easy shield connection to a collector bar
- Brass with nickel coating clamp with a steel spring to make contact without damaging the shield
- Shield terminals available in 4 versions (shield diameter from 1,5 to 24 mm)
- Not designed for wire connection
- Mounting : place the shield of the stripped cable on the collector bar. Hold the terminal on the shield, press and snap the terminal onto the collector bar. As soon as the terminal is released, contact is made on the bar through the spring pressure.

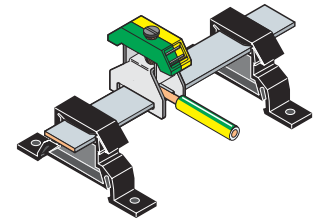
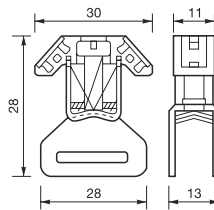


### Characteristics

Shield diameter	B (mm)	L (mm)	H max (mm)	Spring force (N)	Description	P/N
1,5 - 6,5	10	25	40	8 - 13	SFB.B1	0205 170.14
5 - 11	17	25	47	22 - 31	SFB.B2	0205 171.01
10 - 17	23	25	63	32 - 58	SFB.B3	0205 172.02
16 - 24	30	25	78	37 - 53	SFB.B4	0205 173.03

### Terminals for collector bar

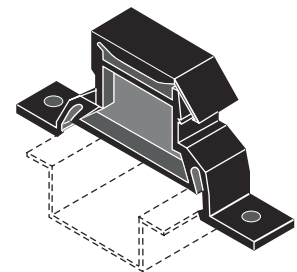
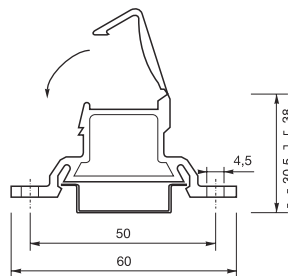
- 35 mm<sup>2</sup> terminal for 18 x 3 mm collector bar.
- Stainless steel clamp and screw
- Insulating part in polyamide 6,6 without halogen
- Ability to print 3 characters per marker
- If a separate ground is required, isolated mounting on rail should be made through a bar holder P/N: 0205 176.06.



**SFB.P**      **0205 174.04**

### Bar holder (isolated from ground)

- To be screwed on plate or snapped onto DIN 3 rail
- Thermoplastic material, black color.

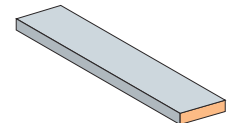
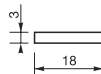


**DSPBO.PI**      **0205 176.06**

### Collector bar

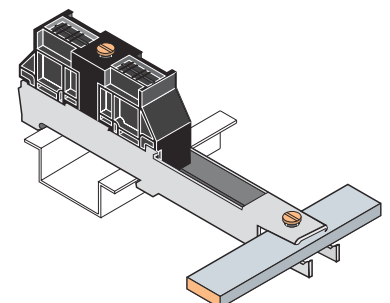
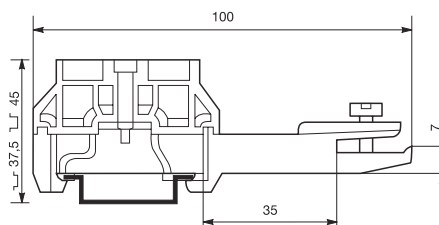
- Electroplated copper with tin coating 18 x 3 x 1000 mm

**BO 318**      **0205 175.05**



### Bar holder (connected to the mounting rail)

- To be snapped onto DIN 3 rail.
- Thermoplastic material, black color.
- Tinned coated steel socket.

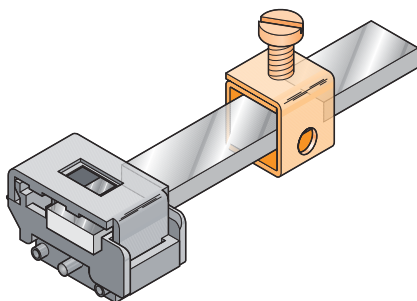


**DSPBO.P**      **0205 177.07**

### Busbar clamp

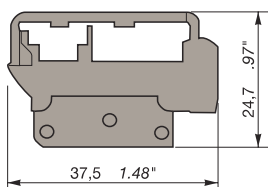
10 x 3 or 6 x 6 or 15 x 6 mm  
.34 x .12 or .23 x .23 or .59 x .23"

DIN 1 - 2 - 3 or panel mount



### SPBO

Spacing 20 mm (.787")



Color	Type	Part number
Reversible grey clamp	SPBO	0114 712.13

### Characteristics

Wire size	NFC	DIN	UL	CSA
Compression Solid wire				
clamp Stranded wire				
Neutral bar	see beside			
Voltage				
Rated ~ AC	750 V	Gr.C		
Rated = DC	660 V	Gr.C		
Pollution degree				
Current				
Rated				
Wire size				
Rated / Gauge				
Wire stripping length	Recomm. screwdriver	Recomm. torque	Protection	

Rail	15 x 5	PR2	prepunched	0164 600.12
Rail	35 x 7,5 x 1	PR30	prepunched	0173 220.05
Rail	35 x 15 x 2,3	PR4		0168 500.12
Rail	35 x 15 x 1,5	PR5	prepunched	0101 598.26
Rail	32 x 15	PR1Z2		0163 050.04

### Notes

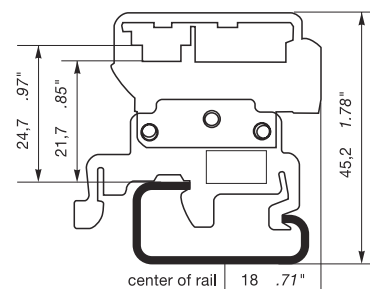
### Accessories

Type	Part numbers
1 Locking foot	ACD13-6 for rail DIN 1 or DIN 3 0113 135.00
2 Busbar	ACD23-6 for rail DIN 2 or DIN 3 0118 005.27
3 Wire clamp	BO3 10x3 mm 0164 406.24 BO6 15x6 mm 0168 417.22 SFB1 for BO3 0163 860.05 SFB2 for BO3 0168 956.06 SFB3 for BO6 0168 690.10

R See section on markers marking method ⑥

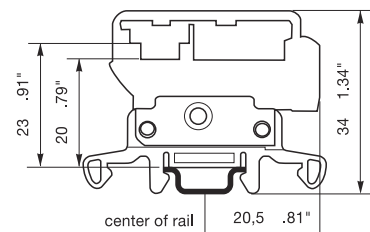
### Mounting on rail PR1 with mounting foot

ACD13-6 0113 135.00 (DIN 1 - DIN 3)



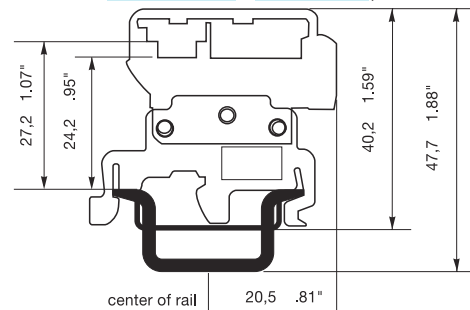
### Mounting on rail PR2 with mounting foot

ACD23-6 0118 005.27 (DIN 2 - DIN 3)

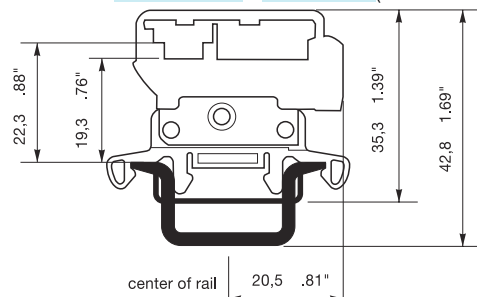


### Mounting on rails PR3, PR30, PR4, PR5

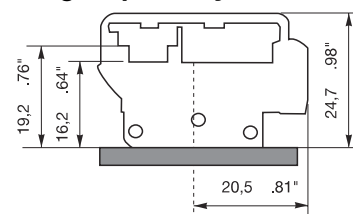
with mount.foot ACD13-6 0113 135.00 (DIN 1 - DIN 3)



with mount.foot ACD23-6 0118 005.27 (DIN 2 - DIN 3)



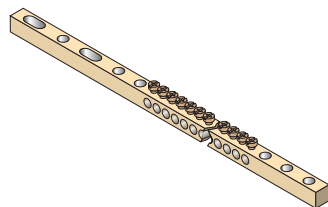
### Mounting on panel by M4 screw



### Various options of placing the busbars on the busbar clamp

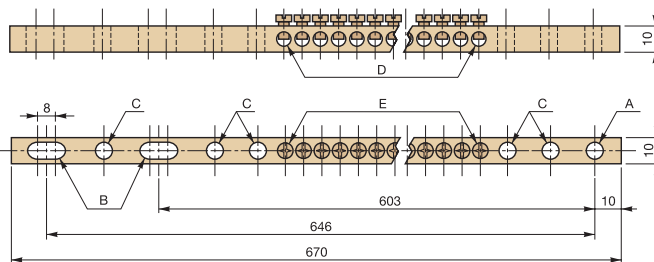
Busbars	BO3 10 x 3	6 x 6	BO6 15 x 6
Option n° 1	X		
Option n° 2		X	
Option n° 3			X
Option n° 4	X		X
Option n° 5		X	X

### Busbar 10 x 10 mm .394 x .394" for ground wire



- A : Ø 6,5 mm
- B : 6,5 x 14,5 mm
- C : Ø 6,5 mm
- D : Ø 5,5 mm
- E : M4 slotted Pozidriv cruciform head screw

### BTI

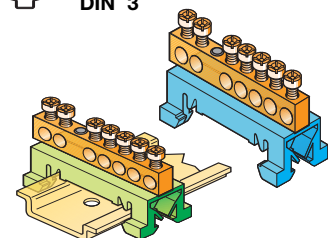


Mounting with screw/nut system - hole type **A** side : Ø 6,5 mm - oblong hole type **B** side : 6,5 x 14,5 mm  
 Connections :  
 5 holes type **C** : Ø 6,5 mm for solid/stranded cables screw/nuts connection system  
 74 holes type **D** : Ø 5,5 mm for solid/stranded cables screw/nuts connection system  
 secured by 74 screws type **E** : slotted Pozidriv cruciform head

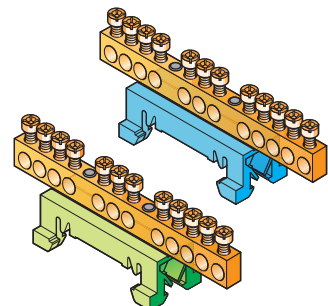
Type	P/N	Characteristics	IEC	UL	CSA
BTI	0179 839.04	Rated current Wire size - Screw - Screw / nut Recommended torque Screw 3 mounting holes : - 2 oblong holes - 1 hole	125 A  74 x 0,75 to 10 mm <sup>2</sup> 5 x Ø 6,5 mm 0,7 Nm slotted Pozidriv cruciform		

### Bars with base for ground wire

DIN 3



7 outputs blue or green base

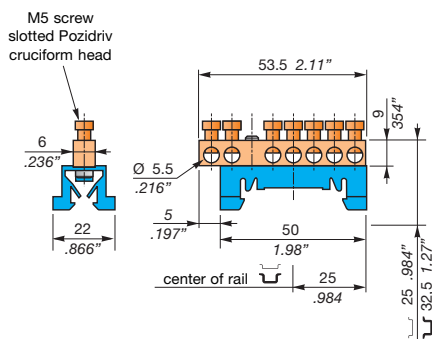


12 outputs blue or green base

- PR30 35 x 7,5 x 1 0173 220.05
  - PR4 35 x 15 x 2,3 0168 500.12
  - PR5 35 x 15 x 1,5 0101 598.26
- Other rails : see Accessories section

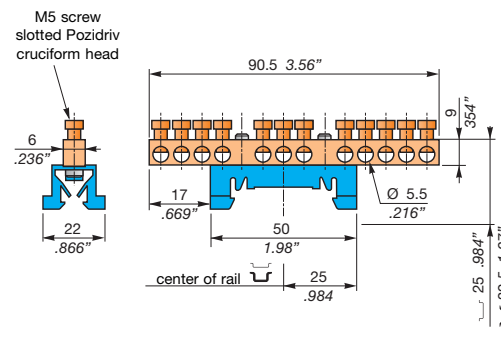
### DBTI

#### 7 outputs



Mounting on DIN 3 rail

#### 12 outputs



Mounting on DIN 3 rail

Type	P/N	Type	P/N	IEC	UL	CSA
7 outputs blue base DBTI	RAU0356 100.15	12 outputs blue base DBTI	RAU0356 102.03	7 outputs 10 mm <sup>2</sup>		
7 outputs green base DBTI	RAU0356 101.02	12 outputs green base DBTI	RAU0356 103.04	12 outputs 10 mm <sup>2</sup>		
				1.5 Nm	13.3 lb.in	13.3 lb.in
				M5	M5	M5

### Characteristics

Connection  
 - Screw clamp  
 - Max. wire size

Torque on screw  
 Screw