

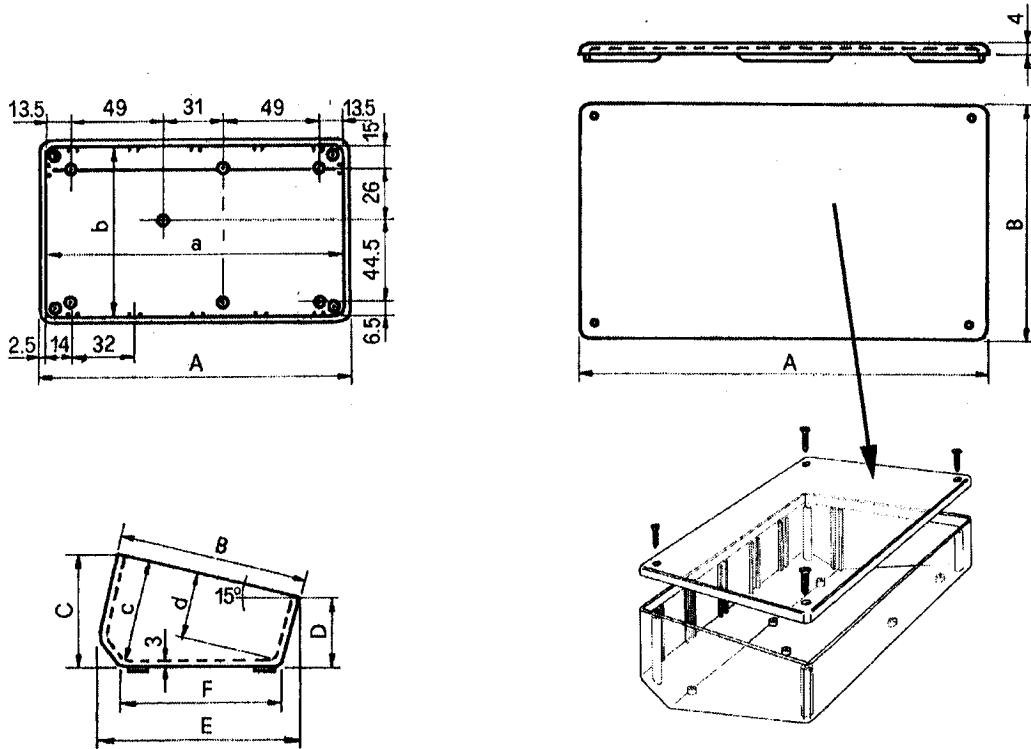
Instrument Cases

Order code	Manufacturer code	Description
30-2020	115P GREY	161X95X63MM SLOPING CASE

Instrument Cases	Page 1 of 3
The enclosed information is believed to be correct, Information may change 'without notice' due to product improvement. Users should ensure that the product is suitable for their use. E. & O. E.	Revision A 04/07/2003

Sloping front cases

Technical Drawing



Specification

Body Material : A.B.S. (Acrylonitrile-Butadiene-Styrene)
 Lid Material : A.B.S. (Acrylonitrile-Butadiene-Styrene)

Dimensions										Weight (g)
External					Internal					
A	B	C	D	E	F	a	b	c	d	
161	95	63	42	103	80.5	156	90	55	37	160

	Units	Standards	ABS
Mechanical Properties			
Impact Resistance	KJ/m ²	ISO 179 / DIN 53453	85
Notch Resistance	KJ/m ²	ISO 179 / DIN 53453	11
Ball indentation hardness H.30	N/mm ²	DIN 53456	100
Modulus of elasticity	KN/mm ²	ISO 178 / DIN 53457	2.6
3.5% bending stress	N/mm ²	ISO 178 / DIN 53452	73
Elongation at tear	%	DIN 53455	25
Thermal Properties			
Heat distortion temperature	°C	DIN 53458 / ISO 75-A / DIN 53461	90
Vicat softening temperature	°C	ISO 306 / DIN 53460	103
Cold distortion temperature	°C		-40
UL combustibility test	Fire classification	UL-Subject 94	HB
Thermal conductivity	W(K • M)	DIN 52612	0.19
Electrical Properties			
Tracking resistance KC/CTI	Stage	IEC 112 / DIN 53480	600
Specific volume resistivity	Ohm • cm	DIN53482 / VDE0303	10 ¹⁵
Dielectric Strength	kV/mm	IEC 243 / DIN 53481	26
Other Properties			
Water absorption	%	DIN 53472 / DIN 53495	0.3