

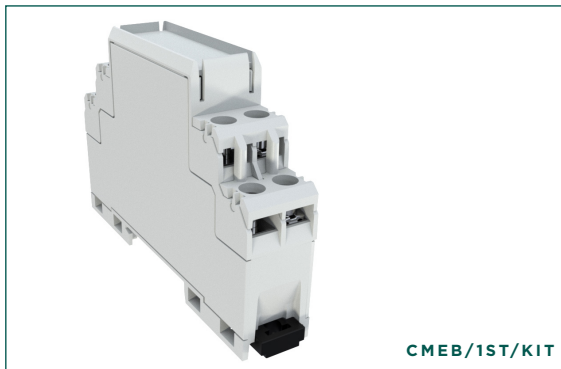


Call our sales team today on 01638 716101

# CMEB Extendable DIN Rail Terminal Enclosure

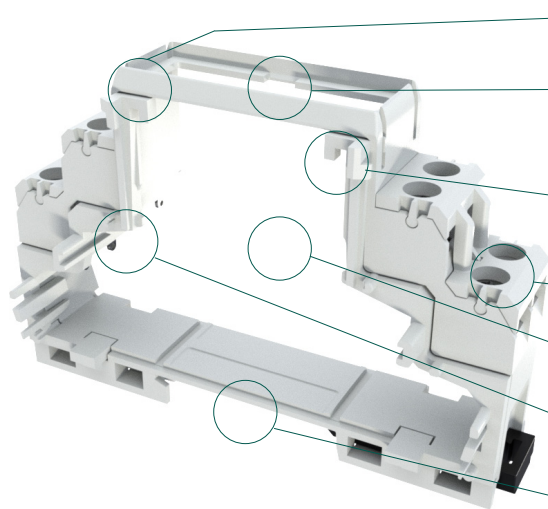
## Product overview

The UK manufactured CMEB Extendable DIN Rail Terminal Enclosure features two removable side panels to offering accessible internal wiring. Unique extension pieces can be used to connect multiple bodies together, providing more poles and wiring options. Internal solder tags offer an effective way of connecting to PCBs or flying wires. Accommodates full size internal PCBs, with the extended version supporting horizontal or vertical PCB's or seperateors between high and low power sides.



CMEB/1ST/KIT

## Key features



### Clip together design

No screws required

### Solid or open top design options

Open Top design capable of interchangeable lids, whilst Solid top creates a pre enclosed housing.

### Vertical and horizontal PCB positions

various assembly methods, e.g. seperate mains/high voltage sides

### M3 screw with 7mm saddle washer

complies with EN60999-1 terminal standards

### Removable side panels

Easy access to the internal space of the enclosure

### Solder tag terminals

For simple and effective termination

### DIN Rail mounting

Fits 35mm top hat DIN rail

## PART NUMBERS (KITS)

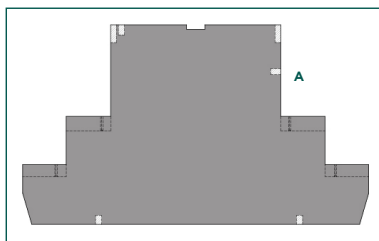
BODY TYPE	PART NUMBER	KIT INCLUDES
SOLID TOP	CMEB/1ST/KIT	1x Solid top body, 2x End panels, 2x Terminal screw covers, 1x black clip, 1x white clip
OPEN TOP CLEAR	CMEB/IPC/KIT	1x Open top body, 2x End panels, 2x Terminal screw covers, 1x Clear top, 1x black clip, 1x white clip
OPEN TOP GREY	CMEB/IPG/KIT	1x Open top body, 2x End panels, 2x Terminal screw covers, 1x Grey top, 1x black clip, 1x white clip
SOLID TOP EXTENSION*	CMEB/1ST/E/KIT	1x Solid top body, 2x Extension arms, 2x Terminal screw covers, 1x white clip
OPEN TOP CLEAR EXTENSION*	CMEB/IPC/E/KIT	1x Open top body, 2x Extension arms, 2x Terminal screw covers, 1x Clear top, 1x white clip
OPEN TOP GREY EXTENSION*	CMEB/IPG/E/KIT	1x Open top body, 2x Extension arms, 2x Terminal screw covers, 1x Grey top, 1x white clip

\*Extension kits to be ordered alongside at least one standard housing e.g. For a 5 way housing please order 4 extension kits and 1 standard housing.

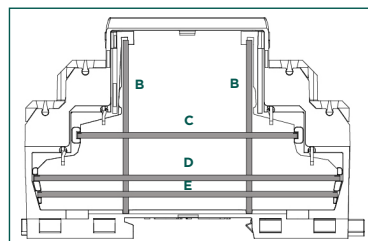
## PCB positions

DIMENSIONS FOR EACH POSITION		
PCB MOUNTING POSITION		MAX PCB DIMENSIONS (LXW)
A	Planer	See technical drawing
B	Vertical	48mm x 14.7mm*
C	Horizontal	60.7mm x 16.5mm*
D	Horizontal	84.7mm x 16.5mm*
E	Horizontal	83mm x 16.5mm*

## Single enclosure



## Extended enclosure



## ACCESSORIES

PART NUMBER	DESCRIPTION
CMEB/BL/8	DIN Rail Terminal Enclosure Terminal Blank Set of 8



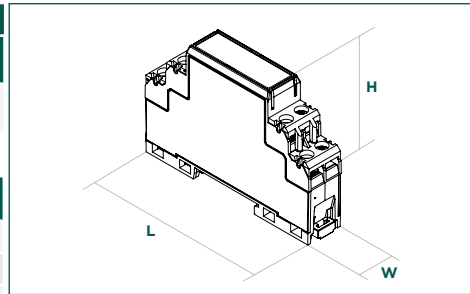


Call our sales team today on 01638 716101

# CMEB Extendable DIN Rail Terminal Enclosure



INDIVIDUAL SIZE DIMENSIONS		
EXTERNAL DIMENSIONS (LXWXH)	INTERNAL DIMENSIONS (LXWXH)	WALL THICKNESS
90mm x 17.86mm x 61.3mm	86mm x 42.4mm x 15.25mm	Enclosure - 1.09mm End Panels - 1.3mm



## RANGE SPECIFICATION

<b>MATERIALS</b>	Enclosure	UL94-V0 Polycarbonate		
	End panels	UL94-V0 Polycarbonate		
	Extension bracket	UL94-V0 Polycarbonate		
	Screws / Saddle Washer	Steel bright nickle plated		
	Nuts	Steel BZP		
<b>COLOURS</b>	Grey	RAL7035		
<b>COMPLIANCE</b>	RoHS compliant			
<b>ELECTRICAL RATING</b>	8A/250V rated (EN 62208), 0.8mm thick steel & nickel-plated terminals (EN 60999-1)			
<b>CONDUCTOR SIZE</b>	8 Poles	Rigid/Solid - 2.5mm <sup>2</sup> Rigid/Stranded - 1.5mm <sup>2</sup> Flexible - 1.5mm <sup>2</sup>		
<b>IP RATING</b>	Enclosure	IP40		
	Terminals	IP20		
<b>TEST RESULTS</b>	<b>Standard</b>	<b>Test</b>	<b>Result</b>	<b>Test report</b>
	UL94	Flammability	VO	E353371
	IEC 60998-2-1	Resistance to ageing and humidity	PASS	56187*
	IEC 60998-2-1	GWT	850°C	56187*
	IEC 60998-2-1	Clearance and creepage	PASS	56187*
	IEC 60112	Tracking	PT1 175V	56187*
DIN 43880	DIN Rail Standard	PASS	N/A	
<b>SCREW TORQUE</b>	M3	0.65Nm		
<b>PURCHASING INFORMATION</b>	Country of origin	Great Britain (GB)		
	Commodity code	3926909790		
	Weight	CMEB/1ST/KIT	27.8g	
		CMEB/1P_/_/KIT	28.8g	
		CMEB/1ST/E/KIT	19.6g	
		CMEB/1P_/_/E/KIT	20.6g	
Enclosure type	DIN Rail			

\*Tested to

## Potential industries / applications

Din Rail Switch Enclosures, DIN Rail Input and Output devices, DIN Rail Smart Building device, DIN Rail Power meter, DIN Rail Building control, DIN Rail stairway switch, DIN Rail Home Automation Universal Transmitters, DIN Rail Voltage Monitoring Relay, DIN Rail Relay Timer Light Switch, DIN Rail Current Monitoring Relay, Isolated Universal Temperature DIN rail Transmitter, DIN Rail MeterBus level converters, DIN Rail Solid State Relay, DIN Rail Voltage Monitoring Relay, DIN Rail Solid State Relay

Industrial IoT, Home automation, smart city device, controllers, relays, switches, Transmitters, power meters.

## Customisation options

Digital printing, CNC customised.





# CMEB Extendable DIN Rail Terminal Enclosure

INDIVIDUAL PART NUMBERS (SUPPLIED IN BULK)	
PART DESCRIPTION	PART NUMBER
CMEB Solid Top Body Assembly	CMEB/ISB
CMEB Open Top Body Assembly	CMEB/IMB
CMEB End Panel	CMEB/EP
CMEB Extension Arm	CMEB/EA
CMEB Terminal Blank	CMEB/BL
CNMB size 1 top clear	CNMB/1/PC
CNMB size 1 top grey	CNMB/1/PG
CNMB size 1 top smoked	CNMB/1/PS
CNMB size 1 top red	CNMB/1/PR
White Clip	CNMB/WHITE CLIP
Black Clip	CNMB/BLACK CLIP

To order a complete kit Select:  
 1x body assembly + 2x extension arms per extended body, 2x end panels per complete assembly, 1x white clip for each body, 1x black clip only per complete assembly.