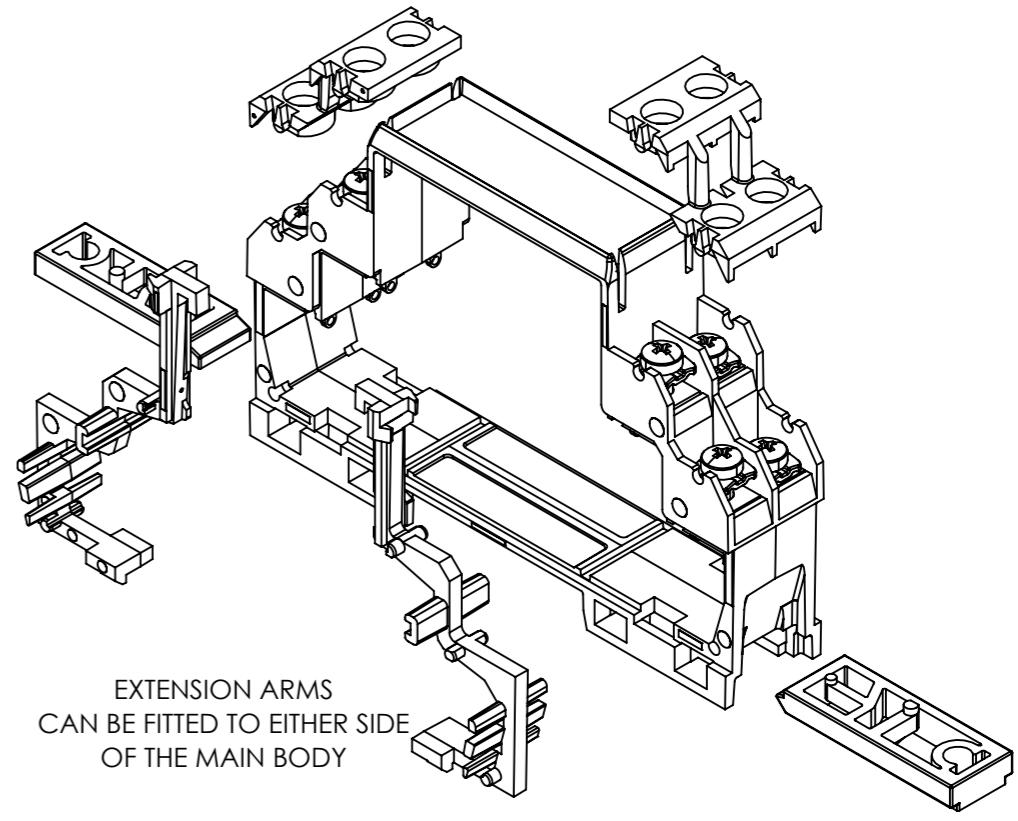
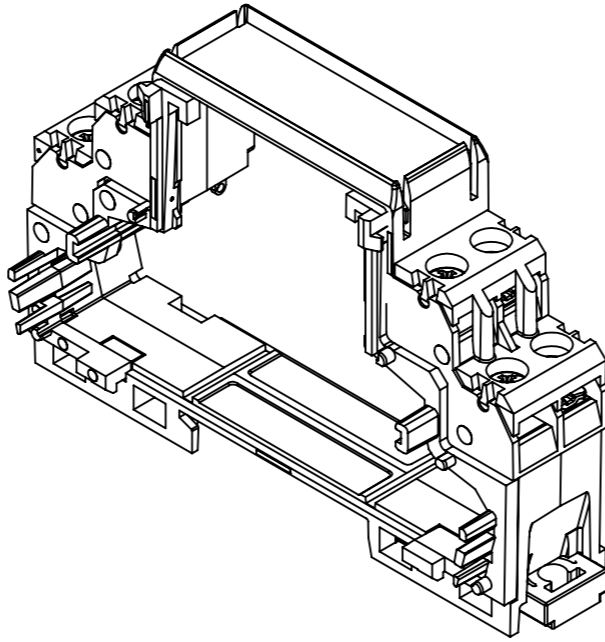
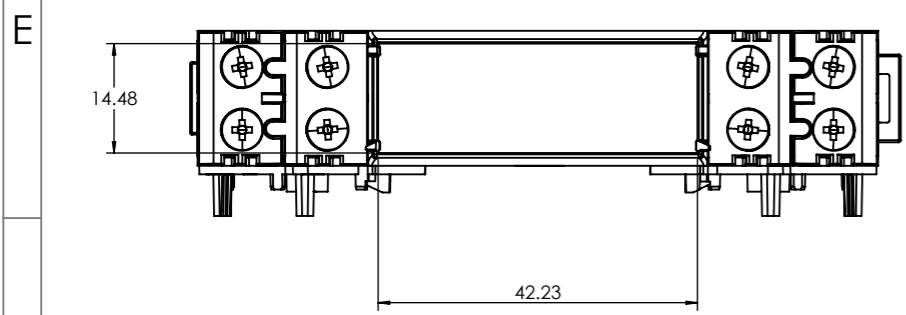
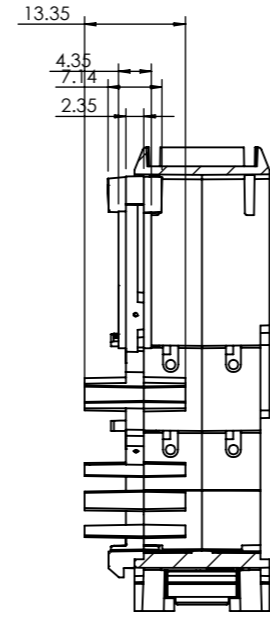
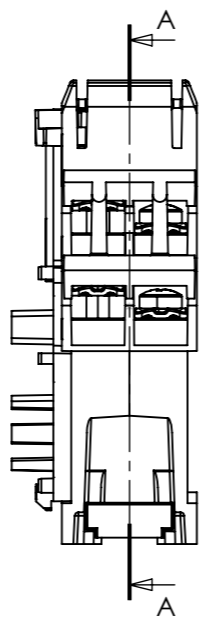
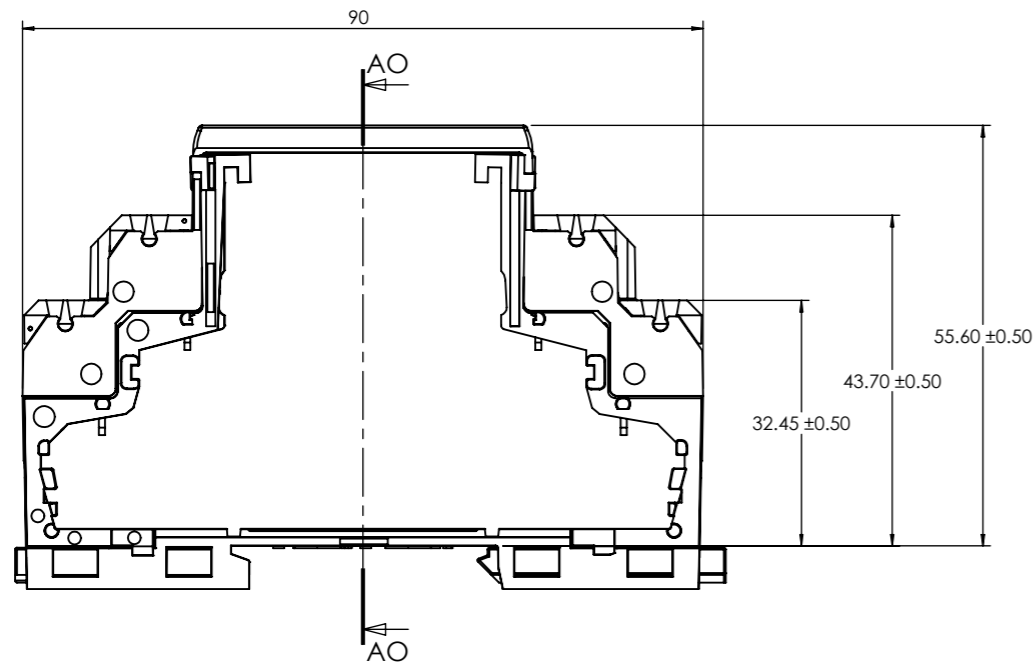


8 7 6 5 4 3 2 1

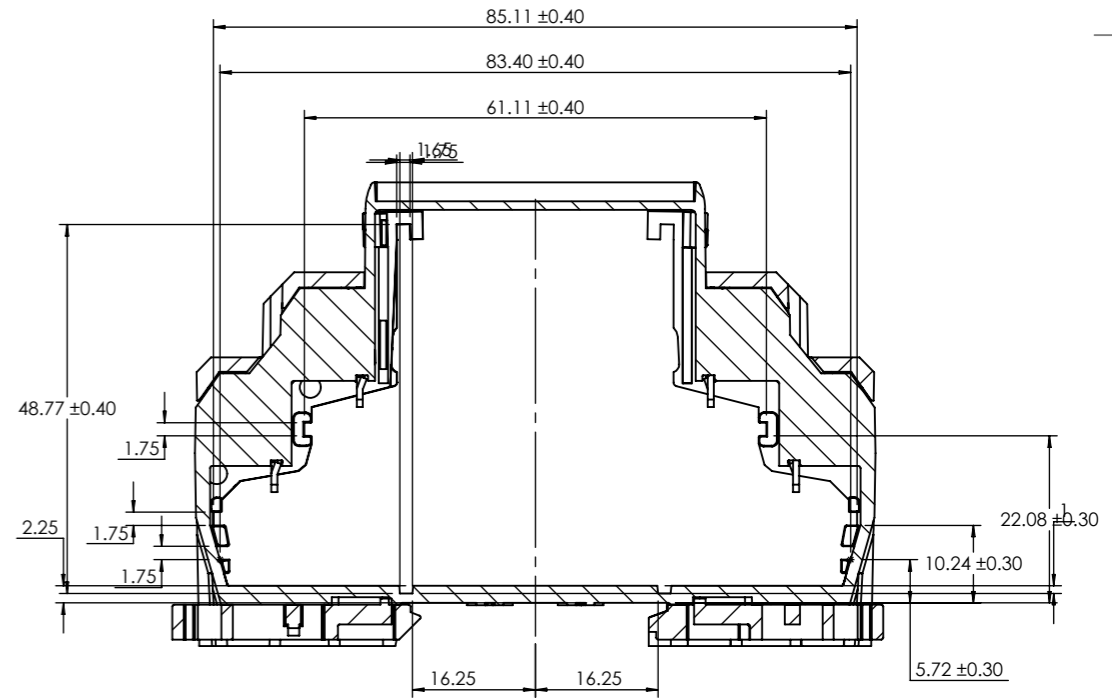
F



D



SECTION AO-AO
SCALE 1:1



SECTION A-A
SCALE 1:1

A

0.0	23/04/21	ECR
REVISION	DATE	ECR

FIRST DRAWN
DESCRIPTION

I.PAGANO
NAME

S.HARDINGE
CHK'D

CAMDENBOSS
CONNECT. ENCLOSE. INNOVATE.

DRAWING UNITS: MILLIMETERS
TOLERANCES: +/-0.2

PROJECTION
⊕

COLOUR: RAL: 7035

FINISH: TEXTURED TO VDI 20
ALL EXT PLAST PARTS

MATERIAL: VAR

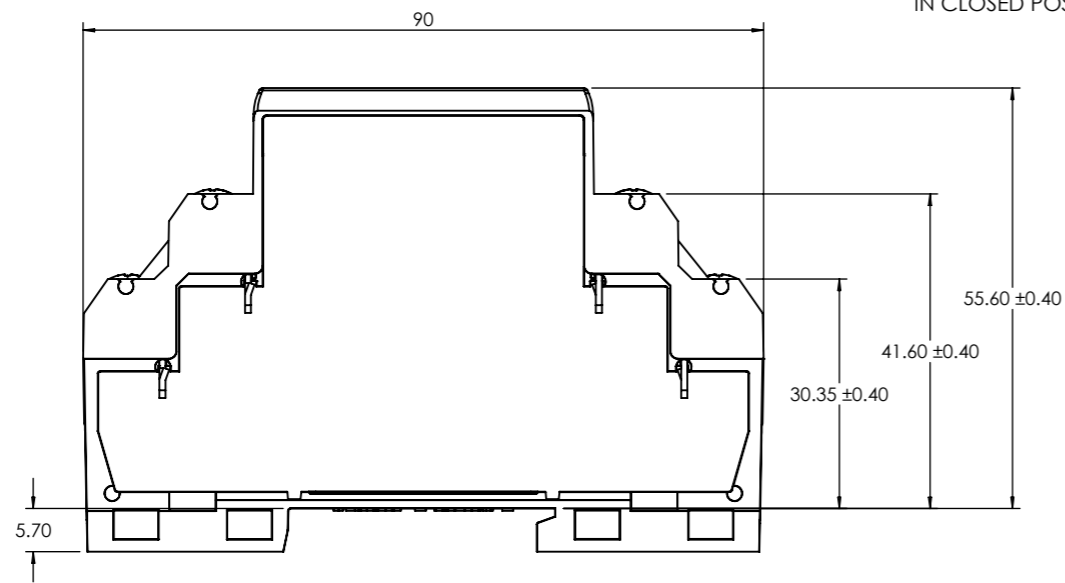
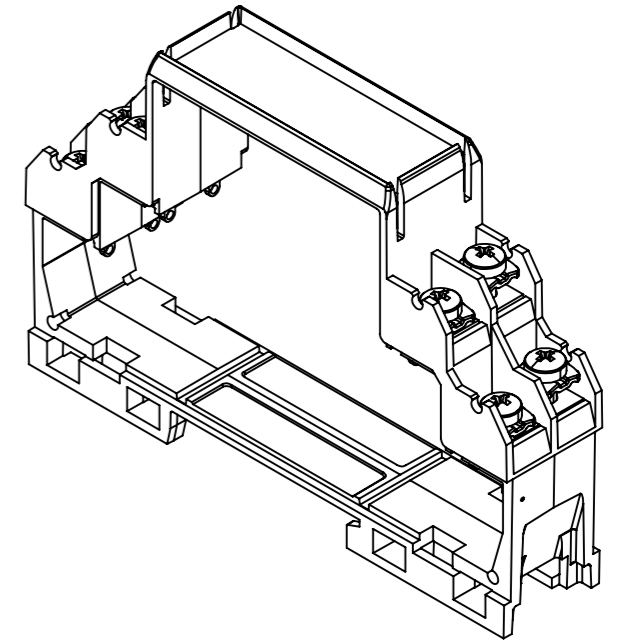
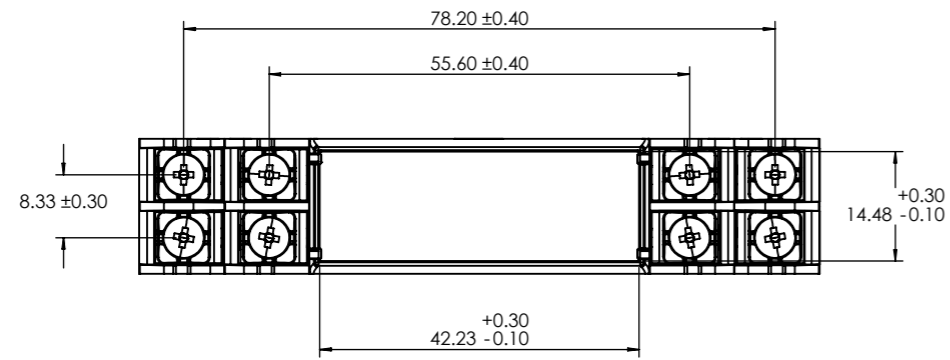
DEBURR AND BREAK SHARP EDGES
DO NOT SCALE DRAWING

TITLE: ASSY DRAWING FOR SINGLE CMEB
EXTENSIONS SOLID TOP KIT

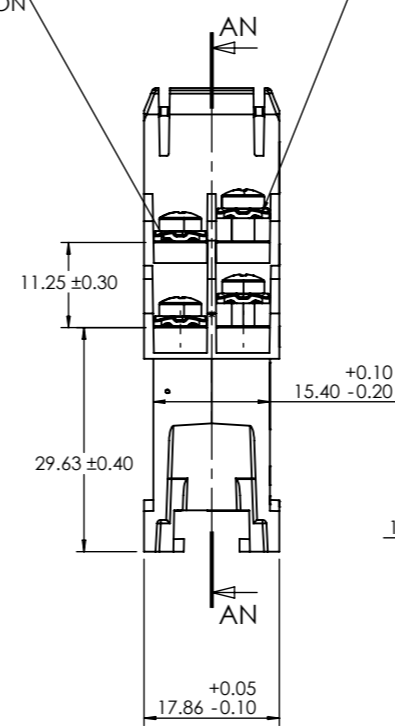
DWG NO. CMEB_1ST_E_KIT

SCALE: 1:1
SHEET 1 OF 9
A3

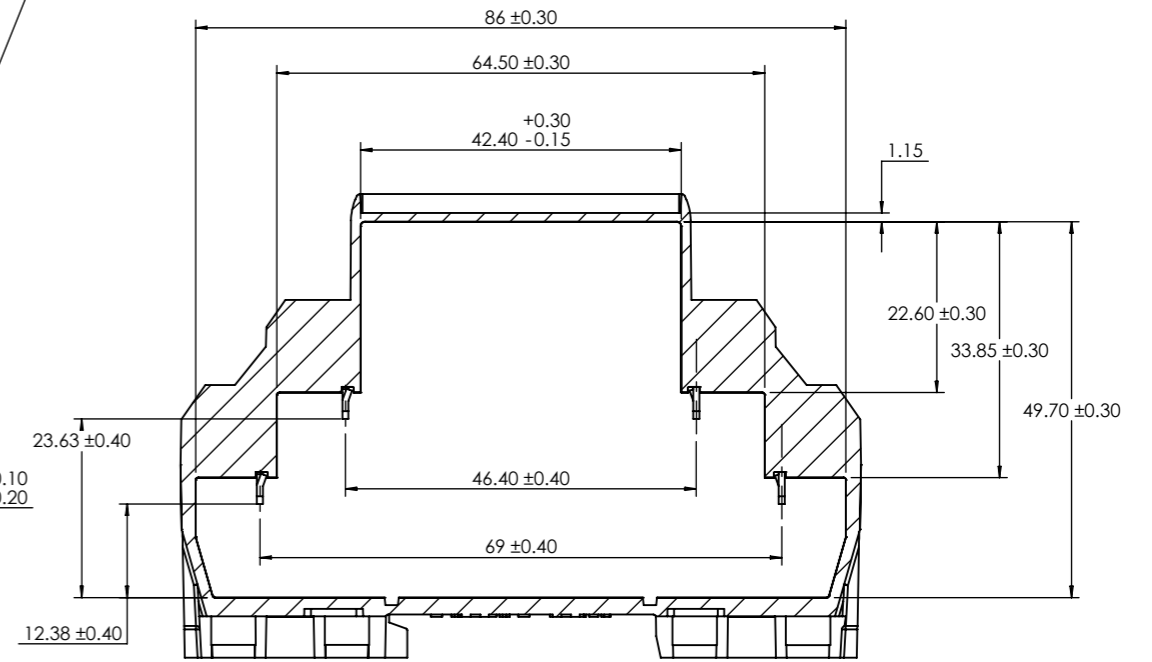
8 7 6 5 4 3 2 1



TERMINAL SCREW
WITH SADDLE WASHER
IN CLOSED POSITION



TERMINAL SCREW
WITH SADDLE WASHER
SHOWN IN OPEN POSITION



SECTION AN-AN
SCALE 1 : 1



DRAWING UNITS: MILLIMETERS
TOLERANCES: +/-0.2

PROJECTION

COLOUR: RAL: 7035

FINISH: TEXTURED TO VDI 20
ALL EXT PLAST PARTS

MATERIAL: VAR

DEBURR AND BREAK SHARP EDGES DO NOT SCALE DRAWING

TITLE: ASSY DRAWING FOR SINGLE CMEB
EXTENSIONS SOLID TOP KIT

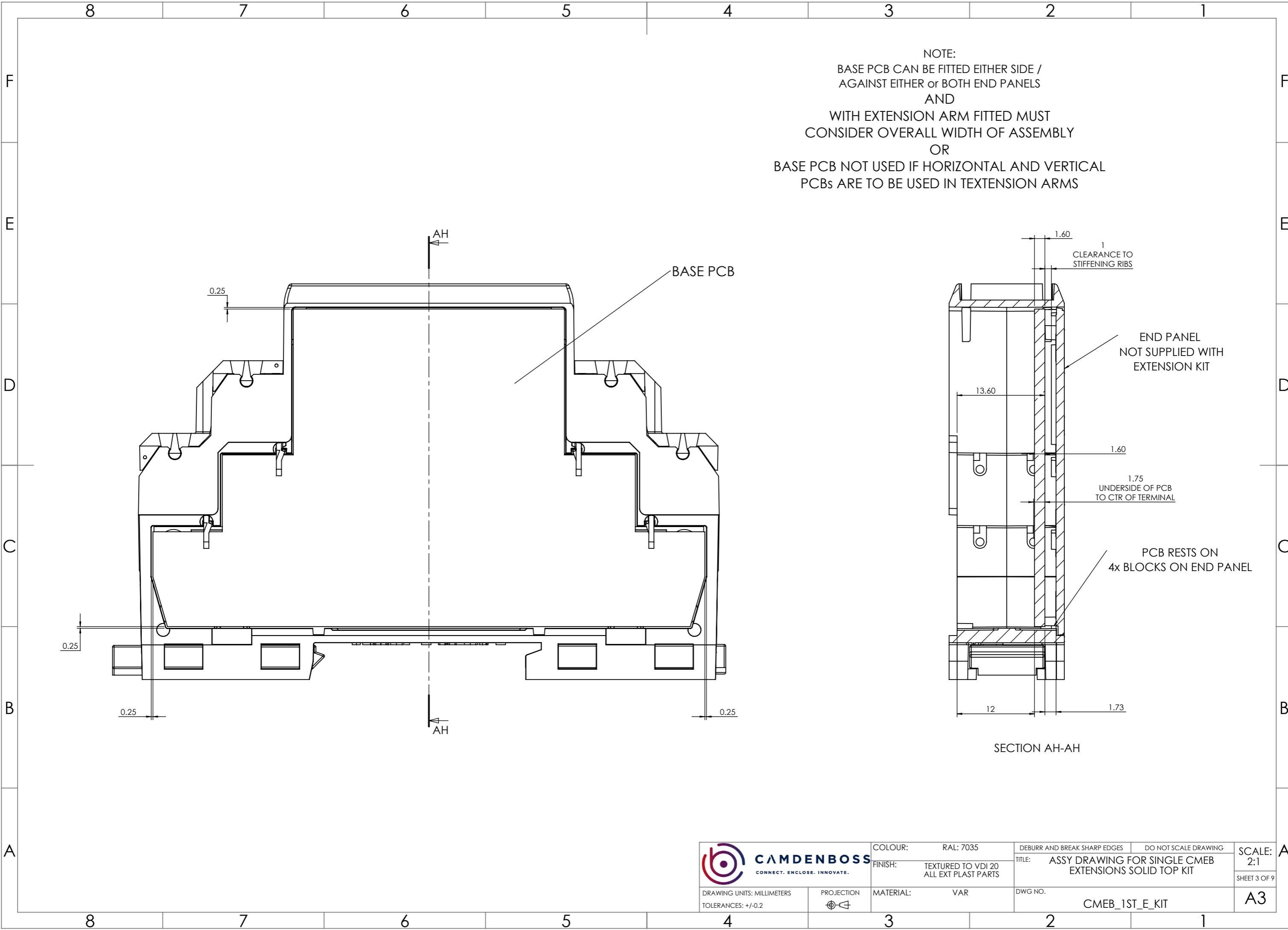
DWG NO.

CMEB_1ST_E_KIT

SCALE:
1:1


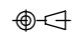
SHEET 2 OF 9

A3

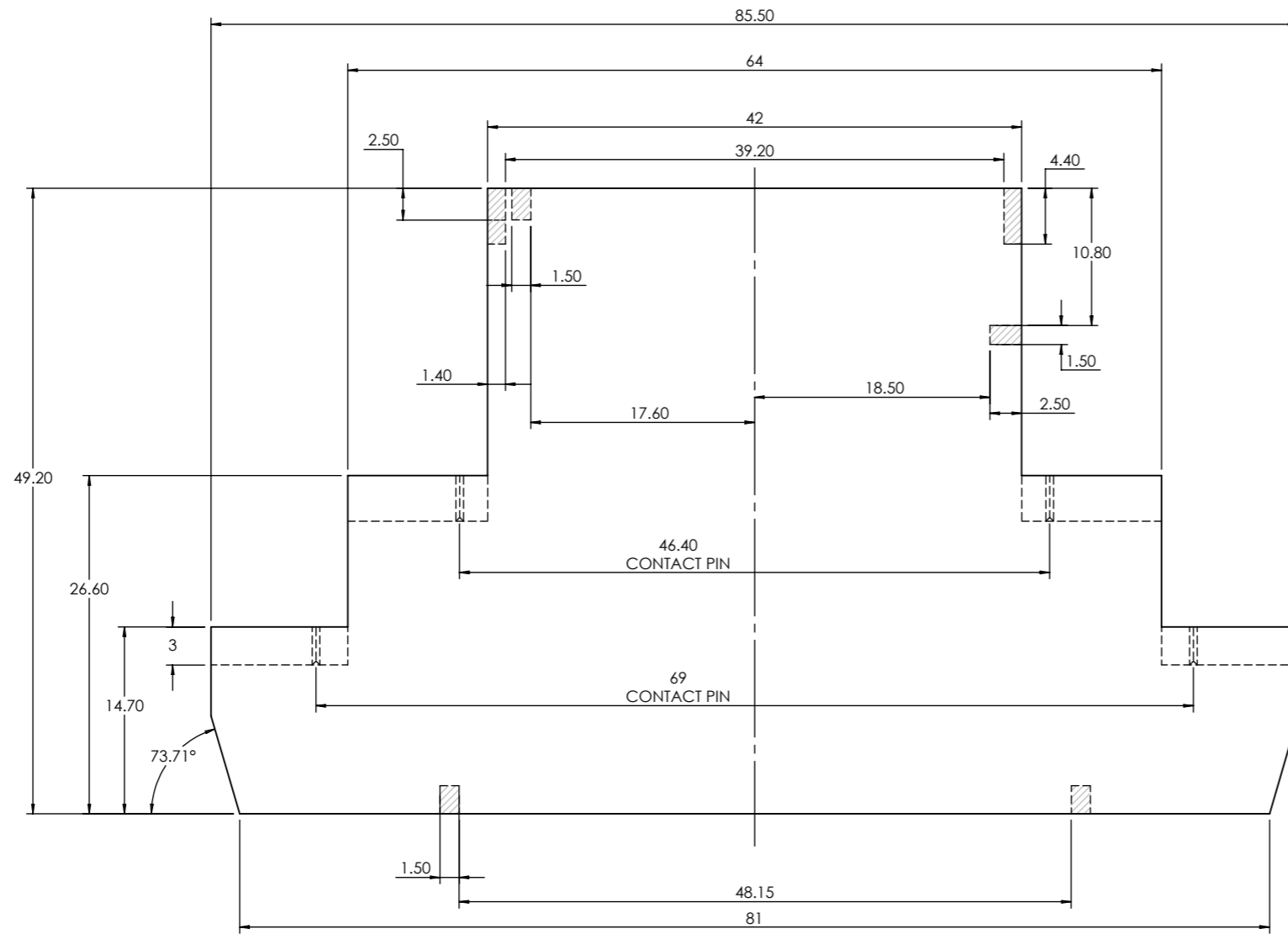


NOTE:
 BASE PCB CAN BE FITTED EITHER SIDE /
 AGAINST EITHER or BOTH END PANELS
 AND
 WITH EXTENSION ARM FITTED MUST
 CONSIDER OVERALL WIDTH OF ASSEMBLY
 OR
 BASE PCB NOT USED IF HORIZONTAL AND VERTICAL
 PCBs ARE TO BE USED IN TEXTENSION ARMS

SECTION AH-AH

 CAMDENBOSS <small>CONNECT. ENCLOSE. INNOVATE.</small>	COLOUR: RAL: 7035	DEBURR AND BREAK SHARP EDGES	DO NOT SCALE DRAWING	SCALE: 2:1 SHEET 3 OF 9
	FINISH: TEXTURED TO VDI 20 ALL EXT PLAST PARTS	TITLE: ASSY DRAWING FOR SINGLE CMEB EXTENSIONS SOLID TOP KIT		
DRAWING UNITS: MILLIMETERS TOLERANCES: +/-0.2	PROJECTION 	MATERIAL: VAR	DWG NO. CMEB_1ST_E_KIT	A3

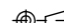
BASE PCB OPEN TOP BODY



 ENCLOSURE TO PCB CONTACT



DRAWING UNITS: MILLIMETERS
TOLERANCES: +/-0.2

PROJECTION


COLOUR: RAL: 7035

FINISH: TEXTURED TO VDI 20
ALL EXT PLAST PARTS

MATERIAL: VAR

DEBURR AND BREAK SHARP EDGES DO NOT SCALE DRAWING

TITLE: ASSY DRAWING FOR SINGLE CMEB
EXTENSIONS SOLID TOP KIT

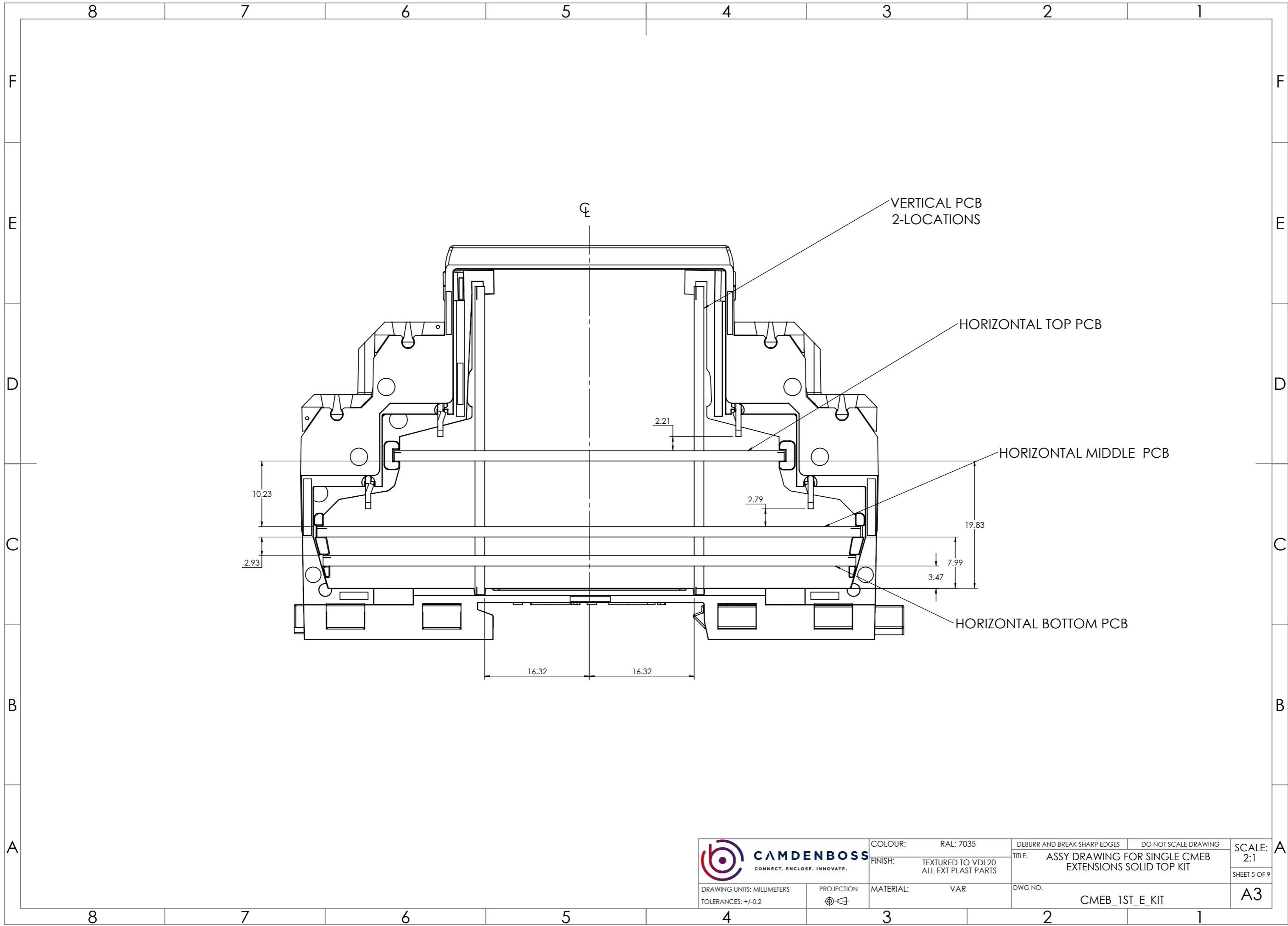
DWG NO.

CMEB_1ST_E_KIT

SCALE:
2:1

SHEET 4 OF 9

A3



CAMDENBOSS
CONNECT. ENCLOSE. INNOVATE.

COLOUR: RAL: 7035
FINISH: TEXTURED TO VDI 20 ALL EXT PLAST PARTS
MATERIAL: VAR

DEBURR AND BREAK SHARP EDGES DO NOT SCALE DRAWING
TITLE: ASSY DRAWING FOR SINGLE CMEB EXTENSIONS SOLID TOP KIT
DWG NO. CMEB_1ST_E_KIT

SCALE: 2:1
SHEET 5 OF 9
A3

DRAWING UNITS: MILLIMETERS
TOLERANCES: +/-0.2

PROJECTION

8 7 6 5 4 3 2 1

F F

HORIZONTAL TOP PCB

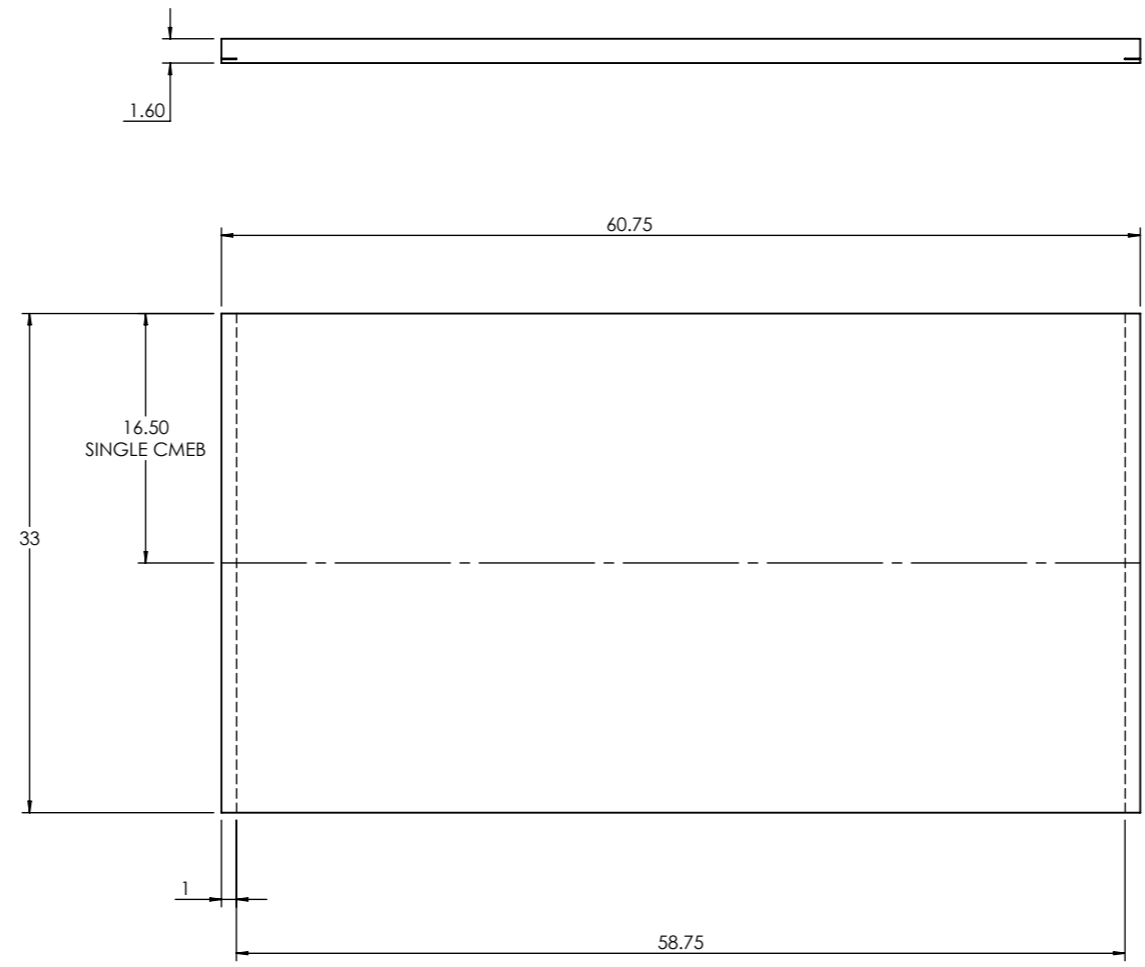
E E


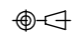
D D

C C

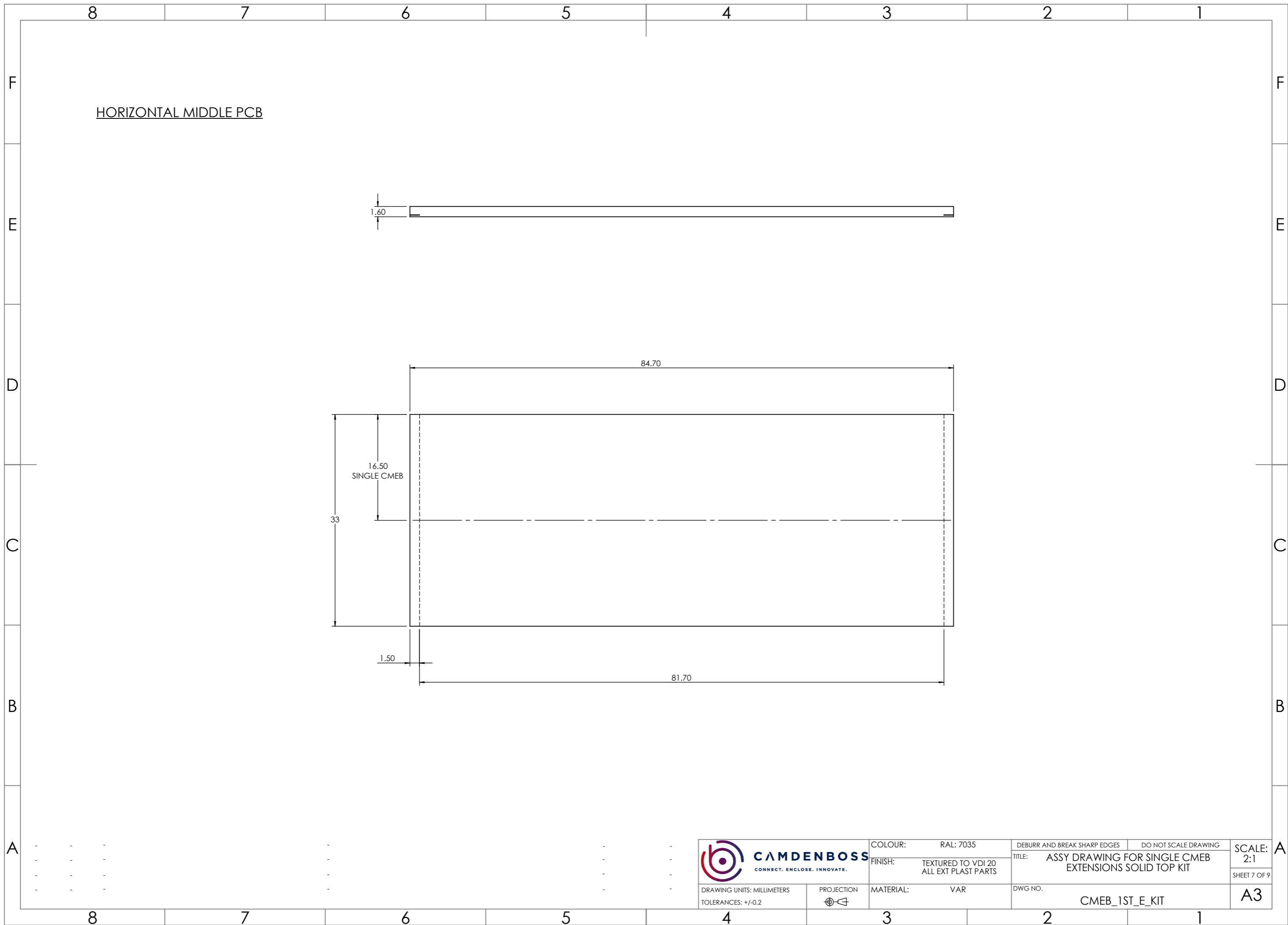
B B

A A

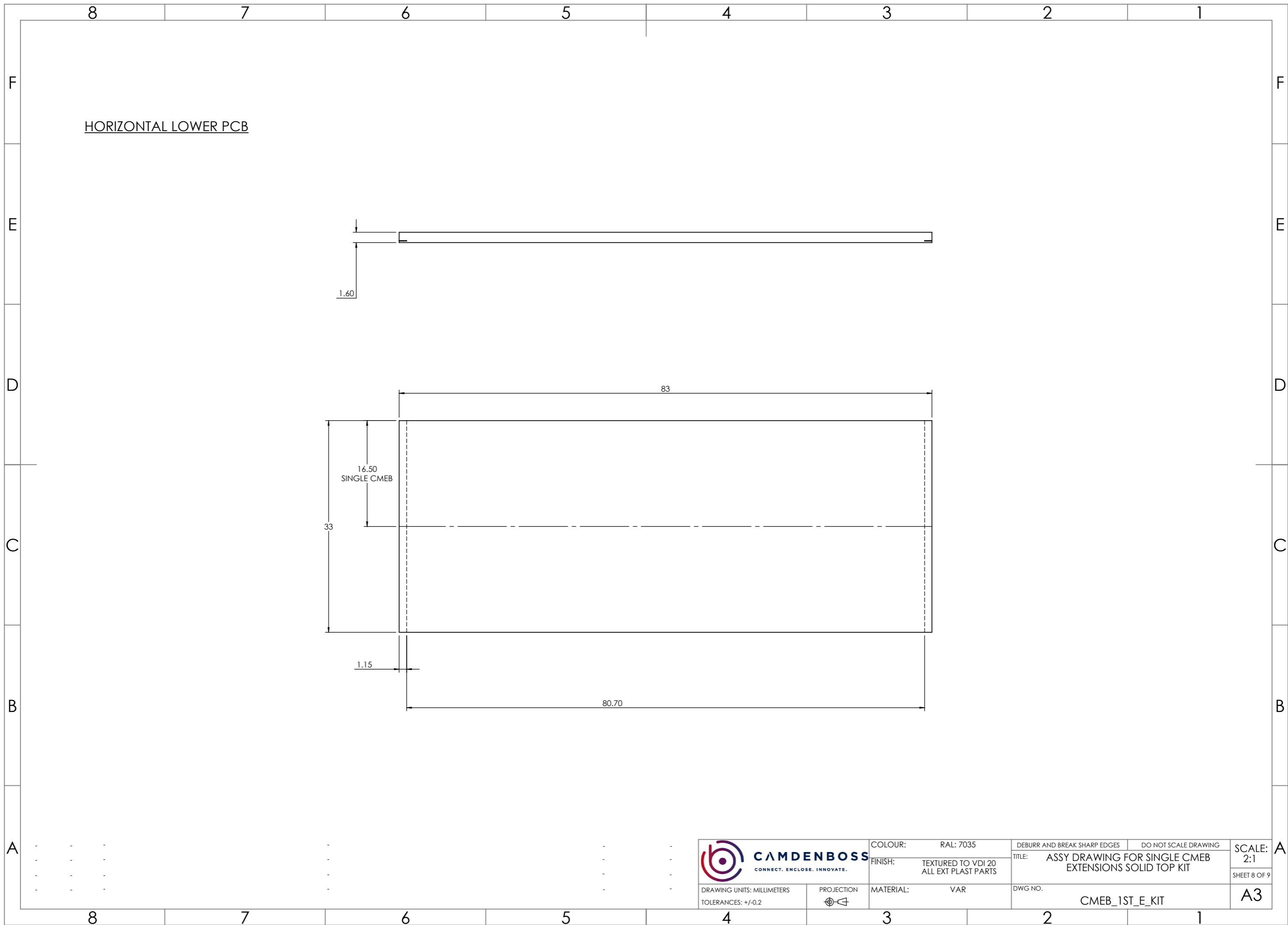


 CAMDENBOSS <small>CONNECT. ENCLOSE. INNOVATE.</small>	COLOUR: RAL: 7035	DEBURR AND BREAK SHARP EDGES	DO NOT SCALE DRAWING	SCALE: 2:1
	FINISH: TEXTURED TO VDI 20 ALL EXT PLAST PARTS	TITLE: ASSY DRAWING FOR SINGLE CMEB EXTENSIONS SOLID TOP KIT		SHEET 6 OF 9
DRAWING UNITS: MILLIMETERS TOLERANCES: +/-0.2	PROJECTION 	MATERIAL: VAR	DWG NO. CMEB_1ST_E_KIT	A3

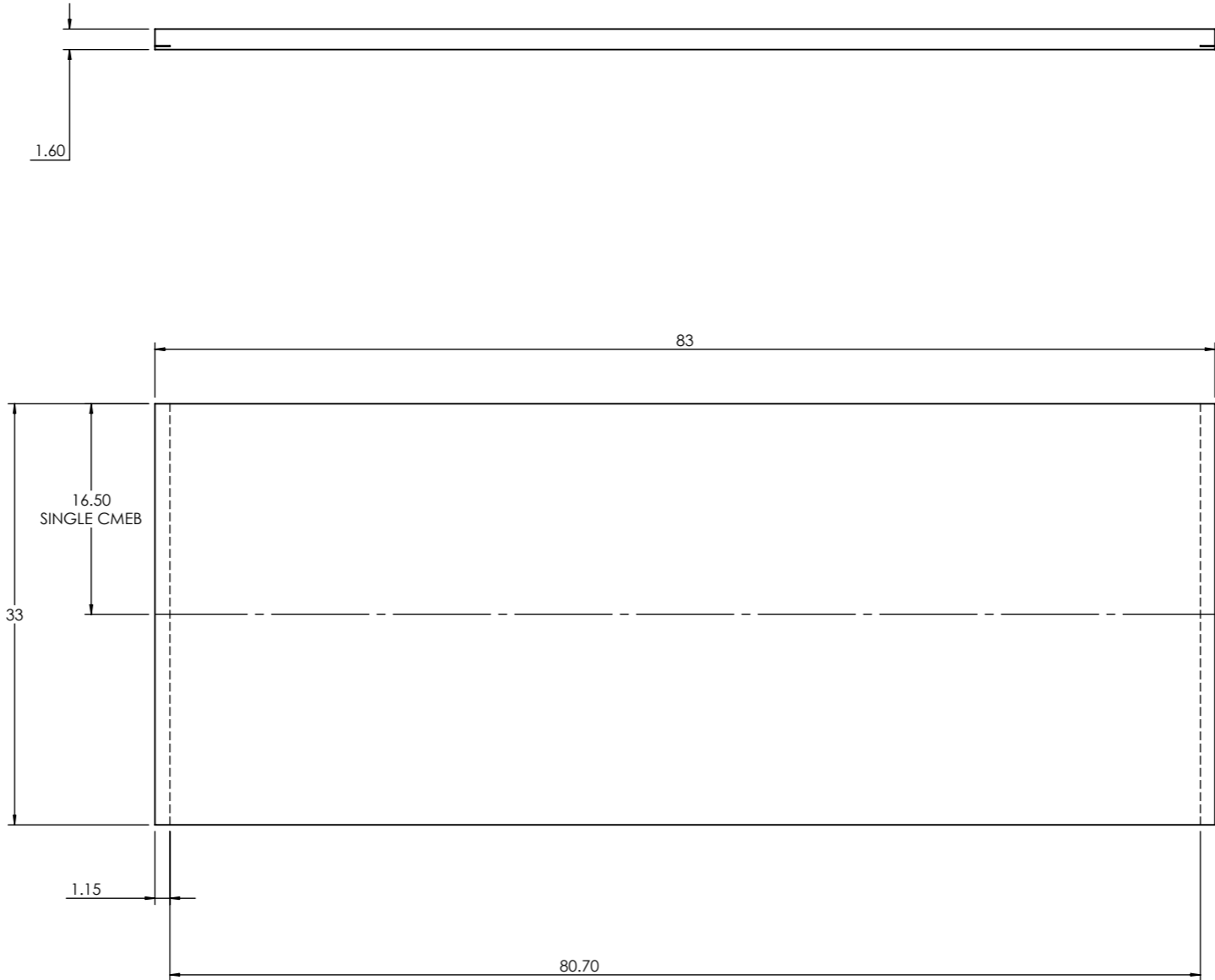
8 7 6 5 4 3 2 1



COLOUR: RAL: 7035	DEBURR AND BREAK SHARP EDGES	DO NOT SCALE DRAWING	SCALE: 2:1
FINISH: TEXTURED TO VDI 20 ALL EXT PLAST PARTS	TITLE: ASSY DRAWING FOR SINGLE CMEB EXTENSIONS SOLID TOP KIT		SHEET 7 OF 9
DRAWING UNITS: MILLIMETERS TOLERANCES: +/-0.2	PROJECTION 	MATERIAL: VAR	DWG NO. CMEB_1ST_E_KIT
			A3



HORIZONTAL LOWER PCB



- - -
 - - -
 - - -
 - - -



DRAWING UNITS: MILLIMETERS
 TOLERANCES: +/-0.2

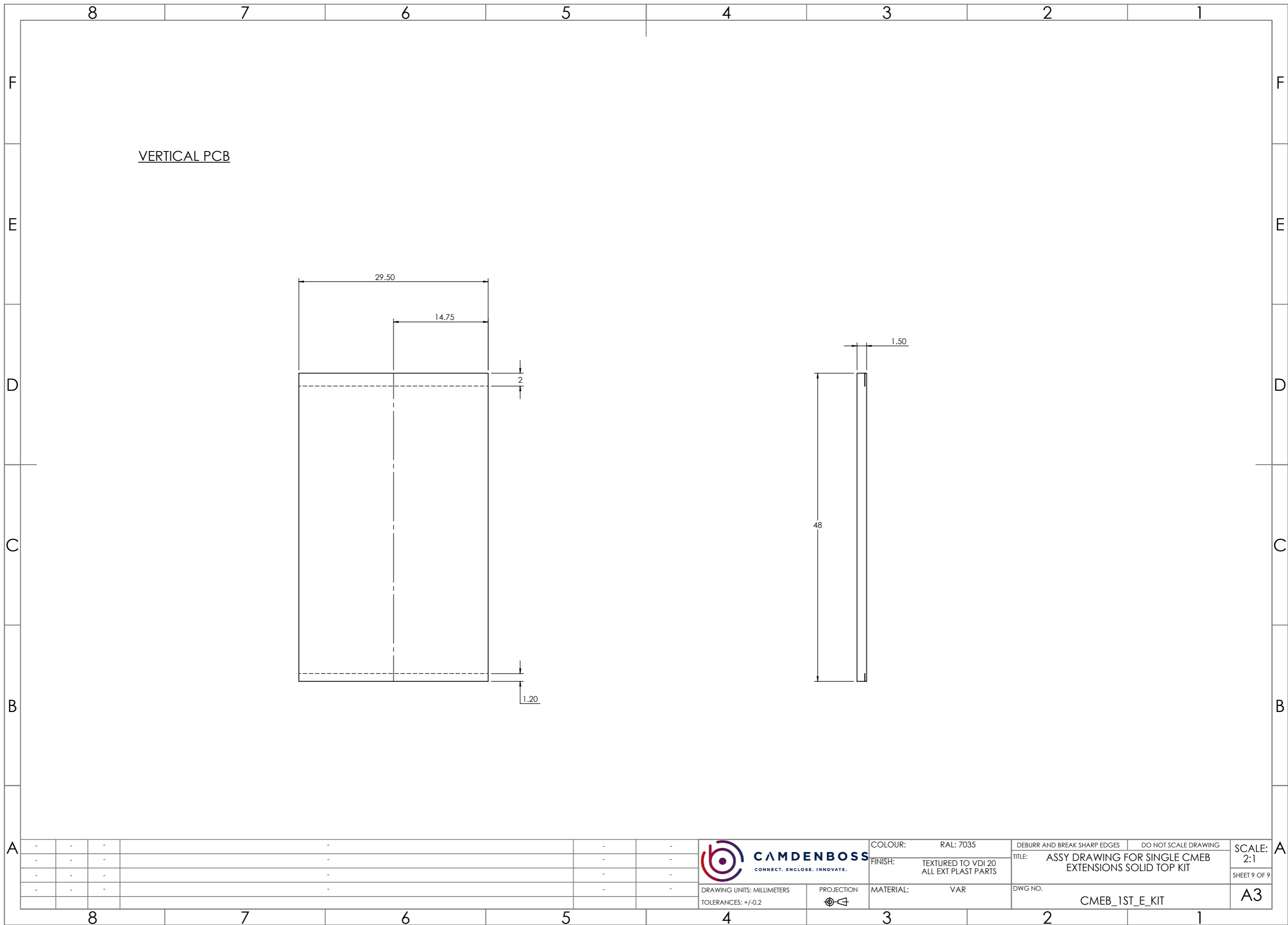
COLOUR: RAL: 7035
 FINISH: TEXTURED TO VDI 20
 ALL EXT PLAST PARTS

PROJECTION
 MATERIAL: VAR

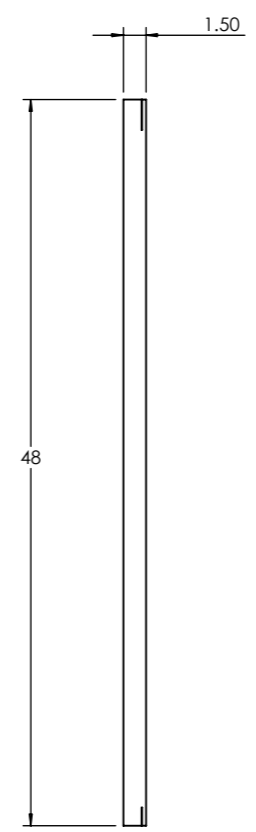
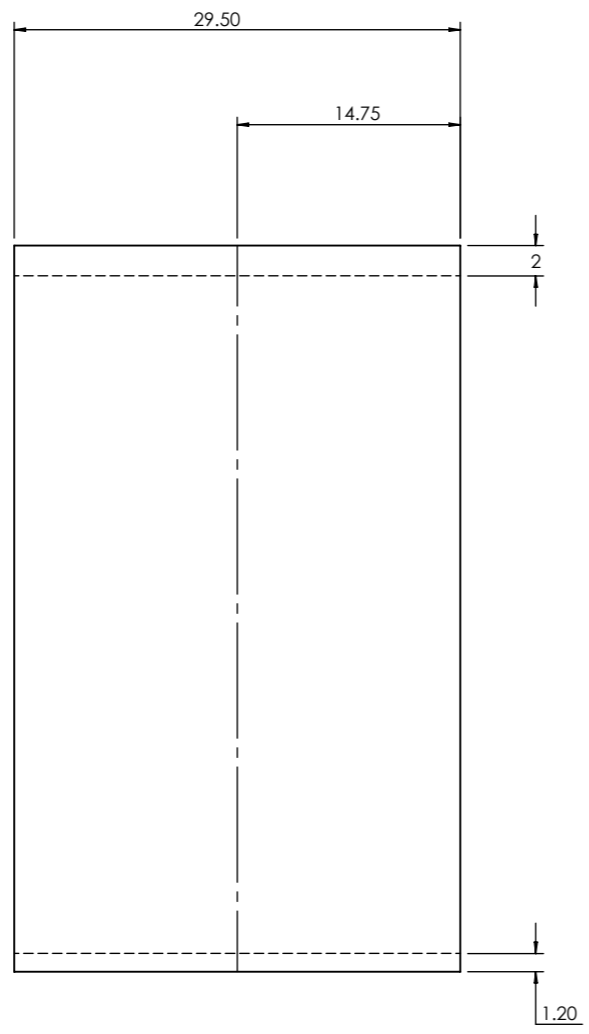
DEBURR AND BREAK SHARP EDGES
 DO NOT SCALE DRAWING
 TITLE: ASSY DRAWING FOR SINGLE CMEB
 EXTENSIONS SOLID TOP KIT

DWG NO. CMEB_1ST_E_KIT

SCALE: 2:1
 SHEET 8 OF 9
 A3



VERTICAL PCB



A	-	-	-	-	-	-	-
	-	-	-	-	-	-	-
	-	-	-	-	-	-	-
	-	-	-	-	-	-	-

CAMDENBOSS
CONNECT. ENCLOSE. INNOVATE.

COLOUR: RAL: 7035
FINISH: TEXTURED TO VDI 20 ALL EXT PLAST PARTS
MATERIAL: VAR

DEBURR AND BREAK SHARP EDGES DO NOT SCALE DRAWING
TITLE: ASSY DRAWING FOR SINGLE CMEB EXTENSIONS SOLID TOP KIT
DWG NO. CMEB_1ST_E_KIT

SCALE: 2:1
SHEET 9 OF 9
A3

8 7 6 5 4 3 2 1