

Hand-Held and Remote

Order code	Manufacturer code	Description
30-3626	n/a	143X83X38MM GREY ABS ENCLOSURE
30-3636	n/a	143X83X38MM BLACK ABS ENCLOSURE

Hand-Held and Remote	Page 1 of 2
The enclosed information is believed to be correct, Information may change 'without notice' due to product improvement. Users should ensure that the product is suitable for their use. E. & O. E.	Revision A 04/07/2003

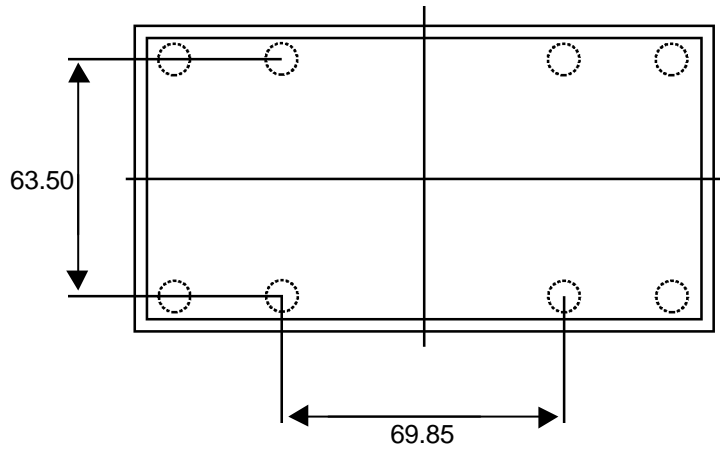
Cases

ABS Cases

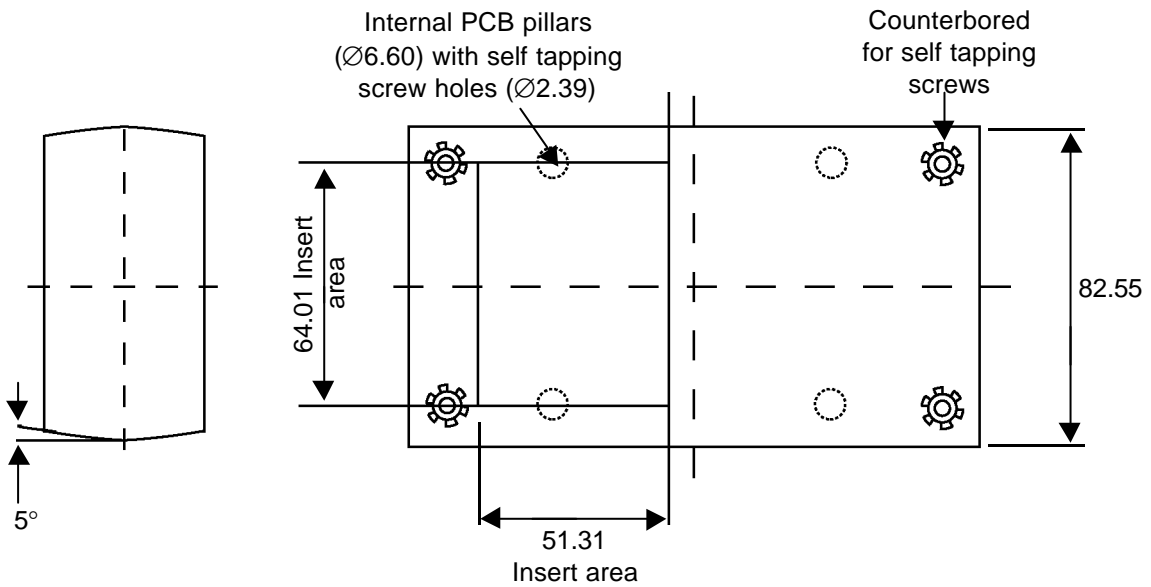
A range of textured finish ABS enclosures, which incorporate a recessed panel to accept labels and logos etc. The cases are secured with four screws that are hidden by the four rubber feet supplied. The cases include PCB guides and bosses for easy PCB installation.

Dimensions:

Top View:



Bottom View:



Side View:

