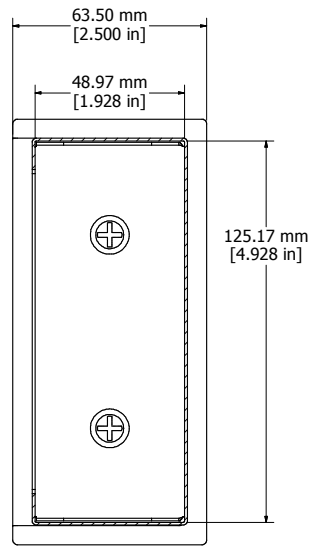
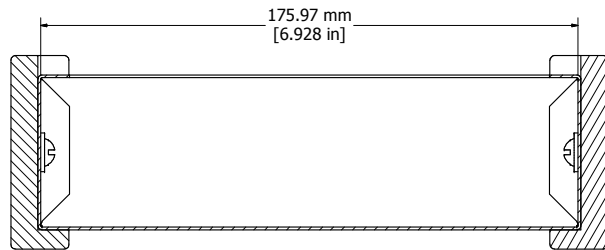


Assembly - View From Bottom



SECTION A-A



SECTION B-B



*Purchased Assembly Includes Walnut Sides, Steel Or Aluminum Chassis, Rubber Feet, 4 Lock Washers And 4 Assembly Screws.*

Screws Should Not Be Torqued Pass 4.43 lbf.in ( 50 cN.m)

**PART NUMBERS**

**1441-12BK3CWW**

Component	Description	Part Number
Chassis	Steel Chassis (Black) 7X5X2	COM56811-1
Insert	Hardwood Insert	HWINSERT
Screw	8-32 X5/16 Truss Head	SC1440
Washer	#8 Ext. Tooth Lock Washer	WA201
Sides	1441-12 Walnut Side	PFR1441-12HW
Feet	Hardwood Chassis Rubber Feet Set	SC1440-D

Contact Factory [mjm@hammondmfg.com](mailto:mjm@hammondmfg.com) for quotes  
 Enclosures can be Factory Modified ( Milling, Drilling, Printing etc. )  
 Solid models of this enclosure available in STEP or IGES.



**HAMMOND  
MANUFACTURING INC.**

**1441-12BK3CWW**

[www.hammondmfg.com](http://www.hammondmfg.com)