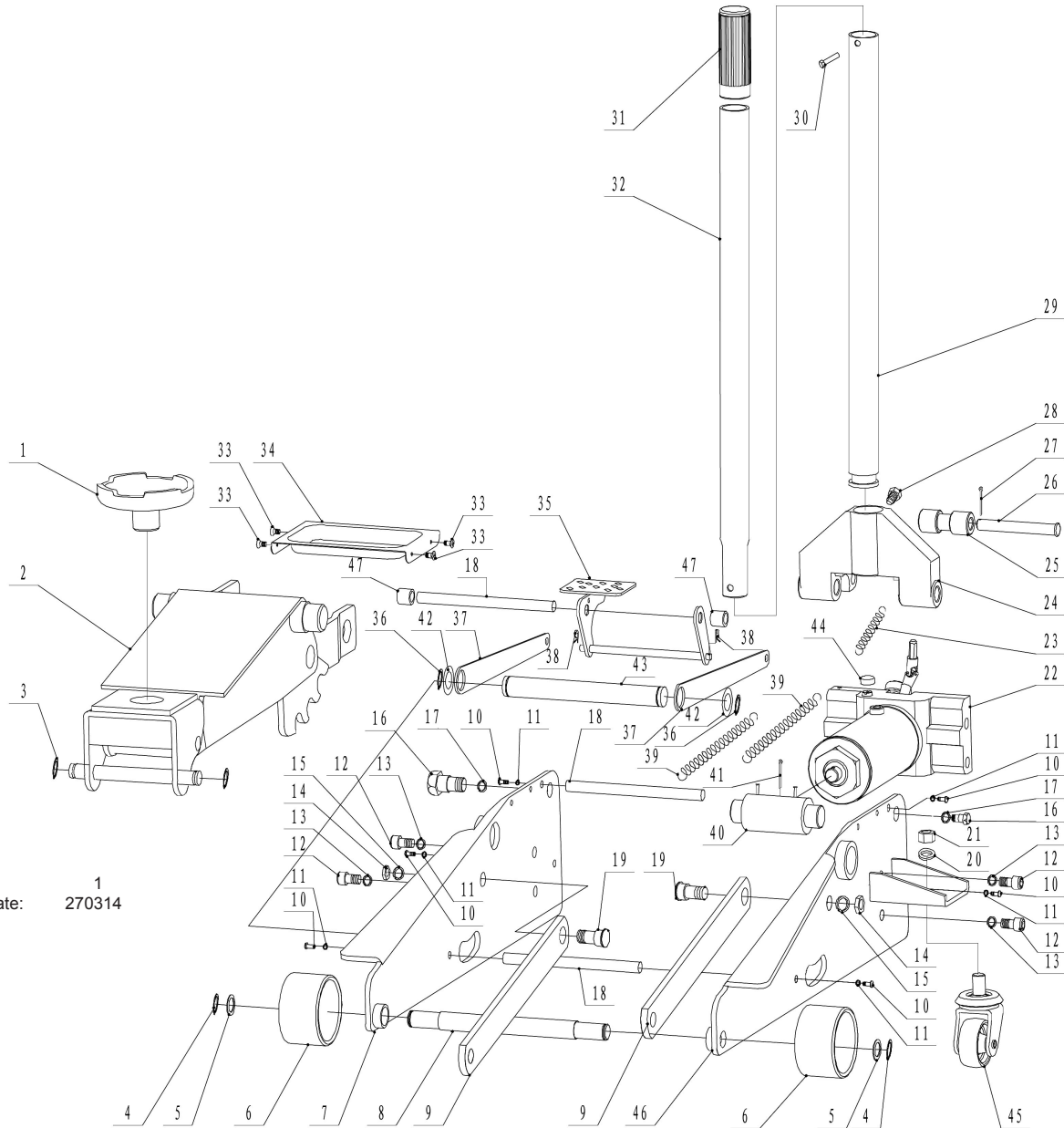




PARTS FOR:  
**3tonne TROLLEY JACK WITH SAFETY LOCK**  
**MODEL: 3000LJ**

**1 OF 2**



Issue: 1  
 Issue Date: 270314

| ITEM | MODEL     | DESCRIPTION            | ITEM | MODEL     | DESCRIPTION              | ITEM | MODEL     | DESCRIPTION               |
|------|-----------|------------------------|------|-----------|--------------------------|------|-----------|---------------------------|
| 1    | 3000LJ.01 | SADDLE                 | 17   | 3000LJ.17 | SPRING WASHER (18mm)     | 33   | 3000LJ.33 | TAPPING SCREW C/S (M5x15) |
| 2    | 3000LJ.02 | LIFT ARM               | 18   | 3000LJ.18 | HANDLE SOCKET SHAFT      | 34   | 3000LJ.34 | COVER PLATE               |
| 3    | 3000LJ.03 | RETAINING RING (16mm)  | 19   | 3000LJ.19 | CONNECTING BOLT          | 35   | 3000LJ.35 | FOOT PEDAL                |
| 4    | 3000LJ.04 | RETAINING RING (18mm)  | 20   | 3000LJ.20 | SPRING WASHER (16mm)     | 36   | 3000LJ.36 | RETAINING RING (22mm)     |
| 5    | 3000LJ.05 | FLAT WASHER (18mm)     | 21   | 3000LJ.21 | NUT (M16)                | 37   | 3000LJ.37 | FOOT PEDAL LEVER          |
| 6    | 3000LJ.06 | FRONT WHEEL            | 22   | 3000LJ.22 | HYDRAULIC PUMP           | 38   | 3000LJ.38 | R-PIN                     |
| 7    | 3000LJ.07 | SIDE MEMBER (RIGHT)    | 23   | 3000LJ.23 | TENSION SPRING (SMALL)   | 39   | 3000LJ.39 | RETURN SPRING             |
| 8    | 3000LJ.08 | FRONT WHEEL SHAFT      | 24   | 3000LJ.24 | HANDLE SOCKET            | 40   | 3000LJ.40 | CONNECTING BLOCK          |
| 9    | 3000LJ.09 | CONNECTING LEVER       | 25   | 3000LJ.25 | IDLER WHEEL              | 41   | 3000LJ.41 | COTTER PIN (4x45)         |
| 10   | 3000LJ.10 | HEX HEAD BOLT (M8x15)  | 26   | 3000LJ.26 | IDLER WHEEL PIN          | 42   | 3000LJ.42 | WASHER                    |
| 11   | 3000LJ.11 | SPRING WASHER (8mm)    | 27   | 3000LJ.27 | COTTER PIN (2.5x16)      | 43   | 3000LJ.43 | FOOT PEDAL PIN            |
| 12   | 3000LJ.12 | HEX HEAD BOLT (M12x25) | 28   | 3000LJ.28 | HANDLE SOCKET BOLT (M12) | 44   | 3000LJ.44 | SAFETY CAP                |
| 13   | 3000LJ.13 | SPRING WASHER (12mm)   | 29   | 3000LJ.29 | LOWER HANDLE             | 45   | 3000LJ.45 | REAR WHEEL ASS'Y          |
| 14   | 3000LJ.14 | NUT (M16)              | 30   | 3000LJ.30 | HANDLE SCREW (M6x35)     | 46   | 3000LJ.46 | SIDE MEMBER (LEFT)        |
| 15   | 3000LJ.15 | SPRING WASHER (16mm)   | 31   | 3000LJ.31 | HANDLE GRIP              | 47   | 3000LJ.47 | BUSHING                   |
| 16   | 3000LJ.16 | PRESSURE BOLT (M18x5)  | 32   | 3000LJ.32 | UPPER HANDLE             |      |           |                           |

**NOTE:** It is our policy to continually improve products and as such we reserve the right to alter data, specifications and component parts without prior notice.

**IMPORTANT:** No liability is accepted for incorrect use of product.

**WARRANTY:** Guarantee is 12 months from purchase date, proof of which will be required for any claim.

**INFORMATION:** For a copy of our latest catalogue and promotions call us on 01284 757525 and leave your full name and address, including postcode.



Sole UK Distributor,  
 Sealey Group, Kempson Way,  
 Suffolk Business Park,  
 Bury St Edmunds, Suffolk, IP32 7AR



01284 757500



01284 703534



[www.sealey.co.uk](http://www.sealey.co.uk)

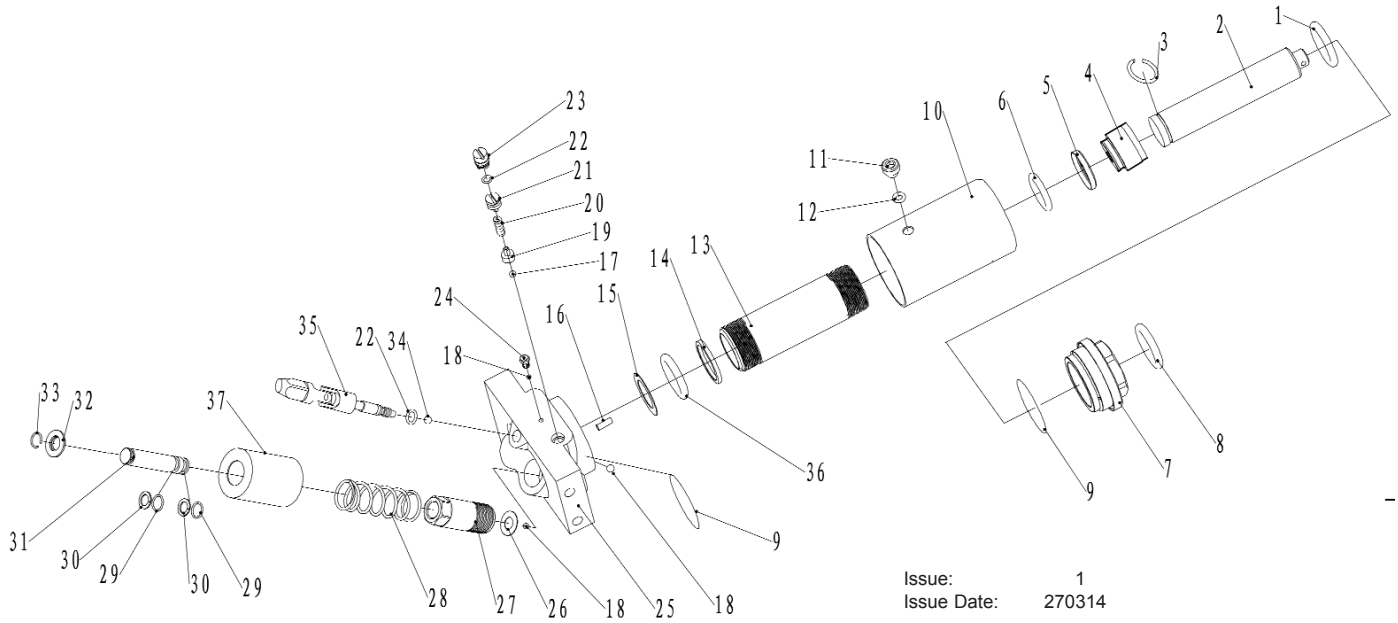


[sales@sealey.co.uk](mailto:sales@sealey.co.uk)



PARTS FOR:  
**3tonne TROLLEY JACK WITH SAFETY LOCK**  
 MODEL: **3000LJ**

**2 OF 2**



Issue: 1  
 Issue Date: 270314

| ITEM | MODEL      | DESCRIPTION                | ITEM | MODEL      | DESCRIPTION                 |
|------|------------|----------------------------|------|------------|-----------------------------|
| 1    | 3000LJ.P01 | PISTON O-RING              | 20   | 3000LJ.P20 | SAFETY VALVE SPRING         |
| 2    | 3000LJ.P02 | PISTON ROD                 | 21   | 3000LJ.P21 | PRESSURE ADJUSTING SCREW    |
| 3    | 3000LJ.P03 | SNAP RING                  | 22   | 3000LJ.P22 | O-RING (8x1.8)              |
| 4    | 3000LJ.P04 | PISTON HEAD                | 23   | 3000LJ.P23 | SAFETY VALVE SCREW          |
| 5    | 3000LJ.P05 | BOWL WASHER (42x5.5)       | 24   | 3000LJ.P24 | HEX NUT (M6x12)             |
| 6    | 3000LJ.P06 | O-RING (32.8x4.6)          | 25   | 3000LJ.P25 | BASE PLATE                  |
| 7    | 3000LJ.P07 | TOP CAP                    | 26   | 3000LJ.P26 | COPPER PACKING (25x14x0.7)  |
| 8    | 3000LJ.P08 | O-RING (29.6x3.5)          | 27   | 3000LJ.P27 | PUMP CYLINDER (SMALL)       |
| 9    | 3000LJ.P09 | SEALING RING               | 28   | 3000LJ.P28 | PUMP SPRING (SMALL)         |
| 10   | 3000LJ.P10 | RESERVOIR                  | 29   | 3000LJ.P29 | O-RING (10.2x2.65)          |
| 11   | 3000LJ.P11 | OIL FILLER SCREW           | 30   | 3000LJ.P30 | SPLIT WASHER (15x10.6x1.25) |
| 12   | 3000LJ.P12 | O-RING                     | 31   | 3000LJ.P31 | PUMP CORE (SMALL)           |
| 13   | 3000LJ.P13 | OIL CYLINDER               | 32   | 3000LJ.P32 | SPRING COVER PLATE          |
| 14   | 3000LJ.P14 | BOTTOM CYLINDER NYLON RING | 33   | 3000LJ.P33 | RETAINING RING              |
| 15   | 3000LJ.P15 | COPPER PACKING             | 34   | 3000LJ.P34 | STEEL BALL (6mm)            |
| 16   | 3000LJ.P16 | OIL STRAINER               | 35   | 3000LJ.P35 | DISCHARGE VALVE ASS'Y       |
| 17   | 3000LJ.P17 | STEEL BALL (4mm)           | 36   | 3000LJ.P36 | O-RING (46.5x2.4)           |
| 18   | 3000LJ.P18 | STEEL BALL (5mm)           | 37   | 3000LJ.P37 | PUMP INNER (SMALL)          |
| 19   | 3000LJ.P19 | BALL VALVE SEAT            |      |            |                             |

**NOTE:** It is our policy to continually improve products and as such we reserve the right to alter data, specifications and component parts without prior notice.

**IMPORTANT:** No liability is accepted for incorrect use of product.

**WARRANTY:** Guarantee is 12 months from purchase date, proof of which will be required for any claim.

**INFORMATION:** For a copy of our latest catalogue and promotions call us on 01284 757525 and leave your full name and address, including postcode.



Sole UK Distributor,  
 Sealey Group, Kempson Way,  
 Suffolk Business Park,  
 Bury St Edmunds, Suffolk, IP32 7AR



01284 757500



01284 703534



[www.sealey.co.uk](http://www.sealey.co.uk)



[sales@sealey.co.uk](mailto:sales@sealey.co.uk)