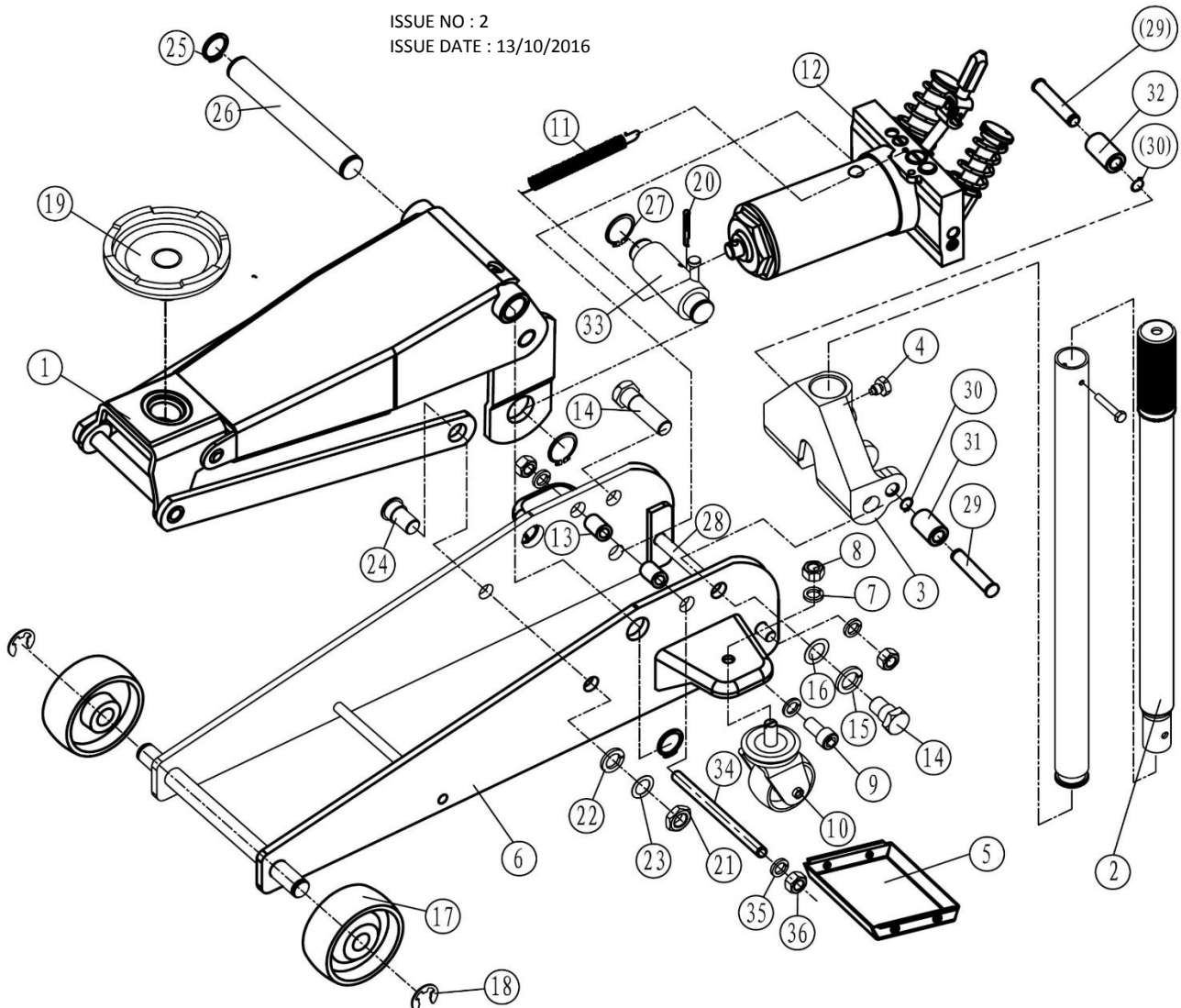
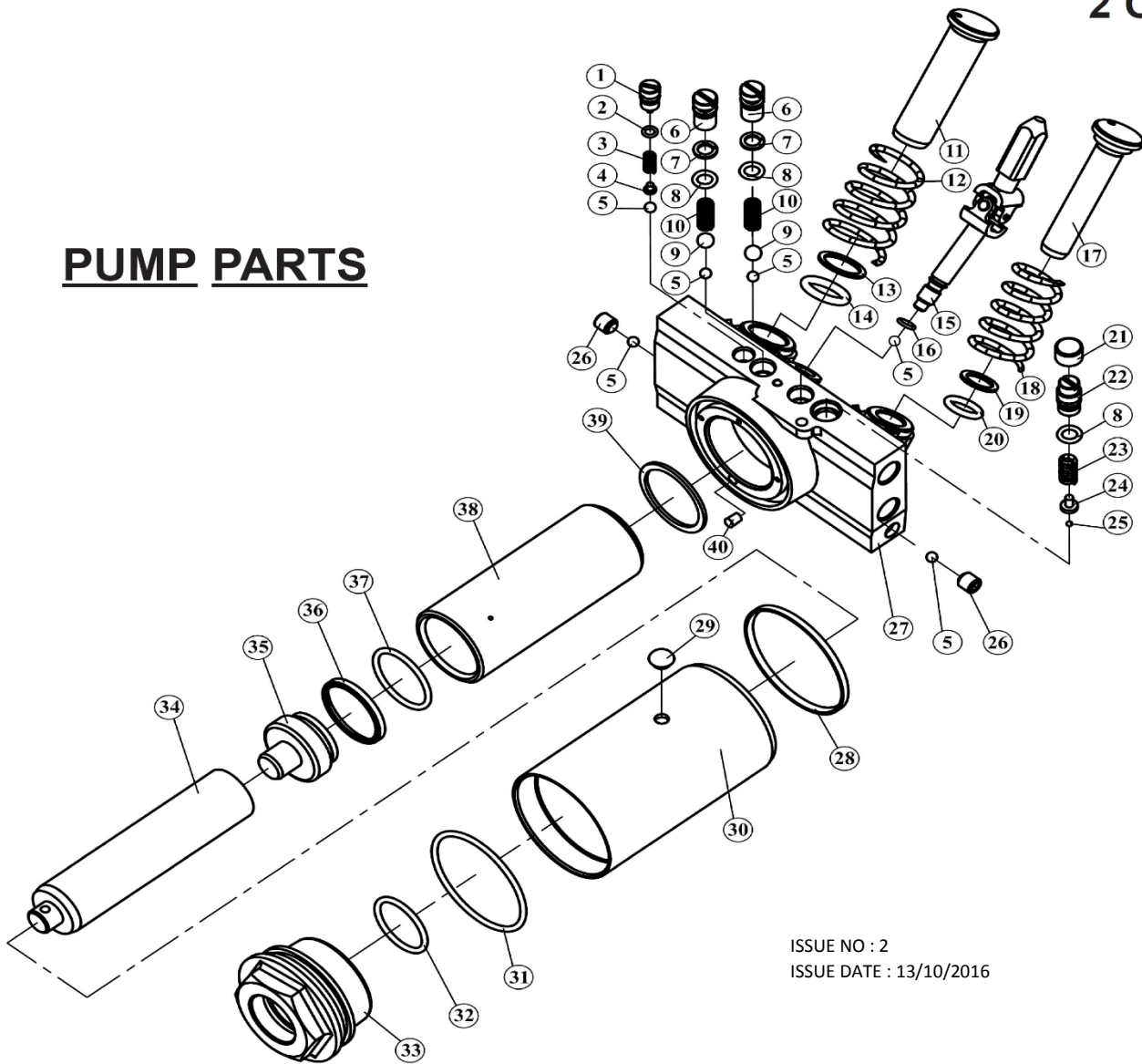


ISSUE NO : 2
 ISSUE DATE : 13/10/2016



ITEM	PART NO	DESCRIPTION	ITEM	PART NO	DESCRIPTION
1	3012CXD.01	LIFTING ARM ASS'Y	19	3012CXD.19	SADDLE ASSEMBLY
2	3012CXD.02	HANDLE ASS'Y	20	3012CXD.20	COTTER PIN (4x40)
3	3012CXD.03	HANDLE SOCKET	21	3012CXD.21	WASHER (M16)
4	3012CXD.04	HANDLE SCREW	22	3012CXD.22	NUT (M16)
5	3012CXD.05	COVER PLATE	23	3012CXD.23	WASHER FOR LINKING BOLT
6	3012CXD.06	FRAME ASSEMBLY	24	3012CXD.24	LINKING BOLT
7	3012CXD.07	WASHER (M12)	25	3012CXD.25	RETAINING RING
8	3012CXD.08	NUT (M12)	26	3012CXD.26	SUPPORT SHAFT
9	3012CXD.09	SCREW (M12x25)	27	3012CXD.27	RETAINING RING
10	3012CXD.10	REAR WHEEL ASSEMBLY	28	3012CXD.28	SUPPORT SHAFT
11	3012CXD.11	RETURN SPRING	29	3012CXD.29	BOLT, RIGHT
12	3012CXD.12	HYDRAULIC UNIT ASS'Y	30	3012CXD.30	WASHER (M12)
13	3012CXD.13	SLEEVE	31	3012CXD.31	HANDLE SOCKET PIN (SHORT)
14	3012CXD.14	BOLT, LEFT	32	3012CXD.32	HANDLE SOCKET PIN (LONG)
15	3012CXD.15	WASHER (M18)	33	3012CXD.33	CONNECTING ROD
16	3012CXD.16	WASHER	34	3012CXD.34	HANDLE SOCKET ROD
17	3012CXD.17	FRONT WHEEL	35	3012CXD.35	WASHER (M10)
18	3012CXD.18	WASHER (M15)	36	3012CXD.36	NUT (M10)

PUMP PARTS



ISSUE NO : 2
 ISSUE DATE : 13/10/2016

ITEM	PART NO	DESCRIPTION	ITEM	PART NO	DESCRIPTION
1	3012CXD.P01	OVERLOAD VALVE NUT	21	3012CXD.P21	PLUG
2	3012CXD.P02	O-RING	22	3012CXD.P22	OVERLOAD VALVE NUT
3	3012CXD.P03	SAFETY VALVE SPRING	23	3012CXD.P23	SAFETY VALVE SPRING
4	3012CXD.P04	SPRING BASE	24	3012CXD.P24	SAFETY VALVE SPRING BASE
5	3012CXD.P05	STEEL BALL (6mm)	25	3012CXD.P25	STEEL BALL (3mm)
6	3012CXD.P06	OIL FILLER PLUG	26	3012CXD.P26	LOCK BOLT (M10)
7	3012CXD.P07	RETAINING RING	27	3012CXD.P27	BASE PLATE
8	3012CXD.P08	O-RING	28	3012CXD.P28	U-WASHER
9	3012CXD.P09	STEEL BALL (9mm)	29	3012CXD.P29	OIL FILLER PLUG
10	3012CXD.P10	SPRING	30	3012CXD.P30	RESERVOIR
11	3012CXD.P11	PLUNGER (LARGE)	31	3012CXD.P31	O-RING
12	3012CXD.P12	PLUNGER SPRING (LARGE)	32	3012CXD.P32	O-RING
13	3012CXD.P13	RETAINING RING	33	3012CXD.P33	TOP CAP
14	3012CXD.P14	O-RING	34	3012CXD.P34	PISTON ROD
15	3012CXD.P15	DISCHARGE VALVE ASS'Y	35	3012CXD.P35	PISTON
16	3012CXD.P16	O-RING	36	3012CXD.P36	BOWL WASHER
17	3012CXD.P17	PLUNGER (SMALL)	37	3012CXD.P37	O-RING
18	3012CXD.P18	PLUNGER SPRING (SMALL)	38	3012CXD.P38	CYLINDER
19	3012CXD.P19	RETAINING RING	39	3012CXD.P39	RECTANGLE RING
20	3012CXD.P20	O-RING	40	3012CXD.P40	OIL FILTER