

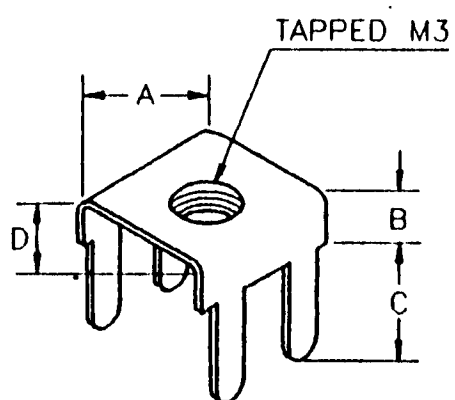
PCB Connectors

Order code	Manufacturer code	Description
33-4060	n/a	PACK OF 25 M3 TAPPED TERMINAL

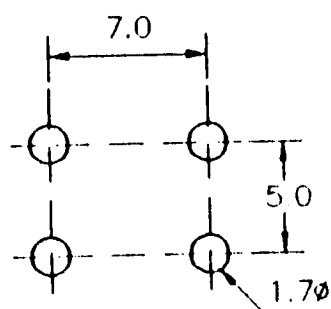
PCB Connectors	Page 1 of 2
The enclosed information is believed to be correct, Information may change 'without notice' due to product improvement. Users should ensure that the product is suitable for their use. E. & O. E.	Revision A 04/07/2003

TAPPED M3 PCB TERMINAL

- Material: Brass
- Unit: mm



A	B	C	D
7.8	3.6	4.9	7.8



HOLE IN PCB