

5V Miniature Electronic Buzzer Ø 12mm



DESCRIPTION

A 5V miniature electronic buzzer with a loud 85dB sound.

DISTINCTIVE FEATURES

- Potted base protects against flux contamination
- Masking label over sound hole prevents ingress of liquid cleaners when board cleaning
- Dimensions Ø12mm x 7.5mm
- Rated voltage 5V DC
- Sound output 85dB
- Housing material PBT
- Solder pins for direct mounting to PCBs

APPLICATIONS

The buzzer is ideal for applications such as telephone timers, calling devices, clocks, electronic toys and safety equipment. Also Suitable for inclusion in miniature electronics instrumentation projects.

Ø 12
mm

5VDC

30mA

85dB



ELECTRICAL SPECIFICATION

Rated Voltage	5V DC
Operating Voltage	4 to 8V DC
Rated current	30mA 5V DC



GENERAL SPECIFICATION

Type	Electronic buzzer
Resonant Frequency	3.1kHz \pm 0.5kHz
Sound Pressure Level min.	85dB @ 10cm
Response Time	50ms



MATERIALS

Material	PBT
Colour	Black



ENVIRONMENTAL/OPERATING SPECIFICATION

Operating Temperature	-20°C to +70°C
-----------------------	----------------



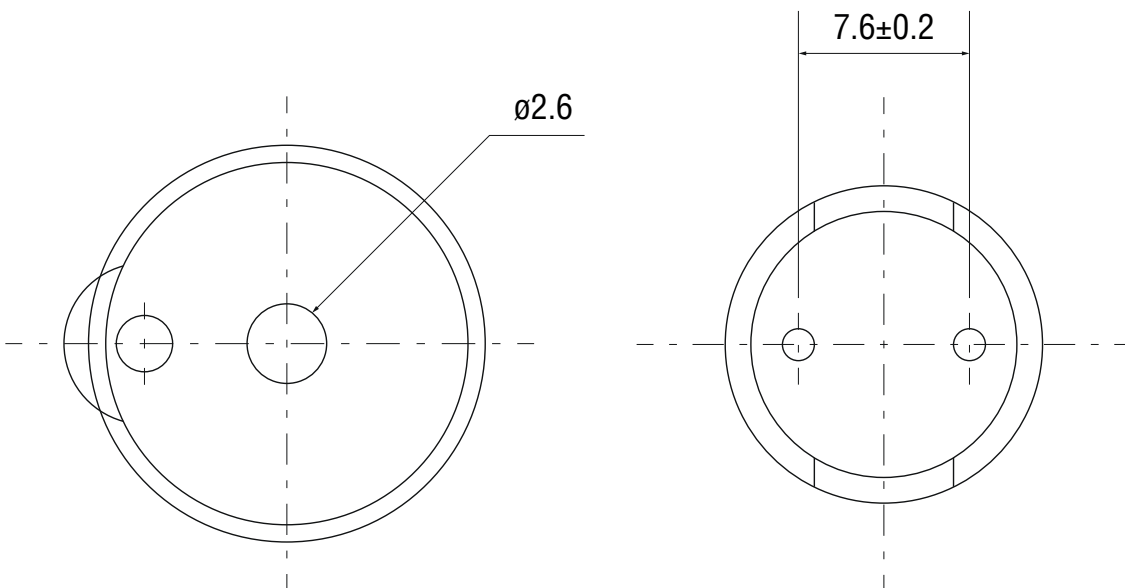
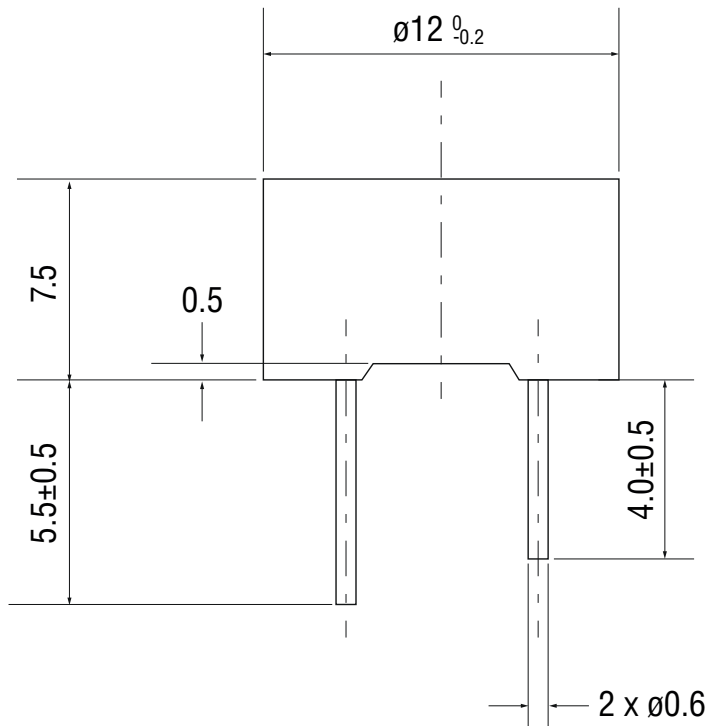
TERMINALS

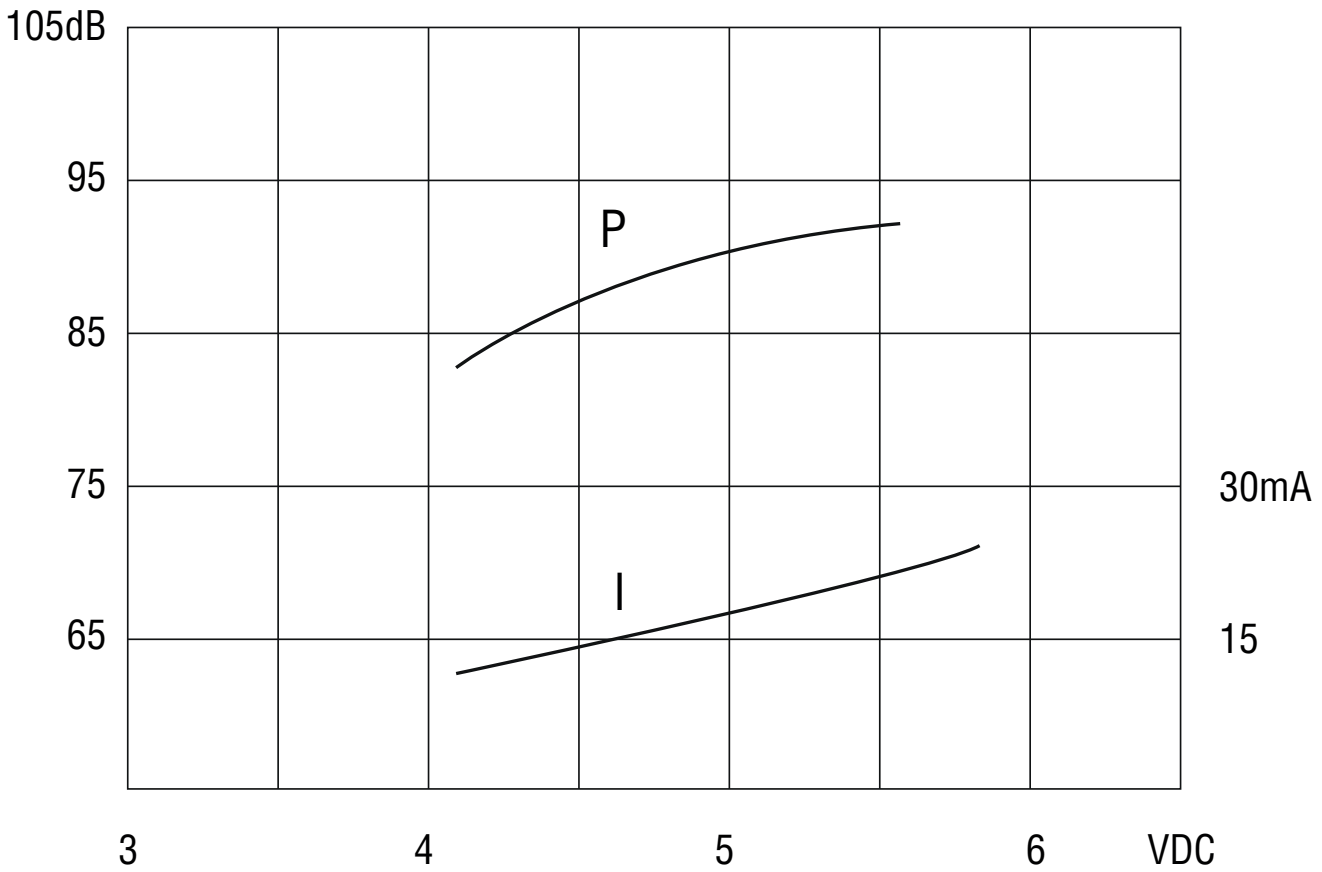
Termination	Solder pins
Pin Length (long)	5.5mm
Pin Length (short)	4.0mm
Pitch	7.6mm
Pin diameter	0.6mm



DIMENSIONS/DRAWINGS

Units	mm - unless stated otherwise
Dimensions	Ø12 x 7.5mm
Weight	2g





PART NUMBER TABLE

Part Number	EAN	UNSPSC	Country of Origin
35-0905	5053556002146	41112101	China



Tried & trusted technology

Important Notice: This data sheet and its contents (the "Information") belong to Rapid Electronics Limited or are licensed to it. No licence is granted for the use of it other than for information purposes in connection with the products to which it relates. No licence of any intellectual property rights is granted. The Information is subject to change without notice and replaces all data sheets previously supplied. The Information supplied is believed to be accurate but Rapid Electronics Limited assumes no responsibility for its accuracy or completeness, any error in or omission from it or for any use made of it. Users of this data sheet should check for themselves the Information and the suitability of the products for their purpose and not make any assumptions based on information included or omitted. Liability for loss or damage resulting from any reliance on the Information or use of it (including liability resulting from negligence or where Rapid Electronics Limited were aware of the possibility of such loss or damage arising) is excluded. This will not operate to limit or restrict Rapid Electronics Limited's liability for death or personal injury resulting from its negligence.