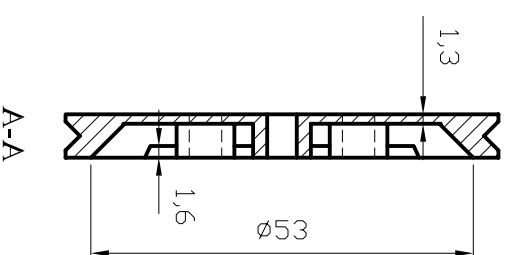
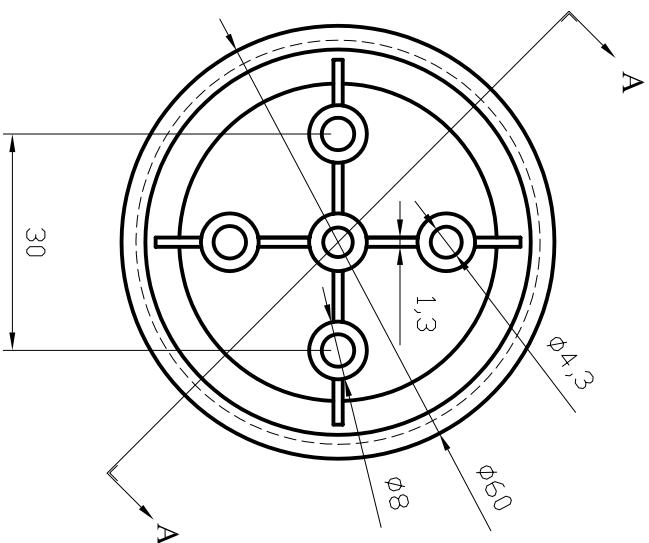
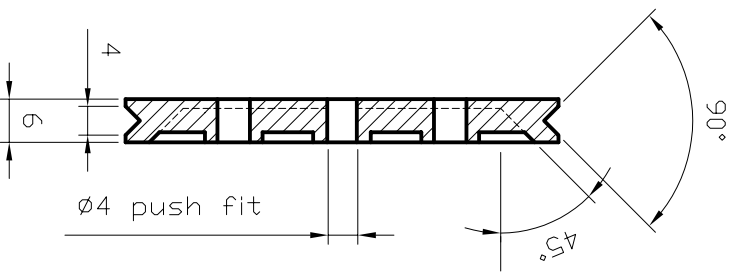


THIRD ANGLE PROJECTION

ALL DIMENSIONS IN MILLIMETERS

IF IN DOUBT ASK

TOLERANCES UNLESS OTHERWISE STATED	
GENERAL TOLERANCES	
NO DECIMAL PLACES	± 1 mm
ONE DECIMAL PLACE	± 0,3 mm
TWO DECIMAL PLACE	± 0,1 mm
ANGLES	± 1°



4160 Ø4 push fit Pulley

11-7-01		1
date		issue

MATERIAL: POLYPROPYLENE

drawn

checked

date

DESCRIPTION: Ø 60 PULLEY Ø4 bore

COMP. No.:

SCALE: 1 : 1

FINISH: RED

PROD CODE:

DRAWING No: 009