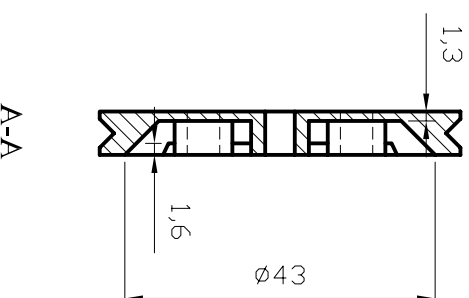
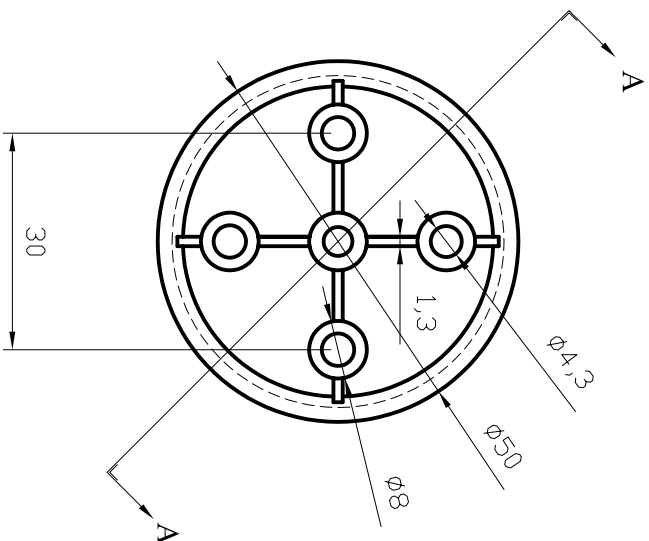
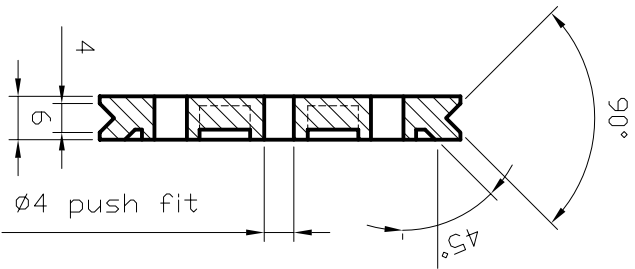


THIRD ANGLE PROJECTION

ALL DIMENSIONS IN MILLIMETERS

IF IN DOUBT ASK

TOLERANCES UNLESS OTHERWISE STATED	
GENERAL TOLERANCES	
NO DECIMAL PLACES	± 1 mm
ONE DECIMAL PLACE	± 0,3 mm
TWO DECIMAL PLACE	± 0,1 mm
ANGLES	± 1°



4150 Ø4 push fit Pulley

11-7-01		1
date		issue

MATERIAL:	POLYPROPYLENE	drawn	checked	date	DESCRIPTION: Ø 50 PULLEY Ø4 bore
SCALE:	1 : 1	FINISH:	RED		PROD CODE:
					COMP. No.:
					DRAWING No: 009