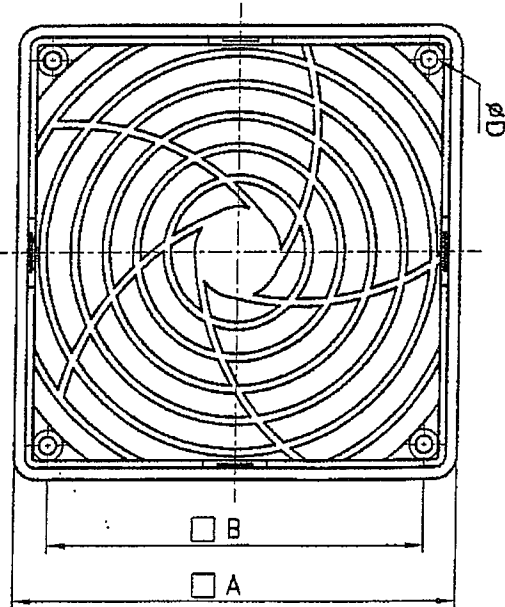
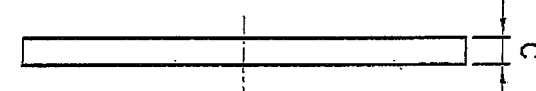
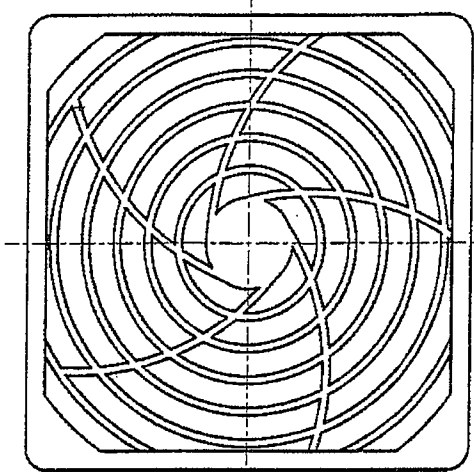


Box Fans

Order code	Manufacturer code	Description
37-0878	n/a	FAN GUARD AND FILTER - 120MM (RC)

Box Fans	Page 1 of 2
The enclosed information is believed to be correct, Information may change without notice due to product improvement. Users should ensure that the product is suitable for their use. E. & O. E.	Revision A 20/02/2007



ITEM NO.	MODEL NO.	PART NO.	A±0.5	B±0.5	C±0.5	∅D
04	GRM-040	MCR154001204A	45.50	32.00	8.00	$\phi 4.30^{+0.3}$
03	GRM-060	MCR154001203A	66.00	50.00	9.00	$\phi 4.50^{+0.2}$
02	GRM-080	MCR154001202A	84.50	71.50	10.00	$\phi 5.00^{+0.2}$
01	GRM-090	MCR154001201A	97.00	82.00	10.00	$\phi 5.00^{+0.2}$
00	GRM-120	MCR154001200A	125.00	104.00	10.00	$\phi 5.00^{+0.1}$

REVISIONS

GRM-040	WAS	FG-040
GRM-060	WAS	FG-060
GRM-080	WAS	FG-080
GRM-090	WAS	FG-090
GRM-120	WAS	FG-120
S.M.HUNG		000710

機密

89.8.18
研發部

經允許，不得複印

MODEL NO.	SEE CHART	PART NO.	SEE CHART
DESCRIPTION	三合一護網		
MATERIAL	ABS 94V-0		
FINISH	BLACK		
SCALE	1:2 MM		
QTY/UNIT	1		
DWN. BY	S.M.HUNG 000301		
CHKD BY	[Signature]		
APPD BY	[Signature]		
DWG. NO.	A400120		
REV.	A		

UNLESS OTHERWISE SPECIFIED, THE FOLLOWING APPLIES:
 GENERAL WALL THICKNESS= MM; DRAFTS= DEG.
 TOLERANCE LINEAR ± 0.1 MM; ANGULAR: ± 0.5 DEG.
 IMPORTANT: DO NOT SCALE DRAWING. ASK IN CASE OF QUERY